

523



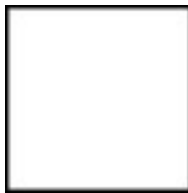
Description

High-Output Base, Double Contact, Standard Fluorescent Lampholder, Snap-In, Plunger, Quickwire 18AWG Solid or Str Tinned - White

Product Features

- Lamp Base: High-Output
- Lamp Contacts: Double Contact
- Mounting Type: Snap-In
- Panel Thickness: .035 - .050
- Contact Type: Plunger
- Termination: Quickwire 18AWG Solid or Str Tinned
- Rated Wattage: 660W
- Color: White
- Standards and Certifications: UL/CSA
- Warranty: 1 Year Limited
- Availability: Distribution

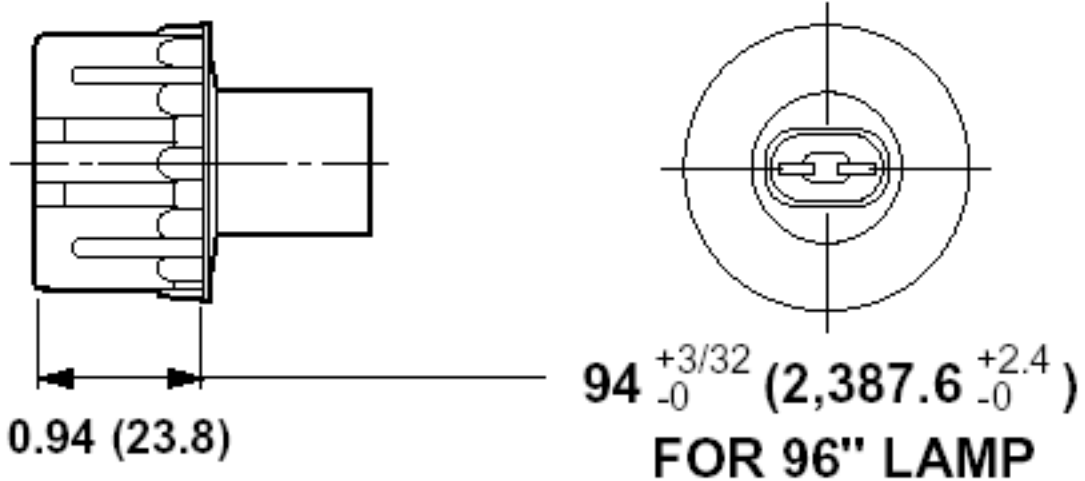
Color: White



Electrical Specifications	
Voltage	1000 Volt
Rated Wattage	660W
Mechanical Specifications	
Mounting Type	Snap-In
Panel Thickness	.035 - .050
Contact Type	Plunger
Termination	Quickwire 18AWG Solid or Str Tinned

Material Specifications	
Body Material	Thermoplastic
Contact Material	Silver-Plated Copper-Alloy
Color	White
Availability	Distribution
Standards and Certifications	
UL Listed	File E5833
CSA Certified	File LR-5863

HIGH OUTPUT 800 MA & 1500 MA



Cat. No. 523

SPECIFICATION SUBMITTAL

JOB NAME: <input type="text"/>	CATALOG NUMBERS: <input type="text"/>	
JOB NUMBER: <input type="text"/>	<input type="text"/>	<input type="text"/>

Leviton Manufacturing Co., Inc.

59-25 Little Neck Parkway, Little Neck, NY 11362-2591
Telephone: 1-800-323-8920 · FAX: 1-800-832-9538 · Tech Line (8:30AM-7:30PM E.S.T. Monday-Friday): 1-800-824-3005

Leviton Manufacturing of Canada, Ltd.

165 Hymus Boulevard, Pointe Claire, Quebec H9R 1E9 · Telephone: 1-800-469-7890 · FAX: 1-800-824-3005

Leviton S. de R.L. de C.V.

Lago Tana 43, Mexico DF, Mexico CP 11290 · Tel.: (+52)55-5082-1040 · FAX: (+52)5386-1797 · www.leviton.com.mx



Visit our Website at: www.leviton.com

©2007 Leviton Manufacturing Co., Inc. All rights reserved. Subject to change without notice.