

PRODUCT PROFILE

CURRENT TRANSFORMER

MODEL 1411-2

Application

Relaying and metering.

Frequency

50-400 Hz.

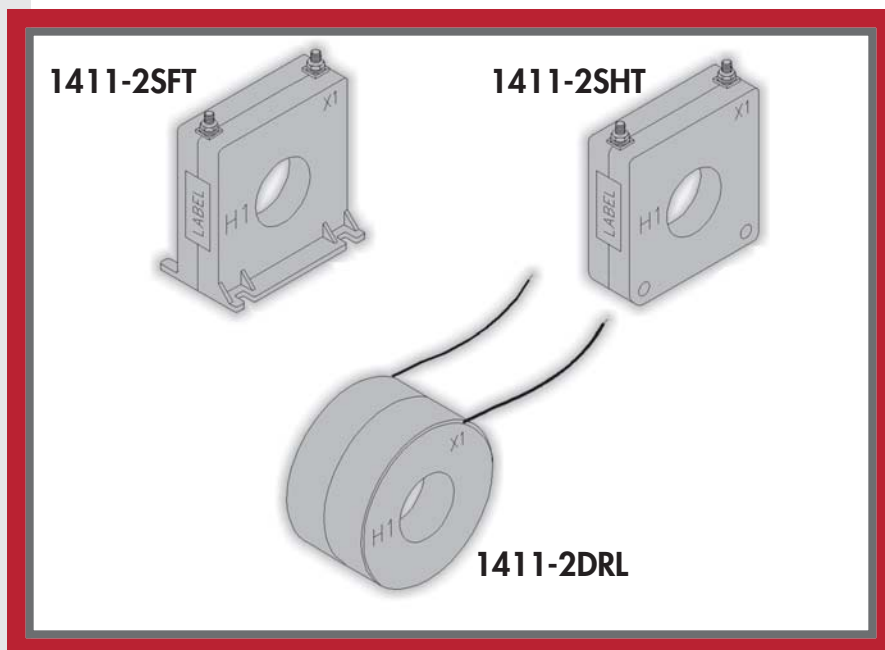
Insulation Level

0.6kV, 10 kV BIL full wave.

Rating Factor

2.0 @ 30°C amb.

- Flexible leads are UL 1015 105 °C, CSA approved, #16 AWG, 24" long.
- Terminals are brass studs No.8-32 UNC with one flat washer, lockwasher and regular nut.
- Approximate weight 0.5 lbs.



WINDOW DIAMETER 1.00", 1.13"

REGULATORY AGENCY APPROVALS

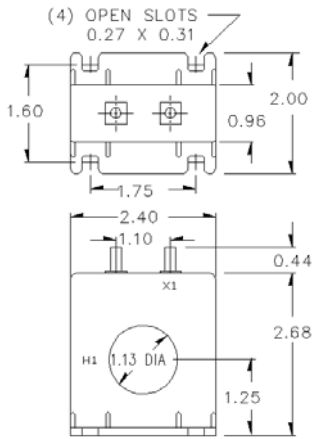


Manufactured to meet the requirements of
ANSI/IEEE C57.13.

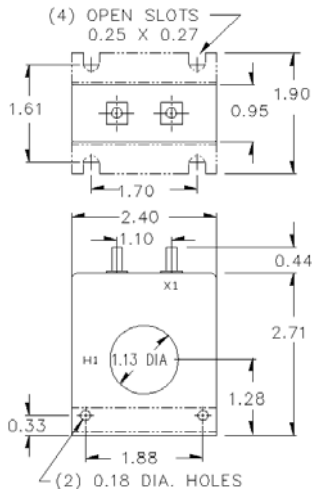
Classified by U.L. in accordance with IEC 44-1

SPECIFICATIONS

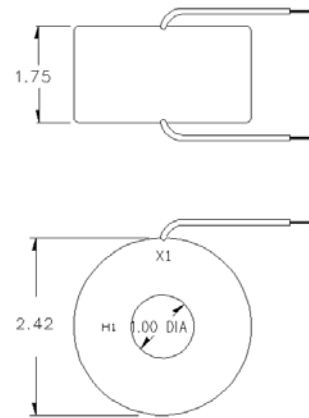
1411-2SFT



1411-2SHT



1411-2DRL



CATALOG NUMBER	CURRENT RATIO	MODELS 2SFT, 2SHT		MODEL 2DRL	
		ACCURACY AT 60 Hz	BURDEN VA AT 60 Hz	ACCURACY AT 60 Hz	BURDEN VA at 60 Hz
1411 - 2 ** - 500	50:5	± 3 %	1.5	± 2 %	1.5
1411 - 2 ** - 600	60:5	± 3 %	2.0	± 2 %	2.0
1411 - 2 ** - 750	75:5	± 2 %	2.0	± 2 %	3.0
1411 - 2 ** - 800	80:5	± 2 %	2.0	± 2 %	4.0
1411 - 2 ** - 101	100:5	± 1 %	2.0	± 1 %	5.0
1411 - 2 ** - 121	120:5	± 1 %	2.5	± 1 %	5.0
1411 - 2 ** - 1250	125:5	± 1 %	2.5	± 1 %	5.0
1411 - 2 ** - 151	150:5	± 1 %	4.0	± 1 %	8.0
1411 - 2 ** - 201	200:5	± 1 %	4.0	± 1 %	10.0
1411 - 2 ** - 251	250:5	± 1 %	6.0	± 1 %	12.5
1411 - 2 ** - 301	300:5	± 1 %	8.0	± 1 %	15.0

** NOTE: When ordering, prefix Cat. No. with model designation required, i.e. 1411-2SFT-301 OR 1411-2DRL-301, etc.

www.rockwellautomation.com

Power, Control and Information Solutions Headquarters

Americas: Rockwell Automation, 1201 South Second Street, Milwaukee, WI 53204-2496 USA, Tel: (1) 414.382.2000, Fax: (1) 414.382.4444

Europe/Middle East/Africa: Rockwell Automation, Vorstlaan/Boulevard du Souverain 36, 1170 Brussels, Belgium, Tel: (32) 2 663 0600, Fax: (32) 2 663 0640

Asia Pacific: Rockwell Automation, Level 14, Core F, Cyberport 3, 100 Cyberport Road, Hong Kong, Tel: (852) 2887 4788, Fax: (852) 2508 1846