

Molded Case Circuit Breakers

Accessories

Current Transformer for Neutral Current



Representative Photo

Rated Current [A]	Frame Size	Cat. No.
300	K ★	140G-K-NCTD30
400	K ★	140G-K-NCTD40
600	M ★	140G-M-NCTD60
800	M ★	140G-M-NCTD80
400...1600	N, NS	140G-N-NCTE16
1000...3200	R	140G-R-NCTE30

★ Order with connector (Cat. No. 140G-K-CC).

Mechanical Accessories

Terminal Lugs

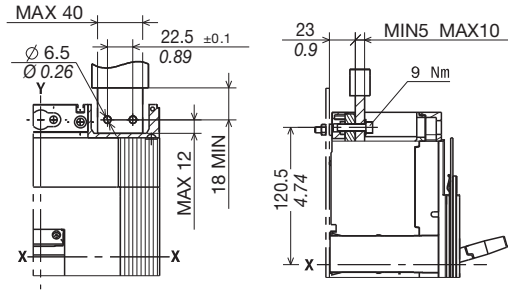
Description	Frame Size	Cat. No. (Pkg. Qty. 3)	Cat. No. (Pkg. Qty. 4)	
<p>Representative Photo</p>	G	Cu wire, MCCB only (1) 14...1/0 AWG or 2.5...70 mm ²	140G-G-TLC13	140G-G-TLC14
		Cu wire, MCP only (1) 14...1/0 AWG or 1.5...70 mm ²	140G-G-TLC13A	—
		Multiple cable - Cu wire (6) 14...2 AWG or 2.5...35 mm ²	140G-G-MTL63	140G-G-MTL64
		Cu wire only (1) 14...1/0 AWG or 2.5...95 mm ²	140G-H-TLC13	140G-H-TLC14
<p>Representative Photo</p>	H	Multiple cable - Cu wire (6) 14...2 AWG or 2.5...35 mm ²	140G-H-MTL63	140G-H-MTL64
		Al or Cu wire (1) 14...1/0 AWG or 2.5...50 mm ²	140G-I-TLA13	140G-I-TLA14
		Al or Cu wire (1) 4...300 MCM or 25...150 mm ²	140G-I-TLA1A3	140G-I-TLA1A4
		Cu wire only (1) 10...250 MCM or 6...185 mm ²	140G-I-TLC13	140G-I-TLC14
<p>Representative Photo</p>	I	Multiple cable - Cu wire (6) 12...2 AWG or 2.5...35 mm ²	140G-I-MTL63	140G-I-MTL64
		Al or Cu wire (1) 14...1/0 AWG or 2.5...50 mm ²	140G-J-TLA13	140G-J-TLA14
		Al or Cu wire (1) 4...300 MCM or 25...150 mm ²	140G-J-TLA1A3	140G-J-TLA1A4
		Al or Cu wire (1) 6 (Al)/10 (Cu)...350 MCM or 2.5...185 mm ² (Al)	140G-J-TLA1B3	140G-J-TLA1B4
		Cu wire only (1) 10...350 MCM or 6...185 mm ²	140G-J-TLC13	140G-J-TLC14
<p>Representative Photo</p>	J	Multiple cable - Cu wire (6) 12...2 AWG or 2.5...35 mm ²	140G-J-MTL63	140G-J-MTL64
		Al or Cu wire (1) 250...500 MCM or 120...240 mm ²	140G-K-TLA13	140G-K-TLA14
		Al or Cu wire (2) 2/0...250 MCM or 95...120 mm ²	140G-K-TLA23	140G-K-TLA24
		Cu wire only (1) 250...500 MCM or 120...240 mm ²	140G-K-TLC13	140G-K-TLC14
		Cu wire only (2) 2/0...250 MCM or 95...120 mm ²	140G-K-TLC23	140G-K-TLC24
<p>Representative Photo</p>	K	Multiple cable - Cu wire (6) 6...1/0 AWG or 16...50 mm ²	140G-K-MTL63	140G-K-MTL64
		Al or Cu wire (2) 250...500 MCM or 120...240 mm ²	140G-M-TLA23	140G-M-TLA24
		Al or Cu wire (3) 2/0...400 MCM or 70...185 mm ²	140G-M-TLA33	140G-M-TLA34
		Cu wire only (2) 3/0...350 MCM or 85...185 mm ²	140G-M-TLC23	140G-M-TLC24
		Cu wire only (3) 2/0...350 MCM or 70...185 mm ²	140G-M-TLC33	140G-M-TLC34
<p>Representative Photo</p>	M	Al or Cu wire (4) 4/0...500 MCM or 70...240 mm ²	140G-N-TLA43	140G-N-TLA44
		Cu wire only (4) 4/0...500 MCM or 70...240 mm ²	140G-N-TLC43	140G-N-TLC44
		Al or Cu wire (6) 1/0...750 MCM or 50...400 mm ²	140G-R-TLA63	—
		Cu wire only (6) 1/0...750 MCM or 50...400 mm ²	140G-R-TLC63	—
<p>Representative Photo</p>	N, NS			
		R		
		R		



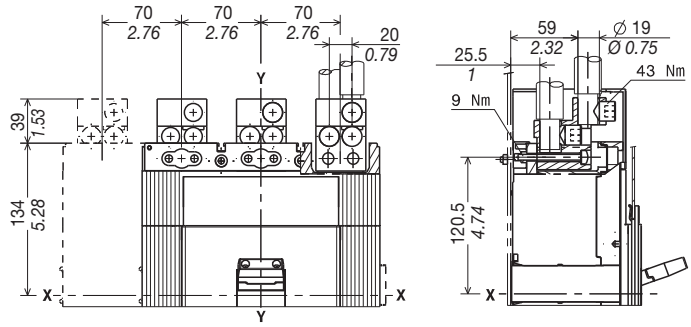
Molded Case Circuit Breakers

Approximate Dimensions — 800 A, M-Frame

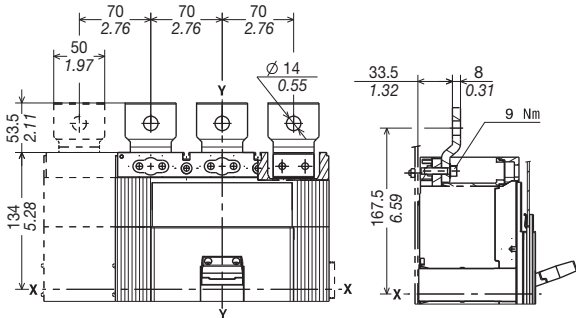
Cat. No. 140G-M-ECM Terminals



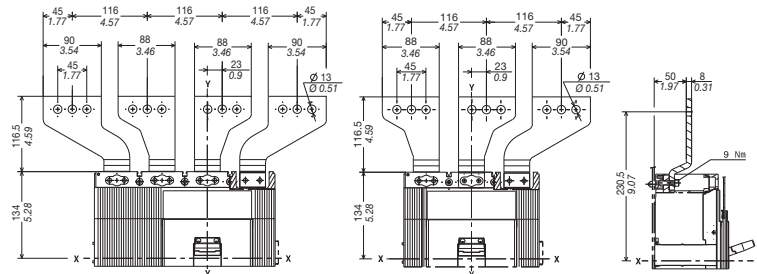
Cat. No. 140G-M-TLA23, -TLA24, -TLC23, -TLC24 Terminals



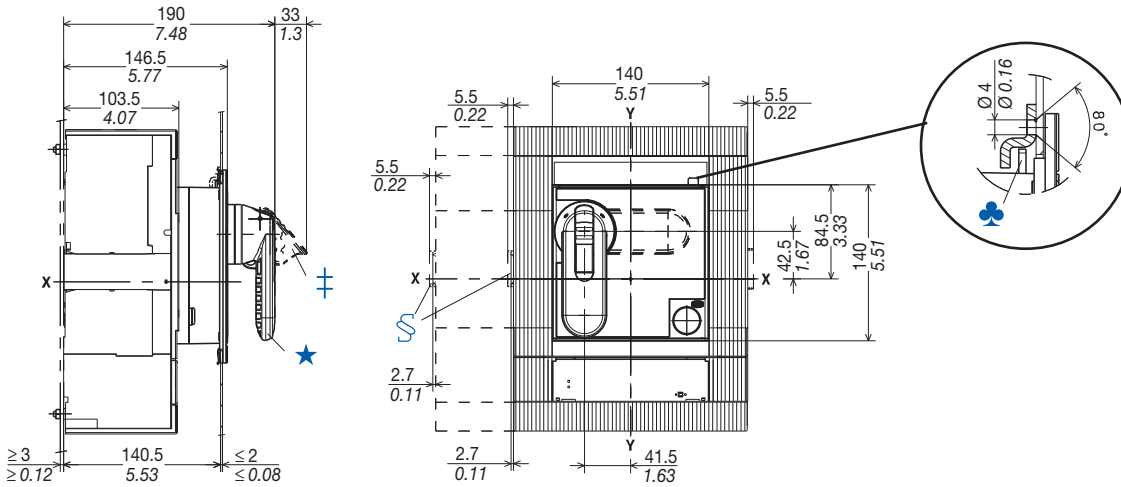
Cat. Nos. 140G-M-EXT3, -EXT4 Extended Terminals



Cat. Nos. 140G-M-EXSLI3, -EXSLO3, -EXS4 Spreader Terminals



Cat. No. 140G-M-RMB, -RMY Rotary Handle Operating Mechanism — Door Mounted



- ★ Rotary handle operating mechanism on molded case circuit breaker
- † Padlock device for open position (max. 3 padlocks; user provided)
- § Dimension with cabled early make contact
- ♣ Compartment door lock

Drilling template for compartment door

Flange for compartment door

