

"Z" SHAPE FITTINGS

FOR 1 5/8" (41 MM) WIDTH SERIES CHANNEL



1 5/8" Channels

Nuts & Hardware

General Fittings

Pipe/Conduit Supports

Electrical Fittings

Concrete Inserts

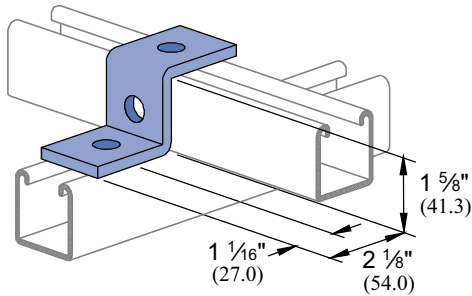
1 1/4" Framing System

1 3/16" Framing System

Spec. Metals & Fiberglass

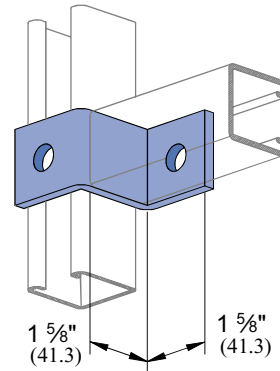
Index

P1045



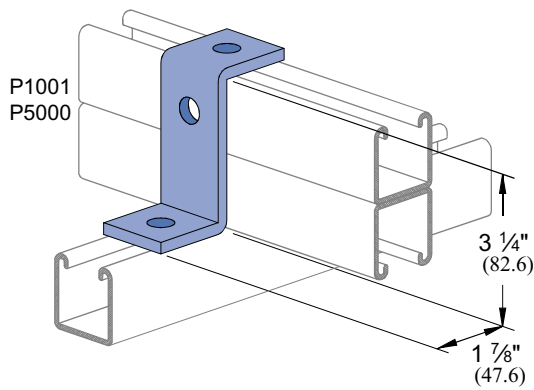
Wt/C 55 Lbs (24.9 kg)

P1347



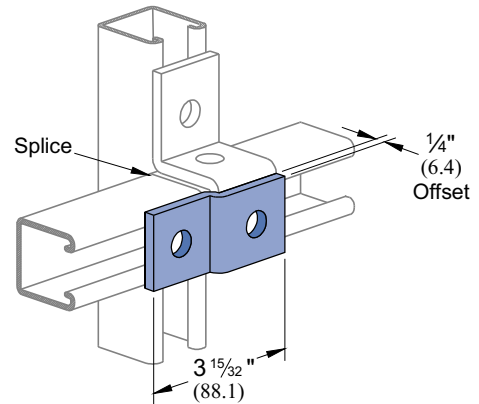
Wt/C 55 Lbs (24.9 kg)

P1453



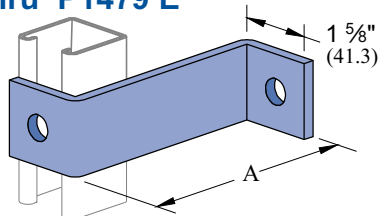
Wt/C 70 Lbs (31.8 kg)

P1454



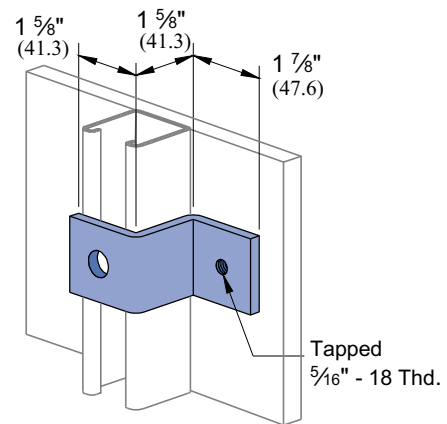
Wt/C 38 Lbs (17.2 kg)

P1479 A thru P1479 E



Part Number	"A" Dimension		Weight/C	
	In	mm	Lbs	kg
P1479 A	4	101.6	81	36.7
P1479 B	5	127.0	92	41.7
P1479 C	6	152.4	104	47.2
P1479 D	7	177.8	115	52.2
P1479 E	8	203.2	127	57.6

P1730



Wt/C 54 Lbs (24.5 kg)

Hole Size	Hole Spacing	Width	Thickness
5/16" Diameter 14.3 mm	1 3/16" (20.6 mm) From End 1 7/8" (47.6 mm) On Center	1 5/8" 41.3 mm	1/4" 6.4 mm