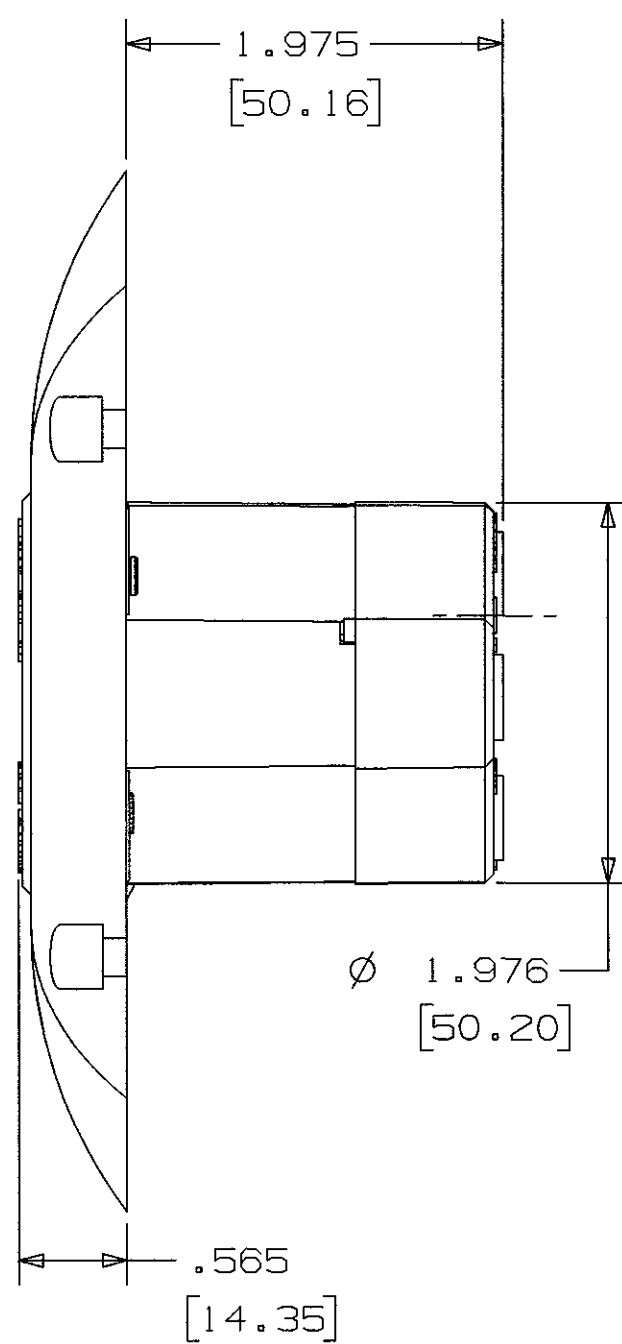
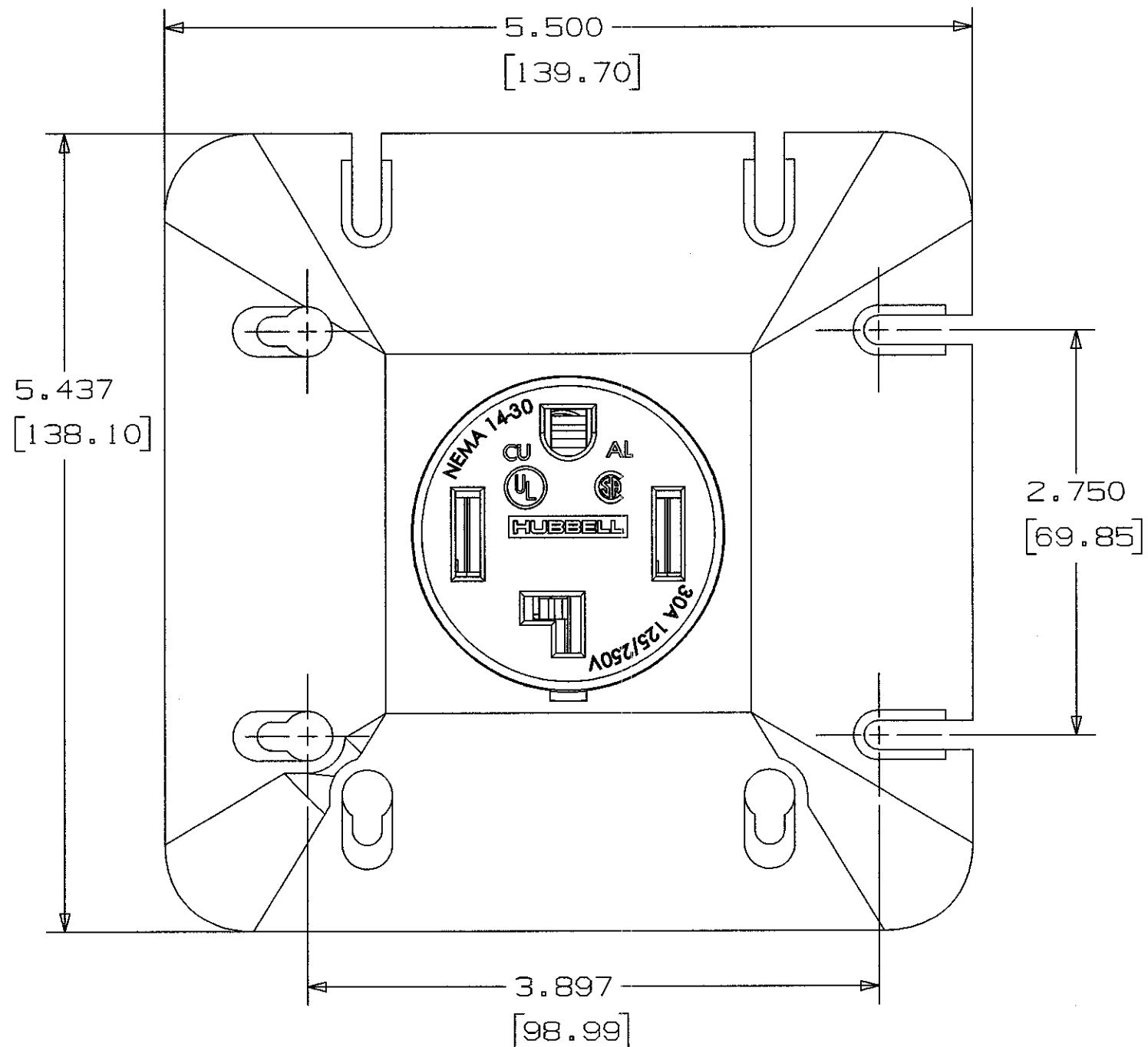


M-10047 2



LIST OF PARTS		
DESCRIPTION	MATERIAL	FINISH
WALLPLATE	PLASTIC	
HOUSING	PLASTIC	
CONTACTS	BRASS	
WIRE TERMINALS	ALUMINUM	TIN
TERMINAL SCREWS	STEEL	ZINC
MOUNTING SCREWS	STEEL	ZINC
GROUND SHUNT	BRASS	

DIMENSION SHEET FOR CAT. NO. RR430W1P
 REPAIRABLE NON-REPAIRABLE

SYM	REVISIONS	APP	DATE
2	11/21/07 REVISED VIEWS TO SHOW NEW 8 HOLE PLATE PER EC 14289	DMP	11/21/07
1	RELEASED PER DCN 13450 AMZ	DMP	11/17/06

THE DESIGN AND DIMENSIONS OF THE PRODUCT SHOWN ON THIS DRAWING ARE SUBJECT TO CHANGE WITHOUT NOTICE

TITLE
 FLUSH MOUNT POWER RECEP.
 4 WIRE 30AMP

TOLERANCES UNLESS OTHERWISE SPECIFIED FRACTIONS ± 1/64 DECIMALS ± .005 ANGLES ± 2°	WIRING DEVICE-KELLEMS HUBBELL INCORPORATED BRIDGEPORT, CT	
	DR. BY AMZ	APP. BY DMP
	TR. BY	SCALE NONE
	CHK'D BY DMP	DATE 11/15/06

- NOTES: (UNLESS OTHERWISE SPECIFIED)
1. ALL DIMENSIONS ARE INCHES [MM].
 2. FOR USE WITH ALUMINUM AND COPPER WIRE SOLID OR STRANDED.
 3. AWG WIRE RANGE #4-#10.
 4. MOUNTS ON 4 1/16" SQUARE BOX.
 4. (4) MOUNTING SCREWS - NOT SHOWN (#6 32UNC).