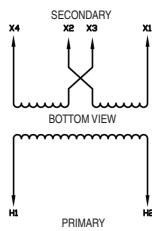


480V Primary with No Taps

Secondary — 120/240V

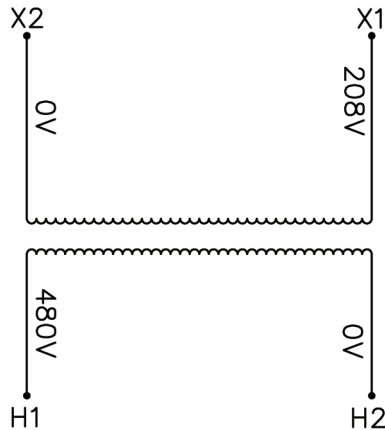


Primary — 480V

Winding	Voltage Accuracy [V]	Connect	Line
Primary	480	—	H1-H2
	240	X2-X3	X1-X4
Secondary	240/120*	X2-X3	X1-X3-X4
	120	X1X3-X2X4	X1-X4

Continuous kVA	Frequency [Hz]	Temp. Rise [°C (°F)]	Cat. No.
0.050	60	115 (239)	1497D-A1-M21-0-N
0.075			1497D-A2-M21-0-N
0.100			1497D-A3-M21-0-N
0.150			1497D-A4-M21-0-N
0.250			1497D-A6-M21-0-N
0.500			1497D-A9-M21-0-N
0.750			1497D-A10-M21-0-N
1.0			1497D-A11-M21-0-N
1.5			1497D-A12-M21-0-N
2.0			1497D-A13-M21-0-N
3.0	1497D-A14-M21-0-N	50/60	115 (239)
5.0	1497D-A15-M22-0-N		
7.5	1497D-A16-M22-0-N		
10.0	1497D-A17-M22-0-N		
15.0	1497D-A18-M22-0-N		
25.0	1497D-A20-M22-0-N		

Secondary — 208V

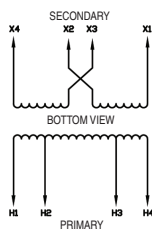


Primary — 480V

Continuous kVA	Frequency [Hz]	Temp. Rise [°C (°F)]	Cat. No.
0.050	60	115 (239)	1497D-A1-M24-0-N
0.075			1497D-A2-M24-0-N
0.100			1497D-A3-M24-0-N
0.150			1497D-A4-M24-0-N
0.250			1497D-A6-M24-0-N
0.500			1497D-A9-M24-0-N
0.750			1497D-A10-M24-0-N
1.0			1497D-A11-M24-0-N
1.5			1497D-A12-M24-0-N
2.0			1497D-A13-M24-0-N
3.0	1497D-A14-M24-0-N	50/60	115 (239)
5.0	1497D-A15-M24-0-N		
7.5	1497D-A16-M24-0-N		
10.0	1497D-A17-M24-0-N		
15.0	1497D-A18-M24-0-N		
25.0	1497D-A20-M24-0-N		

480V Primary with Two 5% Taps Below Rated Primary Volts

Secondary — 120/240V



Primary — 480V

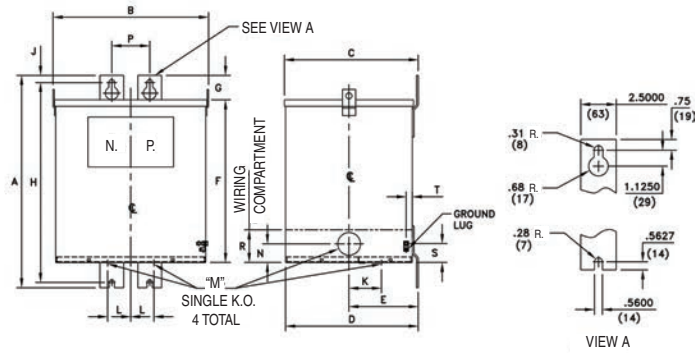
Winding	Voltage Accuracy [V]	Connect	Line
Primary	480	—	H1-H4
	456	—	H2-H4
	432	—	H2-H3
Secondary	240	X2-X3	X1-X4
	240/120*	X2-X3	X1-X3-X4
	120	X1X3-X2X4	X1-X4

Continuous kVA	Frequency [Hz]	Temp. Rise [°C (°F)]	Tap Quantity	Cat. No.
0.250	50/60	115 (239)	(2) 5% FCBN	1497D-A6-M22-0-2
0.500				1497D-A9-M22-0-2
0.750				1497D-A10-M22-0-2
1.0	60			1497D-A11-M21-0-2
	50/60			1497D-A11-M22-0-2
1.5	60			1497D-A12-M21-0-2
	50/60			1497D-A12-M22-0-2
2.0	60			1497D-A13-M21-0-2
	50/60			1497D-A13-M22-0-2
3.0	60			1497D-A14-M21-0-2
	50/60	1497D-A14-M22-0-2		
5.0	60	1497D-A15-M21-0-2		
7.5		1497D-A16-M21-0-2		
10.0		1497D-A17-M21-0-2		
15.0		1497D-A18-M21-0-2		
25.0		1497D-A20-M21-0-2		

* Three wire operation

Dimensions are shown in inches (millimeters). Dimensions are not intended to be used for manufacturing purposes.

Cat. No. 1491-R150
 Fuse Cover without Fuse



VA (Code)	Primary and Secondary Voltage	A	B	C	D	E	F	G	H	J	K	L
15000 (A18)	M14, M22	23-5/16 (592)	16-11/32 (415)	14- 1/8 (359)	14-1/16 (357)	7-25/64 (188)	18-1/16 (459)	2-19/32 (66)	22 (558)	3/4 (19)	3-7/16 (87)	2-7/16 (62)
25000 (A20)	M10, M11, M14, M20, M21, M22, M24	23-5/16 (592)	16-11/32 (415)	14- 1/8 (359)	14-1/16 (357)	7-25/64 (188)	18-1/16 (459)	2-19/32 (66)	22 (558)	3/4 (19)	3-7/16 (87)	2-7/16 (62)

VA (Code)	Primary and Secondary Voltage	M	N	P	R	S	T	Approximate Shipping Wt.
								lb (kg)
15000 (A18)	M14, M22	2 (51)	2-7/16 (62)	4 (102)	4-7/16 (113)	2 (51)	21/32 (17)	375 (170)
25000 (A20)	M10, M11, M14, M20, M21, M22, M24	2 (51)	2-7/16 (62)	4 (102)	4-7/16 (113)	2 (51)	21/32 (17)	375 (170)