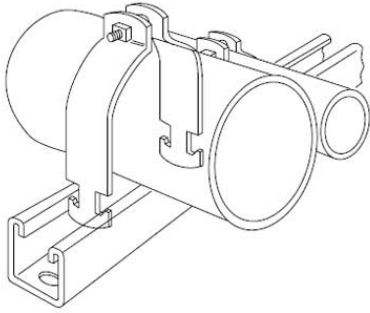


# Kindorf®



**T&B Catalog Number:** C 105 AL 1/2  
**UPC Number:** 78599175925  
**Description:** 4" Pre-galvanized steel square box surface cover, 1/2" deep, 5 cuin. For use with one ground fault receptacle and one toggle switch.  
**Status:** Active

### Features

- Kindorf® straps are pre-assembled for easy handling and sorting.
- Bolt head is combination slot and hex head for flexibility of attachment.
- Square nut is captivated on the shoulder for easy one-handed tightening.
- Straps are interchangeable with 1-5/8" strut for broader application.
- Pipe or conduit sizes are shown on the strap for easy identification.

### Application

For use with Rigid Conduit and Pipe.

### General

Material	Aluminum
Finish	Galv-Krom®;
Design Load (lbs)	750

### Dimension Information

Rigid Conduit/Pipe Size (inches)	1/2
Material Thickness (ga.)	14 ga.
O.D. Size (inches)	0.840

### Specifications

Engineering Data & Specifications- Metal- Available on Website  
 lic Channel

### Packaging

Package in Units	100
T&B Sold in UOM	Each
T&B Weight Per UOM	6.15 lbs. per 100

### Application Support

Metal Framing Systems	Available on Website
Finishes & Materials	Available on Website
Conduit-Cable & Pipe Supports	Available on Website

### Certifications

RoHS Compliance	Yes
-----------------	-----

**For further technical assistance, please contact us...**

Thomas & Betts - USA  
 8155 T&B Blvd.  
 Memphis, TN 38125  
 www.tnb.com

T&B Technical Support  
 MS 3B-50  
 8155 T&B Blvd.  
 Memphis, TN 38125

Hours: 7AM - 6PM CDT  
 Monday-Friday  
 Phone: (888) 862-3289  
 Fax: (901) 252-1321  
 Email:techsupport@tnb.com