

# Switch, Zigbee® Certified

## decora smart™



zigbee  
certified  
product

works with  
xfinity



### APPLICATION

Leviton's Decora Smart family of Zigbee enabled lighting controls are the perfect addition to any smart home automation system using a Zigbee hub, gateway, or controller. The DG15S Decora Smart 15A Switch is Zigbee 3.0 certified and includes the latest in Zigbee technology for inter-operability and network security. Zigbee uses mesh networking technology to provide quick, reliable, and secure communication to a wide variety of Zigbee certified smart products such as sensors, thermostats, locks, and more.

The DG15S provides On and Off of connected lighting via the manual Decora rocker switch or can be controlled wirelessly as part of a Zigbee network. The DG15S is also compatible with a wide variety of load types such as Incandescent, LED/CFL, and Fluorescent. The DG15S is built for performance with a 15A relay and is also rated for 1/2 HP motor loads.

When paired with a Zigbee compatible hub, gateway, or controller, the DG15S provides remote lighting control and can be included in scene-based lighting, schedules, and other home automation activities. Control lights from anywhere, reduce energy consumption, and enhance your home's wellness with customized lighting – all by making your favorite light fixtures smart – simply replace your current light switch with the DG15S and enroll it to your Zigbee hub, gateway, or controller of choice.

The DG15S can be controlled via Voice or App depending on the Zigbee hub it is paired to. Some common Smart Home hubs supporting Zigbee include the Xfinity Home Touch Screen, Amazon Echo Plus and Echo Show (2nd Gen), and Samsung SmartThings.

### Leviton Manufacturing Co., Inc. Global Headquarters

201 N. Service Rd. Melville, NY 11747-3138 Tech Line: 1-800-824-3005 Fax: 1-800-832-9538

### Leviton Manufacturing Co., Inc. Residential.

865 Fulton St., Suite 500, New Orleans, LA, 70130. Tel: 504 608-9001

Visit our Website at: [www.leviton.com/decorasmart](http://www.leviton.com/decorasmart)

©2020 Leviton Manufacturing Co., Inc. All rights reserved. Subject to change without notice.

For multi-location / three-way control, pair the DG15S with a DDOSR wired remote. Leviton's Decora Smart lighting controls are engineered to function with extremely sensitive, low-wattage light sources, such as a single LED bulb in a hallway or a strand of holiday lights, ensuring LEDs do not glow when off.

### AESTHETICS

The Decora Smart Zigbee 3.0 family of products leverage Leviton's popular rocker paddle, along with compatible accessories including three-way companion remotes, color change kits, and wall plates. The DG15S switch features true rocker action, pressing the top to turn on and the bottom to turn off.

To meet any décor, color change kits are available in white, ivory, light almond, gray, black, and brown. For the most professional installation and cleanest look, pair the device with an optional Leviton screwless wall plate.

### FEATURES AND BENEFITS

- Rated for CFL and LED loads up to 600W
- Rated for incandescent loads up to 1800W
- Multi-location (3-way) dimming is achieved using DDOSR-1 Coordinating Remote (no LED indicator) or DDOSR-DL Matching Remote (with LED indicator).
- White wall plate included

### AGENCY STANDARDS AND COMPLIANCE

- Complies with UL 917
- CSA Certified
- NOM Certified
- Complies with FCC Part 15, Class B
- Zigbee 3.0 Certified

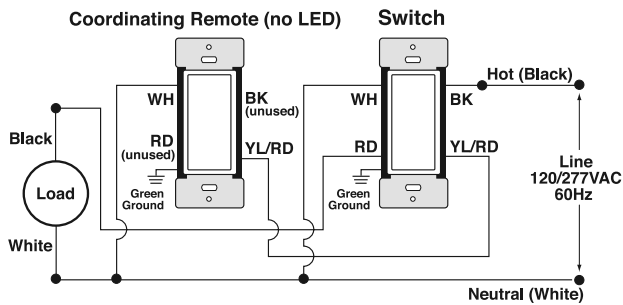
### RATINGS

- LED / CFL - 5A, 600W - 120VAC, 60Hz
- Resistive - 15A - 120VAC, 60Hz
- Incandescent/Halogen - 1800W - 120VAC, 60Hz
- Fluorescent - 1800VA - 120VAC, 60Hz; 8A (277VAC)
- Inductive - 1800VA - 120VAC, 60Hz
- Motor - 1/2 HP - 120VAC, 60Hz

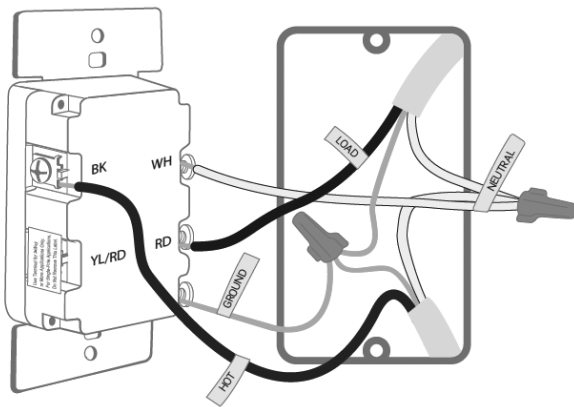
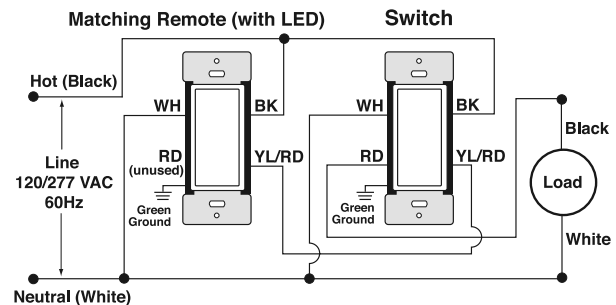
### WARRANTY INFORMATION

Five-Year Limited Warranty

**SINGLE POLE WIRING DIAGRAM**



**THREE-WAY WIRING DIAGRAM**



**ORDERING INFORMATION**

DESCRIPTION	CAT. NO.
Decora Smart Zigbee 3.0 Switch: 120/277V, 15A, neutral required, white wallplate included, Packed, 1/Box, 10/ Carton	DG15S-1BW
Coordinating Switch Remote	DD0SR-1
Matching Switch Remote	DD0SR-DL
Switch Color Change Kit, Black	DDKIT-0SE
Switch Color Change Kit, Gray	DDKIT-0SG
Switch Color Change Kit, Brown	DDKIT-0SB
Switch Color Change Kit, Ivory	DDKIT-0SI
Switch Color Change Kit, White	DDKIT-0SW
Switch Color Change Kit, Light Almond	DDKIT-0ST

**Leviton Manufacturing Co., Inc. Global Headquarters**  
 201 N. Service Rd. Melville, NY 11747-3138 Tech Line: 1-800-824-3005 Fax: 1-800-832-9538

**Leviton Manufacturing Co., Inc. Residential.**  
 865 Fulton St., Suite 500, New Orleans, LA, 70130. Tel: 504 608-9001

Visit our Website at: [www.leviton.com/decorasmart](http://www.leviton.com/decorasmart)  
 ©2020 Leviton Manufacturing Co., Inc. All rights reserved. Subject to change without notice.

SAT-10080  
 REV JUN 2020

Switch Zigbee® Certified