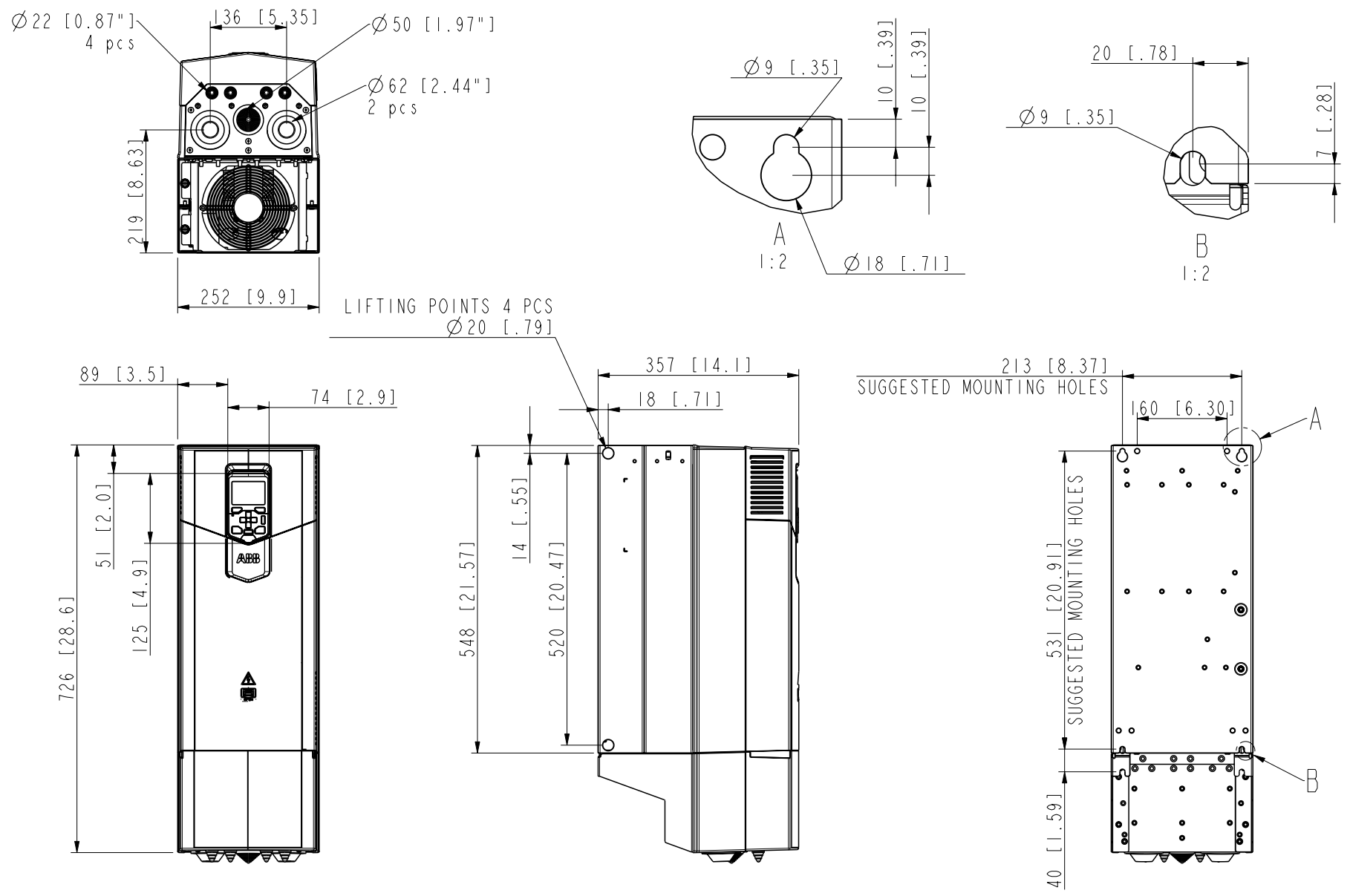


3AUA000098321
 SG-MAIN-ASSEMBLY (ASSEM)
 C.3+
 -.56
 Title updated
 IP55 added
 M. Nupponen
 12-Oct-11
 M. Kauranen
 27-Jul-12

We reserve all rights in this document and in the information contained therein. Reproduction, use or disclosure to third parties without express authority is strictly forbidden.
 © ABB Oy

First angle projection. Original drawing made with Pro/ENGINEER. Set the correct scale factor when adding dimensions after DWG/DXF conversion.



Based on	Prepared M. Kauranen 05-Sep-12	Title DIMENS. DRAWING	Doc. des.	Scale 1:10	Form A4	
Customer	Check. J. Savolainen 05-Sep-12	R6 DIMENSIONAL DRAWING	ASSEMBLY DRAWING	Lang. EN		
Cust. Doc. No.	Appr. J. Savolainen 05-Sep-12	ACS880 R6	Resp. dept. EJO	Rev. ind. C (AP)	Sheet 1	
ABB Ref. No.	Project name	ABB DRIVES	Doc. No.	3AUA0000098321	Total 2	
	Weight kg					