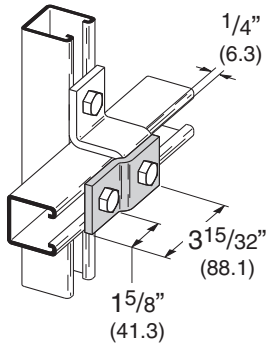


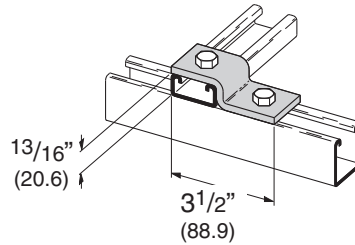
B526
TWO HOLE
OFFSET Z-SUPPORT

- Standard finishes: ZN, GRN
- Wt./C 38 Lbs. (17.2 kg)



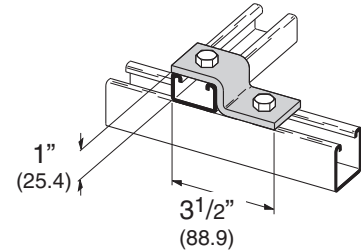
B106-52
TWO HOLE
Z-SUPPORT FOR B52

- Standard finishes: ZN, GRN
- Wt./C 40 Lbs. (18.1 kg)



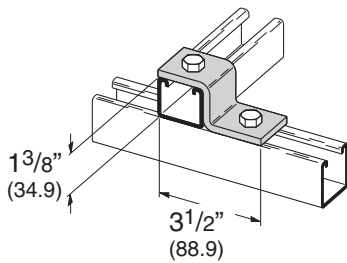
B106-42
TWO HOLE
Z-SUPPORT FOR B42

- Standard finishes: ZN, GRN
- Wt./C 44 Lbs. (20.0 kg)



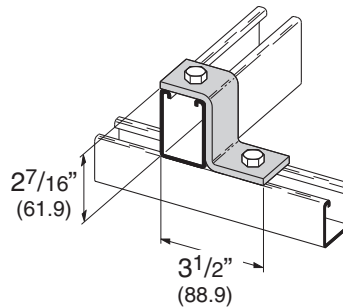
B106-32
TWO HOLE
Z-SUPPORT FOR B32

- Standard finishes: ZN, GRN
- Wt./C 51 Lbs. (23.1 kg)



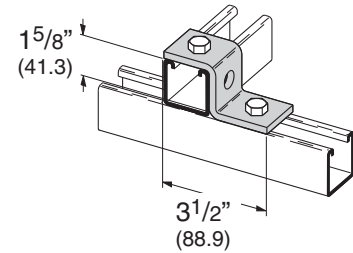
B106-12
TWO HOLE
Z-SUPPORT FOR B12

- Standard finishes: ZN, GRN
- Wt./C 63 Lbs. (28.6 kg)



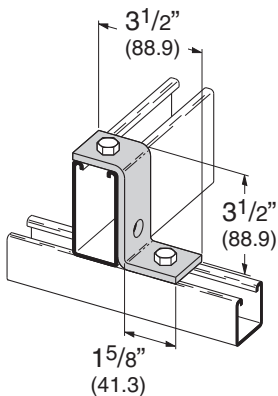
B105
THREE HOLE
Z-SUPPORT FOR B22

- Standard finishes: ZN, GRN, HDG
- Wt./C 51 Lbs. (23.1 kg)



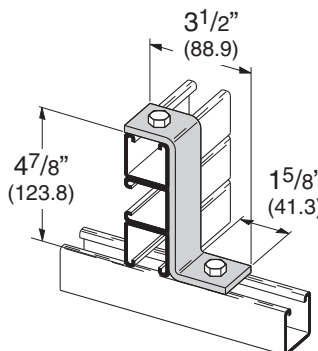
B110
THREE HOLE
Z-SUPPORT FOR B11

- Standard finishes: ZN, GRN
- Wt./C 70 Lbs. (31.7 kg)



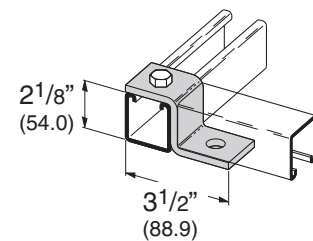
B586
TWO HOLE
Z-SUPPORT

- Standard finishes: ZN, GRN
- Wt./C 90 Lbs. (40.8 kg)



B108
TWO HOLE
OFFSET Z-SUPPORT

- Standard finishes: ZN, GRN
- Wt./C 55 Lbs. (24.9 kg)

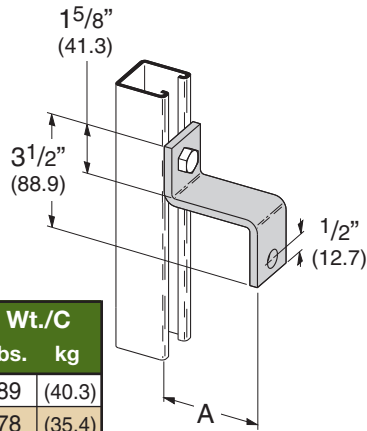


Reference page 72 for general fitting and standard finish specifications.

'Z' Fittings

B387 TWO HOLE Z-BUS DUCT CONNECTION

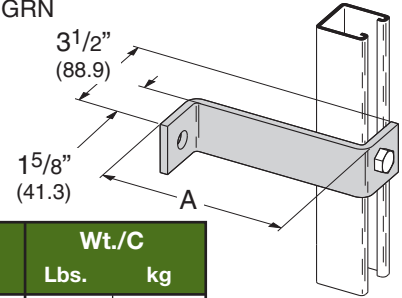
- Standard finishes: ZN, GRN



Part No.	A	(A)	Wt./C	
			Lbs.	kg
B387	4 ³ / ₄ "	(120.6)	89	(40.3)
B387-1	3 ²⁵ / ₃₂ "	(96.0)	78	(35.4)
B387-2	2 ¹³ / ₃₂ "	(61.1)	62	(28.1)

B407 TWO HOLE Z-SUPPORT

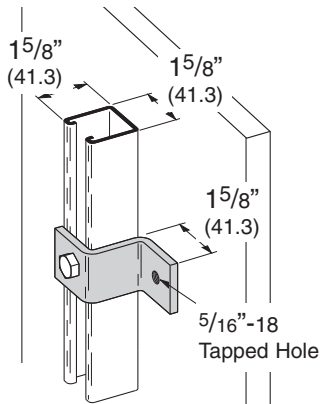
- Standard finishes: ZN, GRN



Part No.	A	(A)	Wt./C	
			Lbs.	kg
B407-4	4"	(101.6)	77	(34.9)
B407-5	5"	(127.0)	95	(43.1)
B407-6	6"	(152.4)	98	(44.4)
B407-7	7"	(177.8)	105	(47.6)
B407-8	8"	(203.2)	120	(54.4)
B407-9 ⁵ / ₈	9 ⁵ / ₈ "	(244.5)	138	(62.6)

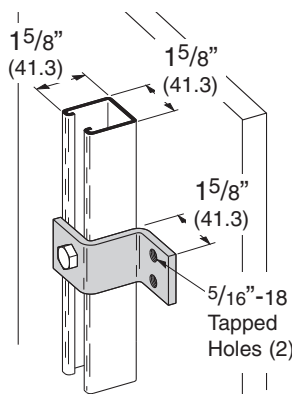
B534 TAPPED Z-SUPPORT

- Standard finishes: ZN
- Wt./C 51 Lbs. (23.1 kg)



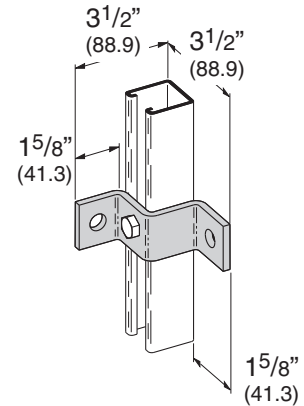
B535 TAPPED Z-SUPPORT

- Standard finishes: ZN
- Wt./C 50 Lbs. (22.7 kg)



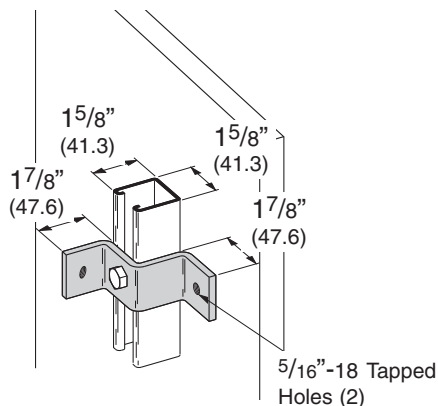
B111 THREE HOLE SHEATH CORNER CONNECTION

- Standard finishes: ZN, GRN
- Wt./C 68 Lbs. (30.8 kg)



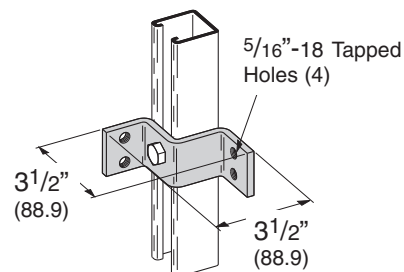
B538 TAPPED CORNER CONNECTION

- Standard finishes: ZN
- Wt./C 71 Lbs. (32.2 kg)



B539 TAPPED CORNER CONNECTION

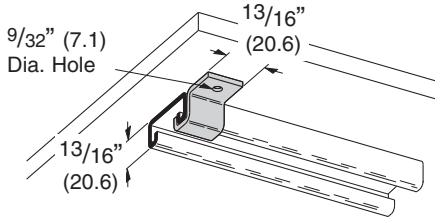
- Standard finishes: ZN
- Wt./C 68 Lbs. (30.8 kg)



Reference page 72 for general fitting and standard finish specifications.

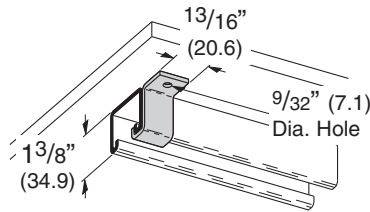
B410-52 CHANNEL HANGER BRACKET FOR B52

- Material: 11 Gauge (3.0)
ASTM A1011 HSLAS Gr. 50
- Standard finishes: ZN, GRN
- Wt./C 6.7 Lbs. (3.0 kg)



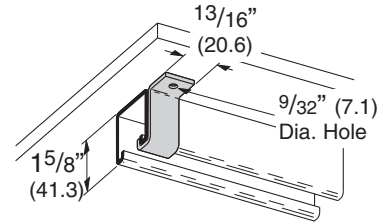
B410-32 CHANNEL HANGER BRACKET FOR B32

- Material: 11 Gauge (3.0)
ASTM A1011 HSLAS Gr. 50
- Standard finishes: ZN, GRN
- Wt./C 8.3 Lbs. (3.7 kg)



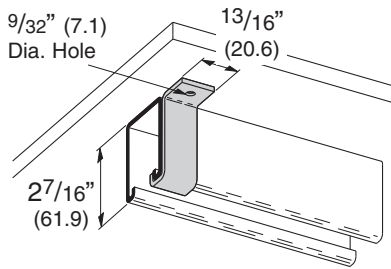
B410-22 CHANNEL HANGER BRACKET FOR B22

- Material: 11 Gauge (3.0)
ASTM A1011 HSLAS Gr. 50
- Standard finishes: ZN, GRN
- Wt./C 9 Lbs. (4.1 kg)



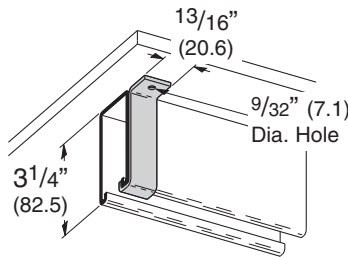
B410-12 CHANNEL HANGER BRACKET FOR B12

- Material: 11 Gauge (3.0)
ASTM A1011 HSLAS Gr. 50
- Standard finishes: ZN, GRN
- Wt./C 11.2 Lbs. (5.1 kg)



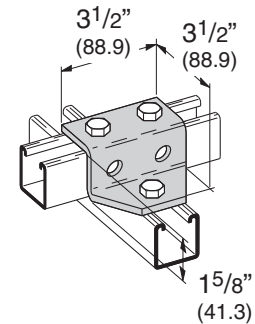
B410-11 CHANNEL HANGER BRACKET FOR B11

- Material: 11 Gauge (3.0)
ASTM A1011 HSLAS Gr. 50
- Standard finishes: ZN, GRN
- Wt./C 13.4 Lbs. (6.1 kg)



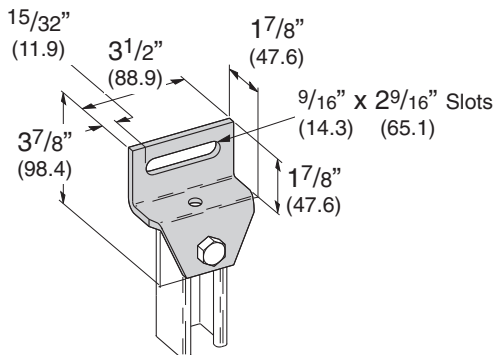
B580 FIVE HOLE GUSSETED Z-SUPPORT

- Standard finishes: ZN, GRN
- Wt./C 100 Lbs. (45.3 kg)



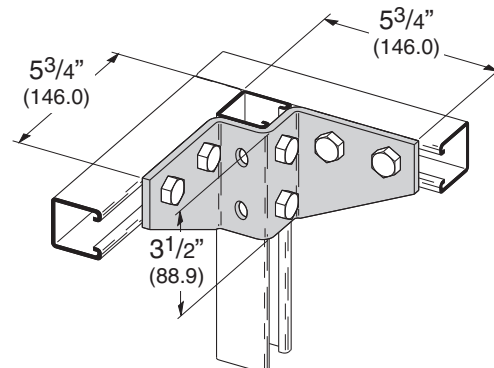
B515 ADJUSTABLE OFFSET GUSSETED Z-SUPPORT

- Standard finishes: ZN, GRN
- Wt./C 93 Lbs. (42.2 kg)



B428 EIGHT HOLE GUSSETED CORNER CONNECTION

- Standard finishes: ZN, GRN
- Wt./C 203 Lbs. (92.1 kg)



Reference page 72 for general fitting and standard finish specifications.