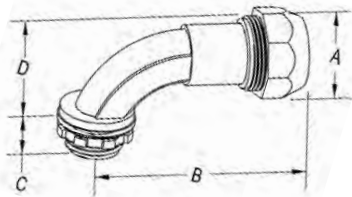
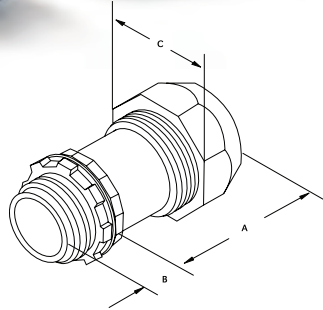


## Parking Deck & Parking Lot



### Features

- Designed for use with PVC Jacket MC cable (Parking Deck/Lot Cable™)
- Easy installation starts by stripping back PVC jacket at the end of cable, loosen the nut, slip cable into the connector until cable is fully inserted, then tighten the connector nut
- Tapered Threads
- Zinc die cast with external knockout gasket
- Tapered external NPT threads allow conductors to be installed in threaded boxes
- UL Listed "raintight" & concrete casement ★
- New 90° connector now available

### Applicable Third Party Standards

- UL Standard 514B
- Federal Specification A-A-50552
- ANSI/NEMA FB-1
- UL Listed File # E164166

★ Not suitable in direct burial (in the ground) applications

### Cable Size

- AFC-595-U, AFC-595-I: .610 Max. Armor & .720 Max. Jacket Fits sizes 12/2 – 10/3
- AFC-596-U, AFC-596-I: .685 Max. Armor & .800 Max. Jacket Fits sizes 10/4 – 8/3
- AFC895-U, AFC895-I: .610 Max. Armor & .720 Max. Jacket Fits sizes 12/2 – 10/3

| Product Code               | Catalog Number | Weight per/C | Trade Size | Dimensions in Inches |       |       | Carton Count |        |
|----------------------------|----------------|--------------|------------|----------------------|-------|-------|--------------|--------|
|                            |                |              |            | A                    | B     | C     | Inner        | Master |
| <b>Straight Connectors</b> |                |              |            |                      |       |       |              |        |
| 0124-15-00                 | AFC-595-U      | 19.1         | 3/8"       | 1.750                | 0.530 | 1.220 | 15           | 60     |
| 0125-15-00                 | AFC-595-I      | 19.1         | 3/8"       | 1.750                | 0.530 | 1.220 | 15           | 60     |
| 0126-15-00                 | AFC-596-U      | 19.5         | 1/2"       | 1.750                | 0.530 | 1.220 | 15           | 60     |
| 0127-15-00                 | AFC-596-I      | 19.5         | 1/2"       | 1.750                | 0.530 | 1.220 | 15           | 60     |

| Product Code          | Catalog Number | Weight per/C | Trade Size | Dimensions in Inches |       |       |       | Carton Count |        |
|-----------------------|----------------|--------------|------------|----------------------|-------|-------|-------|--------------|--------|
|                       |                |              |            | A                    | B     | C     | D     | Inner        | Master |
| <b>90° Connectors</b> |                |              |            |                      |       |       |       |              |        |
| 0128-10-00            | AFC-895-U      | 30.5         | 3/8"       | 1.310                | 2.750 | 0.530 | 1.250 | 10           | 40     |
| 0129-10-00            | AFC-895-I      | 30.5         | 3/8"       | 1.310                | 2.750 | 0.530 | 1.250 | 10           | 40     |