



PV Powered solAron siteguard

PVP2000 to PVP5200 String Inverters

Proven Reliability – With Integrated AC and DC PV System Disconnect Listed to the UL 98 Standard

Advanced Energy continues to deliver industry-leading reliability and technical innovations that lower the total cost of PV systems installation. PV Powered string inverters from Advanced Energy are now the only inverters equipped with AC/DC PV System Disconnect that is listed to the UL 98 Standard. The UL 98 Standard, called “Enclosed and Dead-front Switches,” ensures the integrated PV Powered disconnect meets all installation and inspection requirements of a PV System Disconnect.

Housed within a convenient wire raceway, PV Powered’s innovative disconnect consists of one enclosure with generous working room for installation. In addition to providing for a single point of connection from the utility service and PV array, the wire raceway’s optimized knockout locations also provide options for side, bottom and back entry with minimized conduit bending. The wire raceway enables flush side-by-side mounting, eliminating the need for extra equipment and resulting in a cleaner, less expensive installation.

PV Powered string inverters are backed by a ten year warranty and equipment replacement program. Optional performance monitoring is available which includes low cost, secure web-based access to inverter status and performance history.



Features

Industry-Leading Reliability

- Endurance tested
- Lowest part count and fewest interconnects eliminate common failure points
- Field-proven technology with thousands of units installed in North America

Integrated AC and DC PV System Disconnect

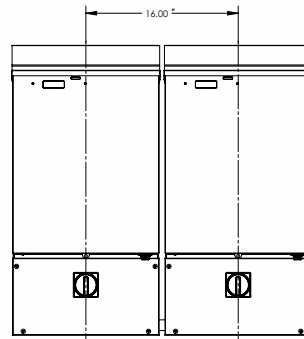
- Listed to UL 98 Standard for use with PV Powered UL 1741 Listed string inverters
- Robust testing of switch mechanism to UL 98 Standard
- Single AC/DC switch visible and lockable in the OFF position
- NEC Compliant internal wire raceway enables side-by-side mounting
- Direct-to-wall surface enclosure design allows for easy access and installation

Easy Installation

- Factory integrated inverter and PV System Disconnect eliminates the need for extra equipment
- Integrated disconnect reduces conduit connection points saving installation time and material cost
 - Field-configurable positive ground applications with simple jumper selection
 - Optimally placed knockouts for a variety of conduit routing options

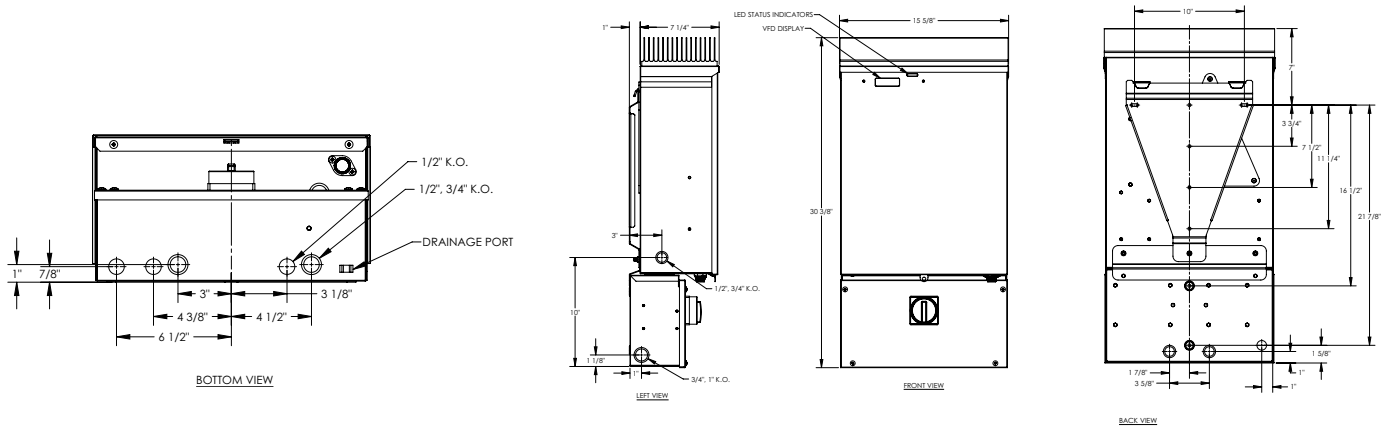
Installer-Focused Support

- No special purchase requirements to get the best technical support in the industry
- Live technical phone support
- Economical performance monitoring options

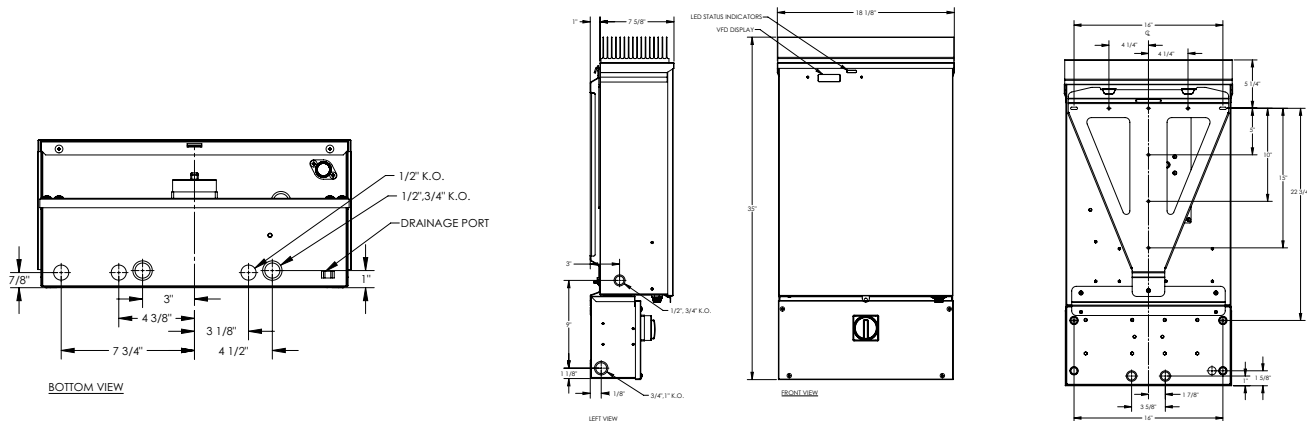


Example of Side-by-side Mounting on Standard Stud Spacing

PVP2000 to PVP 3500



PVP 4600, PVP4800, PVP5200



Electrical Specifications

Model	PVP2000	PVP2500	PVP2800	PVP3000	PVP3500	PVP4600	PVP4800	PVP5200
Continuous Output Power (watts)	2000	2500	2800	3000	3500	4600	4800	5200
Weighted CEC Efficiency (%)	92	94.5	92	93.5	95.5	95.5	96	96
Maximum DC Input Voltage (VOC)	500	500	500	500	500	500	500	500
DC Voltage Operating Range (V)	115-400	140-450	180-450	170-450	200-450	205-450	200-450	240-450
DC Minimum Start Voltage (V)	130	155	195	185	215	220	215	255
AC Rated Output Current (A)	18.5	19	16.5	19	18.5	24	25.5	23
AC Nominal Voltage (V)	240	240	208	240	240	208	240	240
AC Output Voltage Range (V)	211-264	211-264	183-229	211-264	211-264	183-229	211-264	211-264
AC Frequency Range (Hz)	59.3-60.5	59.3-60.5	59.3-60.5	59.3-60.5	59.3-60.5	59.3-60.5	59.3-60.5	59.3-60.5

Mechanical Specifications

Model	PVP2000	PVP2500	PVP2800	PVP3000	PVP3500	PVP4600	PVP4800	PVP5200
Product Includes	Inverter with Factory-Integrated AC and DC PV System Disconnect and wall mounting bracket							
Operating Temperature	-25°C to 40°C							
Weight (lbs) with Disconnect	92.5	106.5	106.5	106.5	120.5	162	162	162
Inverter with Disconnect Dimensions	30 3/8" H x 15 5/8" W x 8 1/4" D					35" H x 18 1/8" W x 8 5/8" D		
Environmental Rating	NEMA 3R Steel Enclosure							

Agency Approvals

Model	PVP2000	PVP2500	PVP2800	PVP3000	PVP3500	PVP4600	PVP4800	PVP5200
UL 98 13th Edition, UL 1741 Nov 2005 Revision, CSA C22.2 107.1 2006 Revision, IEEE 1547 Compliant, FCC Class A & B								

Specifications are subject to change without notice.



Advanced Energy Industries, Inc. • 20720 Brinson Blvd. PO Box 7348 • Bend, 97701 OR U.S.A.
 T: 877.312.3832 • sales.support@aei.com • www.advanced-energy.com/solarenergy
 Please see www.advanced-energy.com for worldwide contact information.

© Advanced Energy Industries, Inc. 2012
 All rights reserved. Printed in U.S.A.
 55-600100-51F 0M 1/12