

## MORE FOOTCANDLES

### PFL84LED

### OPTICS MATTER



**Alpha Series LED**  
PROFESSIONAL GRADE

**LUMENS: 8,016**

**WATTS: 84**

**LUMENS PER WATT: 98**

**CRI: 73**

**DIMMING: 10-100%**

**200,000+ HOURS**



### ORDERING INFORMATION

CATALOG #	DESCRIPTION	WATTS	VOLTS	CCT
PFL84LED	84W LED Power Flood Pro	84	120-277	4500K
PFL84LEDS	84W LED Power Flood Pro w/Slipfitter	84	120-277	4500K

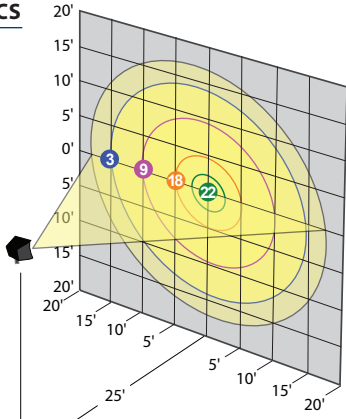
### OPTIONS

ADD SUFFIX #	DESCRIPTION
4	480V Driver
PC	120V Photocontrol
PM	208-277V Photocontrol

- PFL84LED - standard beam spread 80°
- NEMA type 5Hx5V (wide distribution)
- 105° optics available for general area lighting and wall lighting where less footcandles are required
- NEMA type 6Hx6V (extra wide distribution)



### PHOTOMETRICS

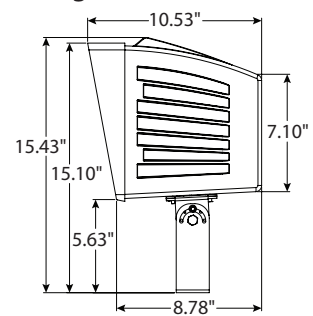
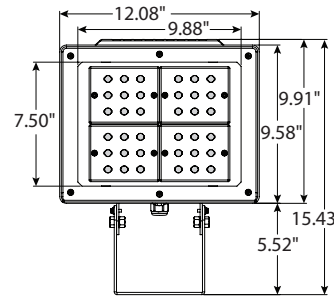


### DIMENSIONS AND SPECIFICATIONS

**Overall Height (Trunion): 15.43"**

**Depth: 10.53"**

**Overall Width: 12.08"**



### LED COMPARISON CHART

#### 400W METAL HALIDE

#### ATLAS 84W LED

#### FLOOD LIGHTS



**458 INPUT WATTS**



**84 INPUT WATTS**

TOTAL YEARLY COST INC. MAINT.

\$226

\$37

TOTAL YEARLY SAVINGS

-

\$189

POTENTIAL ONE TIME REBATE

\$0

\$50

TOTAL FIRST YEAR SAVINGS

-

\$239

DOLLAR RETURN IN 3 YEARS

-

\$617

*Based on 12 hours per day | \$0.10/kWh  
Utility Rates & Rebates Vary by Location*

**84% ANNUAL SAVINGS**

**Less Than 3 Year Payback**

