



SlimPak Pro

WSPL80LED 80 Watt LED SlimPak



3000K or warmer CCTs only

Project Information

Job Name

Fixture Type 80 Watt LED Die Cast SlimPak

Catalog Number WSPL80LED

Approved by

SPECIFICATIONS:

	WSPL80LED3K	WSPL80LED4K	WSPL80LED	WSPL80LED5K
Lumens:	8060	8060	8396	9332
Watts:	76.03	76.03	77.95	76.61
Lumens/Watt:	106.01	106.01	107.71	121.81
CRI:	82.4	71.1	75.3	71.1
CCT:	2962	4000	4622	4930
DLC Prod. ID:	P7HV6CHA	PCKBXTFW	PM5B953N	P19N8A75

Construction:

Designed for commercial and industrial applications, providing cooler operating temperatures, brighter light and longer LED life. Apertures for field or factory installed photocontrol. Hinged at bottom to prevent leakage.

Installation:

Labor saving features including bubble level and removable hinged face frame.

Zero Glare:

The fixture design directs more light down and forward without wasting lumens and offensive light.

Thermal Management:

Atlas SlimPak Pro fixtures are designed as a complete system to optimize LED life and light output. The Patent Pending thermal stacking heat removal technology extracts heat from within the housing moving it away from LEDs and components. The lower temperatures result in long LED life (200,000+ hrs¹) and component life and also allows for higher light output.

Listings:

Luminaire is certified to UL/cUL Standards for Wet Locations DesignLights Consortium qualified luminaire, eligible for rebates from DLC member utilities. IDA Listed (3000K or warmer CCTs only)

AC Input:

120/208/240/277 V

Driver:

Constant current, Non-Class 2, 120-277 VAC, 50-60 Hz
High Efficiency – min. 88%
Off-State Power: 0 Watts
0-10 V Dimming

LEDs:

3000K | 4000K | 4500K | 5000K CCT

Testing:

Atlas LED luminaires have been tested by an independent laboratory in accordance with IESNA LM-79 & LM-80.

Warranty: Five-year limited warranty

Photo Control:

For factory installed 120V button photo control add suffix PC to part number. Atlas uses only premium LED compatible photocontrols.

Emergency Battery Back Up:

Add suffix EB for Emergency Battery Back Up. Provides emergency illumination (1,580 lumens) for a minimum of 90 minutes. Requires deep back housing.

480 Volt: For 480V add suffix 4 to part number.

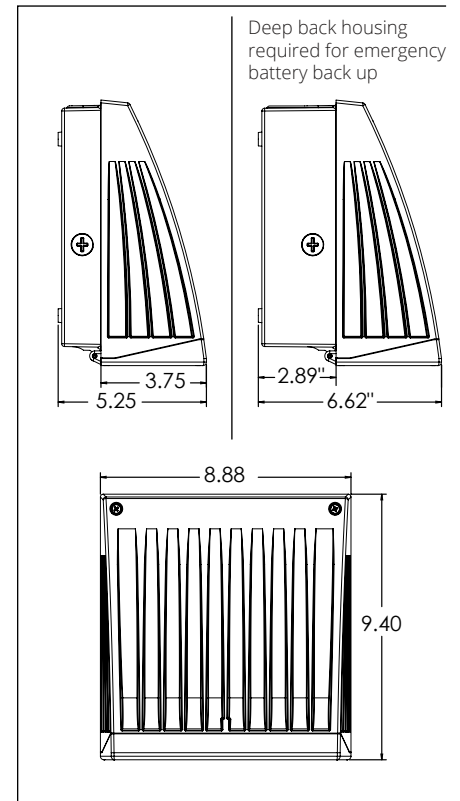
Alpha Series LED

PROFESSIONAL GRADE



Patent Pending

DIMENSIONS:



¹LED Life Span Based Upon LM-80 Test Results

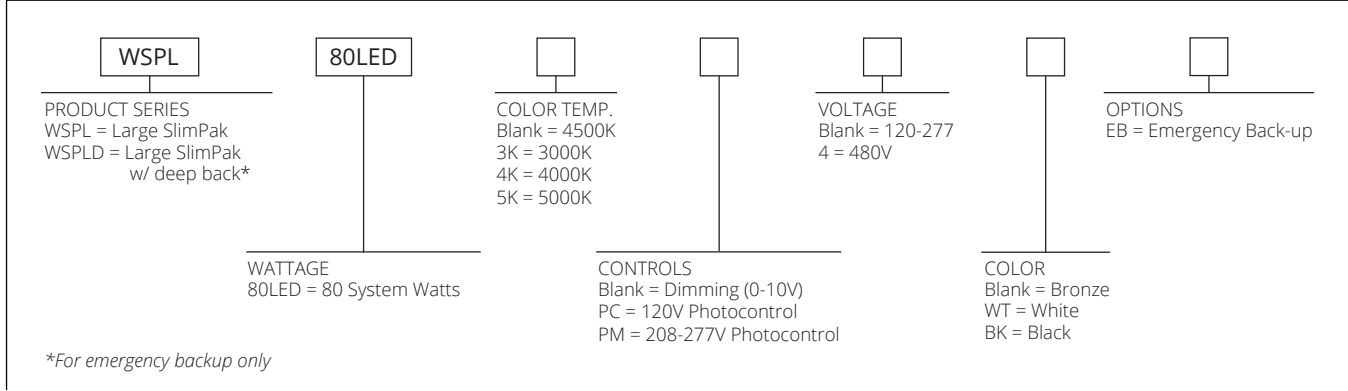
Rebates and Incentives are available in many areas. Contact an Atlas Representative for more information.

ATLAS LIGHTING PRODUCTS, INC.

PO BOX 2348 | BURLINGTON, NC 27216
800-849-8485 | FAX: 1-855-847-2794 | www.atlasled.com

*The majority of Atlas Lighting Products are assembled in USA facilities by an American Workforce utilizing both Domestic and Foreign components. Meets Buy American requirements within the ARRA.

ORDERING FORMAT



PHOTOMETRIC

