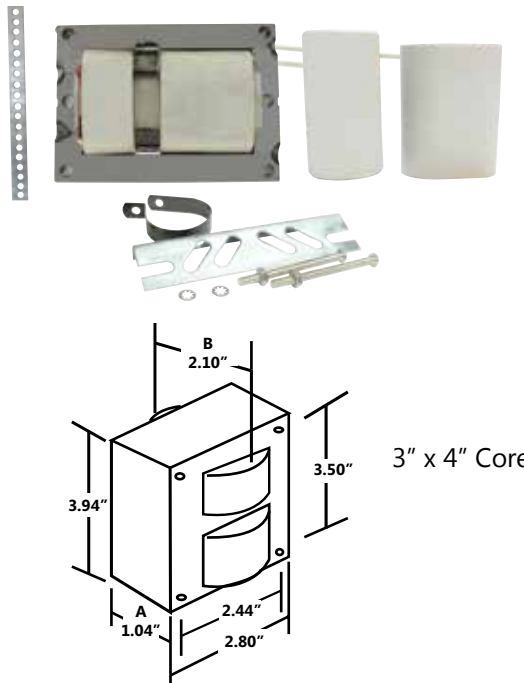


## ORDERING INFORMATION

Order code: 62940  
 Description: BMH0050/QUADTAP/C/HX/H/K/STD  
 UPC: 69549629400

## SPECIFICATIONS

Ballast type: Magnetic metal halide  
 Ballast style: Core and coil  
 Circuit type: HX-HPF  
 ANSI code: M110  
 Input voltage (V): 120/208/240/277  
 Input frequency (Hz): 60  
 Line volt regulation: 5 %  
 Line watt regulation: 10 %  
 Insulation class: H (180)



Input voltage (V)	Operating current (A)	Open circuit current (A)	Starting current (A)	Rated lamp watts (W)	Input watts (W)	OCV (V)	Dropout voltage (V)	UL 1029 code	Fuse rating (A)	Input current (A)	Power factor	Starting temperature
120	0.64	1.26	0.83	50	67	270	69	A	3	0.30-0.50	0.90	-20°F / -30°C
208	0.37	0.72	0.49	50	67	270	123	A	2	0.18-0.30	0.90	-20°F / -30°C
240	0.32	0.62	0.45	50	67	270	143	A	2	0.15-0.25	0.90	-20°F / -30°C
277	0.25	0.54	0.25	50	67	270	168	A	2	0.12-0.20	0.90	-20°F / -30°C

## HIGH POTENTIAL TEST (V)

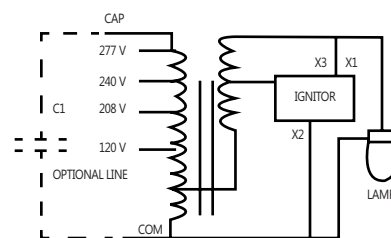
1 minute:	2 000
2 seconds:	2 500
OCV test:	285 - 286
Short circuit:	0.88 - 0.89

## BALLAST DIMENSIONS

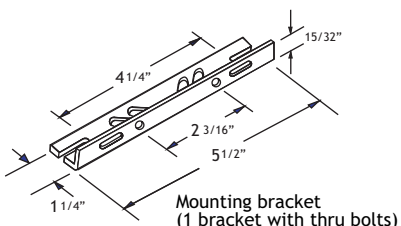
Dimension A:	1.04"
Dimension B:	2.10"
Lead lengths:	12" - 14"
Weight (lbs) :	3.42

## WIRING DIAGRAM

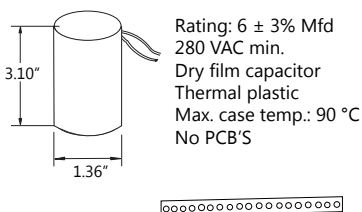
Ground ballast core



## BRACKET

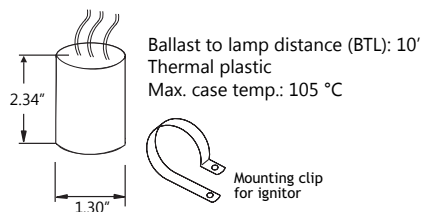


## CAPACITOR



Rating: 6 ± 3% Mfd  
 280 VAC min.  
 Dry film capacitor  
 Thermal plastic  
 Max. case temp.: 90 °C  
 No PCB'S

## IGNITOR



Ballast to lamp distance (BTL): 10'  
 Thermal plastic  
 Max. case temp.: 105 °C

