

# Condulet® Single Gang Device Boxes - Cast Iron or Aluminum

Accessories  
see pages 37–45

## With and Without Mounting Lugs for Threaded Rigid and IMC Conduit

### Applications:

- Cast device boxes are installed to:
- Accommodate wiring devices
  - Act as pull boxes for conductors in a conduit system
  - Provide openings to make splices and taps in conductors
  - Provide access to conductors for maintenance and future system changes
  - Connect conduit sections
  - FSY boxes for mounting surface devices on floor or bench (used with single gang covers)

### Features:

- Internal green ground screw standard on boxes
- Suitable for use in wet locations when used with gasketed covers
- Mounting lugs standard on most boxes
- Tapered threaded hubs (NPT) with integral bushing
- Available for surface mounting (with mounting lugs) or flush mounting (without mounting lugs) as listed
- Available as shallow (FS) or deep (FD) configuration. Use FD if device to be enclosed exceeds 1<sup>5</sup>/<sub>8</sub>" in depth
- Ample wiring room provided in either FS or FD configuration
- Wide selection of surface or flush covers available in three materials (sheet steel, *Feraloy*®, aluminum)
- Covers for flush mounting extend to conceal the rough plaster line
- Available in single gang and multi-gang configurations with hubs, and as blank bodies for drilled and tapped openings

### Certifications and Compliances:

- UL Standard: 514
- ANSI Standard: C33.84
- Fed. Spec.: W-C-5860
- CSA Standard: C22.2 No. 18

### Standard Materials:

- *Feraloy* iron alloy or copper-free aluminum

### Standard Finishes:

- *Feraloy* – electrogalvanized and aluminum acrylic paint
- Aluminum – natural

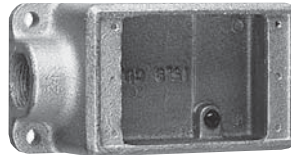
### Options:

Description	Suffix
<b>Finishes:</b>	
<i>Corro-free</i> ™ epoxy powder coat - external body	<b>S752</b>
<i>Corro-free</i> ™ epoxy powder coat - internal and external	<b>S753</b>
Hot dipped galvanized	<b>HGD</b>

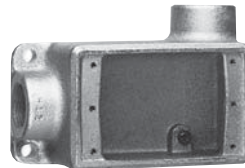
### Size Ranges:

- Hubs – 1/2" to 1"

### FS & FD



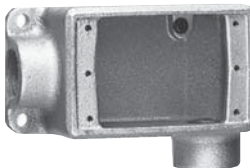
Size	Cat. #	Cat. #
1/2	<b>FS1*</b>	<b>FD1†</b>
3/4	<b>FS2*</b>	<b>FD2†</b>
1	<b>FS3†</b>	<b>FD3†</b>



Size	Cat. #	Cat. #
1/2	<b>FSR1</b>	<b>FDR1</b>
3/4	<b>FSR2</b>	<b>FDR2</b>



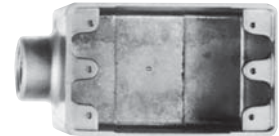
Size	Cat. #	Cat. #
1/2	<b>FSC1*</b>	<b>FDC1†</b>
3/4	<b>FSC2*</b>	<b>FDC2†</b>
1	<b>FSC3†</b>	<b>FDC3†</b>



Size	Cat. #	Cat. #
1/2	<b>FSL1</b>	<b>FDL1</b>
3/4	<b>FSL2</b>	<b>FDL2*†</b>

\*Available in sand cast copper-free aluminum – add suffix SCA to Cat. No.  
†Available in sand cast copper-free aluminum – add suffix SA to Cat. No.

### Die Cast Aluminum‡



Size	Cat. #	Cat. #
1/2	<b>FS1 SA</b>	<b>FSC1 SA</b>
3/4	<b>FS2 SA</b>	<b>FSC2 SA</b>

‡Mounting lugs and ground screw are not offered with standard die cast aluminum box. For sand cast aluminum box with mounting lugs and ground screw, change "SA" in catalog number to "SCA" (Example: FS1 SCA).

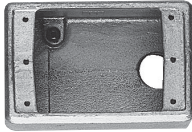
# Condulet® Single Gang Device Boxes - Cast Iron or Aluminum

Accessories  
see pages 37-45

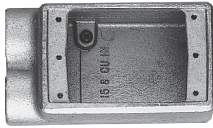
With and Without Mounting Lugs for  
Threaded Rigid and IMC Conduit

2F

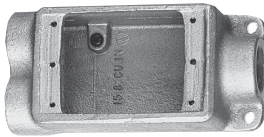
## FS & FD



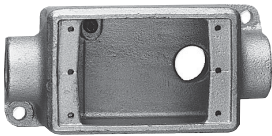
Size	Cat. #†	Cat. #†
1/2	FSA1	FDA1
3/4	FSA2	FDA2



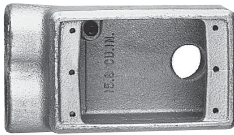
Size	Cat. #†	Cat. #†
1/2	FSS1*	FDD1
3/4	FSS2*	FDD2*
1	FSS3	FDD3



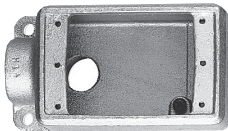
Size	Cat. #	Cat. #
1/2	FSCC1	FDCC1
3/4	FSCC2	FDCC2



Size	Cat. #
1/2	FSCA1
3/4	FSCA2



Size	Cat. #†
3/4	FSSA2

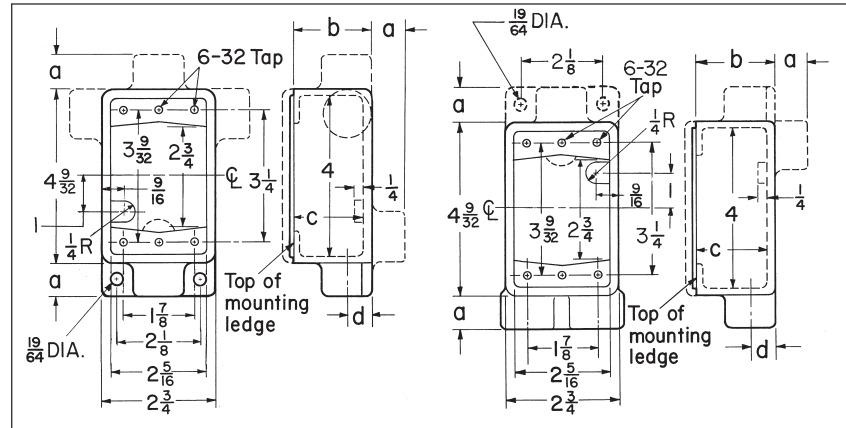


Size	Cat. #	Cat. #
1/2	FSLA1	FDLA1
3/4	FSLA2	FDLA2

\*Available in copper-free aluminum; add suffix "SA".  
†Mounting lugs not available.

## Dimensions

In Inches:



Series	Hub Size	a	b	c	d
FS	1/2	7/8	1 7/8	1 11/16	5/8
	3/4	7/8	1 7/8	1 11/16	3/4
	1	1	1 7/8	1 11/16	7/8
FD	1/2	7/8	2 11/16	2 1/2	5/8
	3/4	7/8	2 11/16	2 1/2	3/4
	1	1	2 11/16	2 1/2	7/8

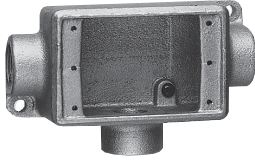
# Condulet® Single Gang Device Boxes - Cast Iron or Aluminum

Accessories  
see pages 37-45

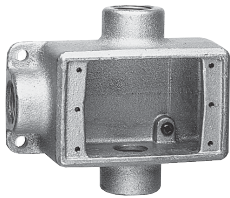
2F

With and Without Mounting Lugs for  
Threaded Rigid and IMC Conduit

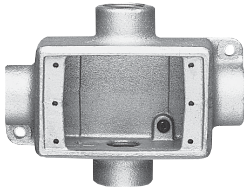
## FS & FD



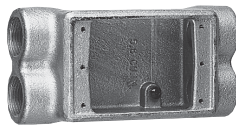
Size	Cat. #	Cat. #
1/2	FSCT1	FDCT1
3/4	FSCT2*	FDCT2*
1	FSCT3	FDCT3



Size	Cat. #	Cat. #
1/2	FST1*	FDT1
3/4	FST2*	FDT2
1		FDT3



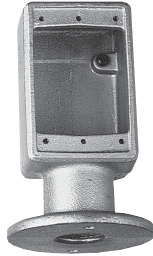
Size	Cat. #	Cat. #
1/2	FSX1	FDX1
3/4	FSX2	FDX2
1		FDX3



Size	Cat. #†
1/2	FSXD1
3/4	FSXD2

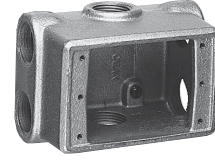
\*Available in copper-free aluminum; add suffix "SA".  
†6 Hubs - all 3/4" pipe tap.  
‡ Not available with mounting lugs.

## FSY



Description	Hub Size	Cat. # ‡
Single face	1	FSY311
Double face	1	FSY312

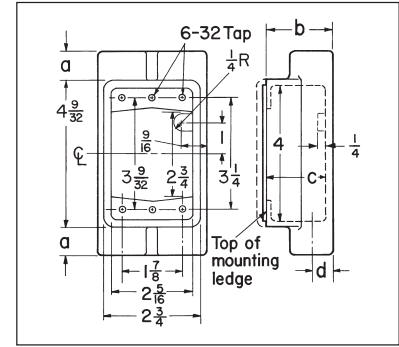
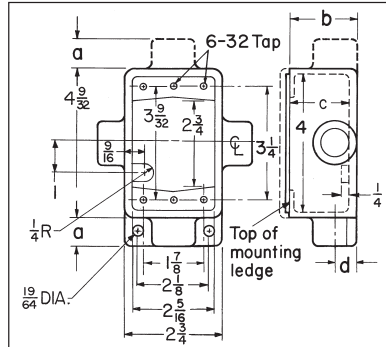
## FDXC†



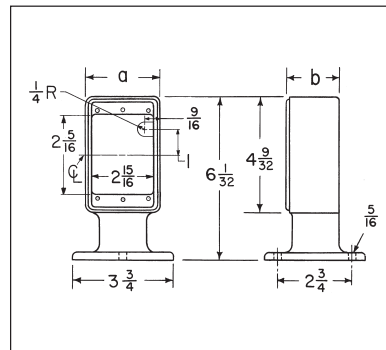
Hub Size	Cat. #‡
3/4	FDXC219

## Dimensions

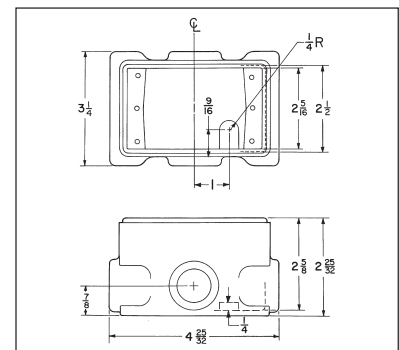
In Inches:



FSCT, FSX, FST, FSCD



FSY



FDXC

## FSCT, FSX, FST, FSCD

Series	Hub Size	a	b	c	d
FS	1/2	7/8	1 7/8	1 11/16	5/8
	3/4	7/8	1 7/8	1 11/16	3/4
	1	1	1 7/8	1 11/16	7/8

## FSY

Description	Hub Size	a	b
Single gang, single face	1	2 3/4	1 15/16
Single gang, double face	1	2 3/4	3 3/8

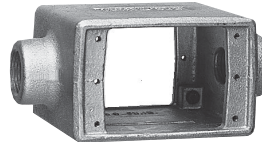
# 2F Condulet® Single Gang Device Boxes - Cast Iron or Aluminum

Accessories  
see pages 37–45

With and Without Mounting Lugs

2F

FS



### Double Face

Size	Cat. #†
1/2	FS152
3/4	FS252

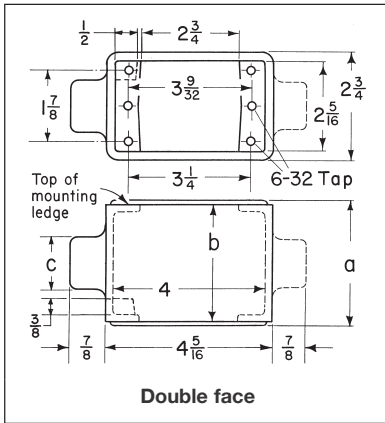
### Double Face

Size	Cat. #†
1/2	FSC152
3/4	FSC252

†Mounting lugs not available.

### Dimensions

In Inches:



Series	Hub Size	a	b	c
FS	1/2	3 5/16	3 1/8	1 1/4
	3/4	3 11/16	3 1/2	1 1/2