

# **BALDOR® • RELIANCE**

## **Product Information Packet**

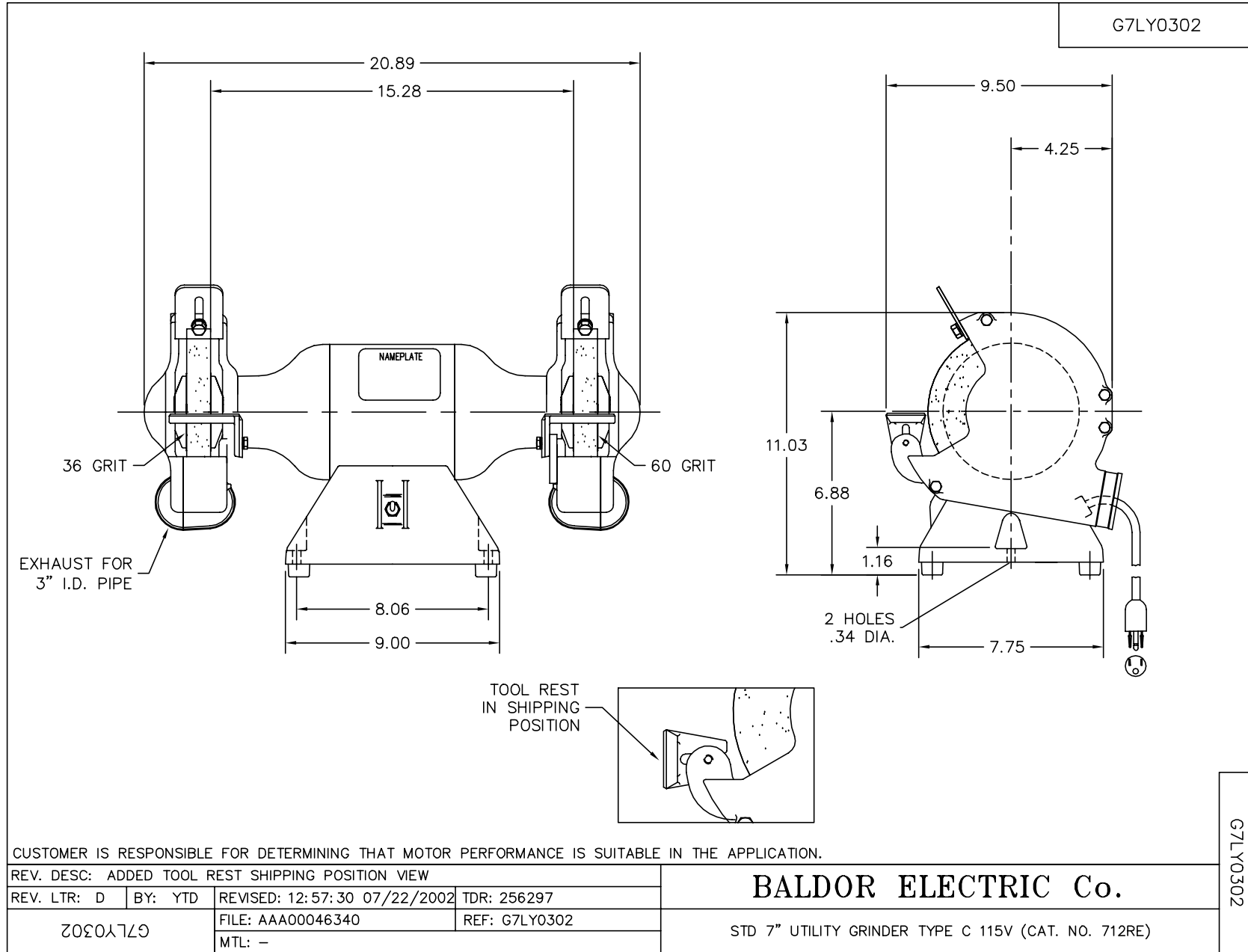
# **712RE**

**.5HP, 3600RPM, 1PH, 60HZ, 3420C, GRND**

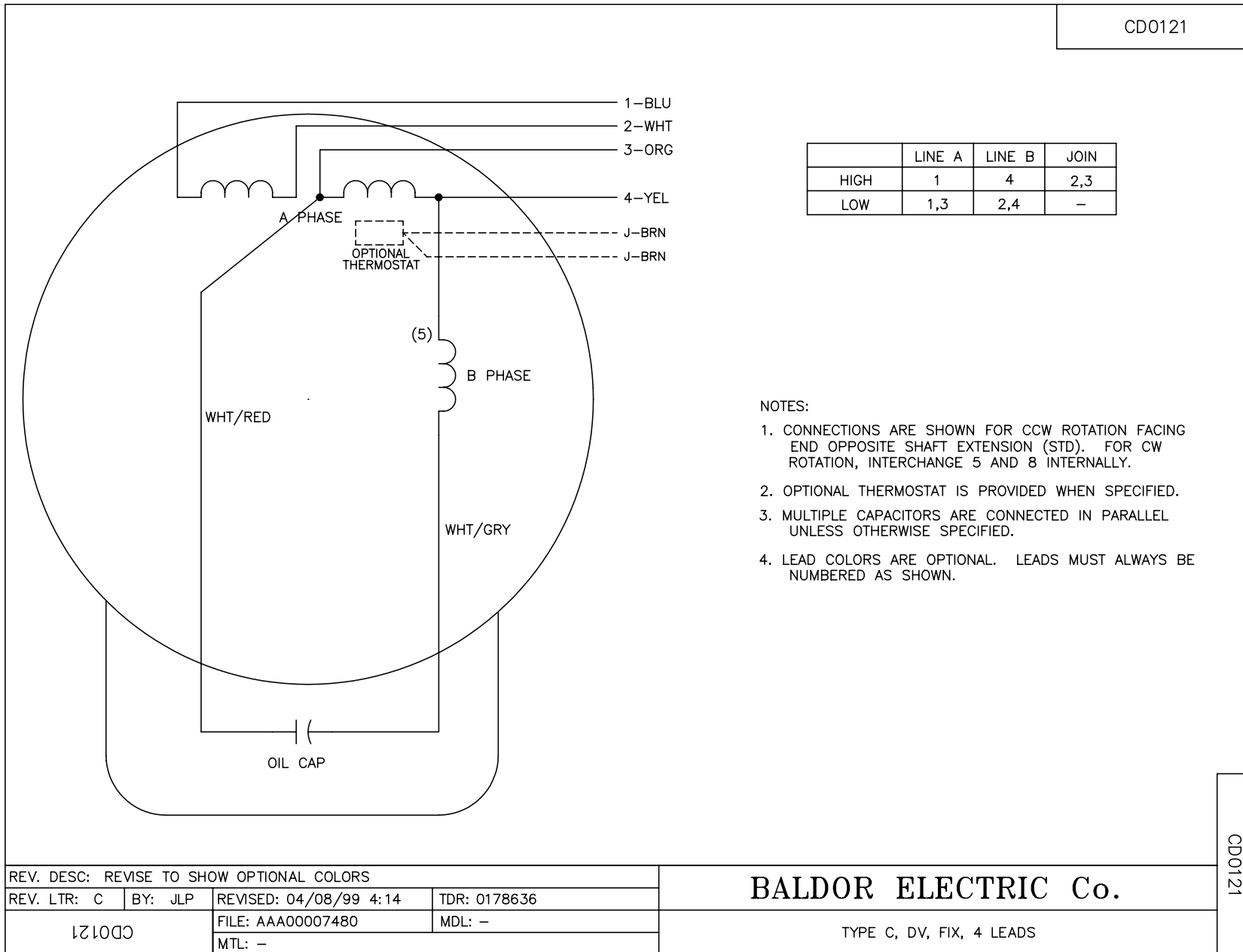
Part Detail							
Revision:	AV	Status:	PRD/A	Change #:		Proprietary:	No
Type:	AC	Prod. Type:	3420C	Elec. Spec:	G7WG0030	CD Diagram:	CD0121
Enclosure:	GRND	Mfg Plant:		Mech. Spec:	G7-0302	Layout:	G7LY0302
Frame:		Mounting:	F1	Poles:	02	Created Date:	
Base:	RG	Rotation:	FOS	Insulation:	B	Eff. Date:	06-11-2014
Leads:	4#18					Replaced By:	
Literature:		Elec. Diagram:					

Nameplate NP0235	
CAT.NO.	712RE
HP	.5
PHASE	1
HZ	60
SER.NO.	
SPEC.	G7-302-30
	VOLTS 115
	AMPS 3.4
	RPM 3600

No performance data has been  
assigned to this product.



CD0121



REV. DESC: REVISE TO SHOW OPTIONAL COLORS			
REV. LTR: C	BY: JLP	REVISED: 04/08/99 4:14	TDR: 0178636
CD0121		FILE: AAA00007480	MDL: -
		MTL: -	

**BALDOR ELECTRIC Co.**

TYPE C, DV, FIX, 4 LEADS

CD0121