

# **BALDOR**® • ***RELIANCE***

## **Product Information Packet**

# **CSSEWDFM3615T**

**5HP, 1750RPM, 3PH, 60HZ, 184TC, 3646M, TEFC, F2**

Part Detail							
Revision:	K	Status:	PRD/A	Change #:		Proprietary:	No
Type:	AC	Prod. Type:	3646M	Elec. Spec:	36WGS953	CD Diagram:	CD0005
Enclosure:	TEFC	Mfg Plant:		Mech. Spec:	36M549	Layout:	36LYM549
Frame:	184TC	Mounting:	F2	Poles:	04	Created Date:	06-04-2012
Base:	RG	Rotation:	R	Insulation:	H	Eff. Date:	09-02-2016
Leads:	9#16					Replaced By:	
Literature:		Elec. Diagram:					

Nameplate NP1953F01										
CAT.NO.	CSSEWDFM3615T									
SPEC.	36M549S953G1									
HP	5									
VOLTS	208-230/460									
AMP	13.8-13/6.5									
RPM	1750									
FRAME	184TC				HZ	60			PH	3
SER.F.	1.15		CODE	J	DES	B		CLASS	H	
NEMA-NOM-EFF	89.5			PF	81					
RATING	40C AMB-CONT									
CC	010A				USABLE AT 208V					
DE	6206			ODE	6206					
ENCL	TEFC		SN							

**AC Induction Motor Performance Data**

Record # 38664 - Typical performance - not guaranteed values

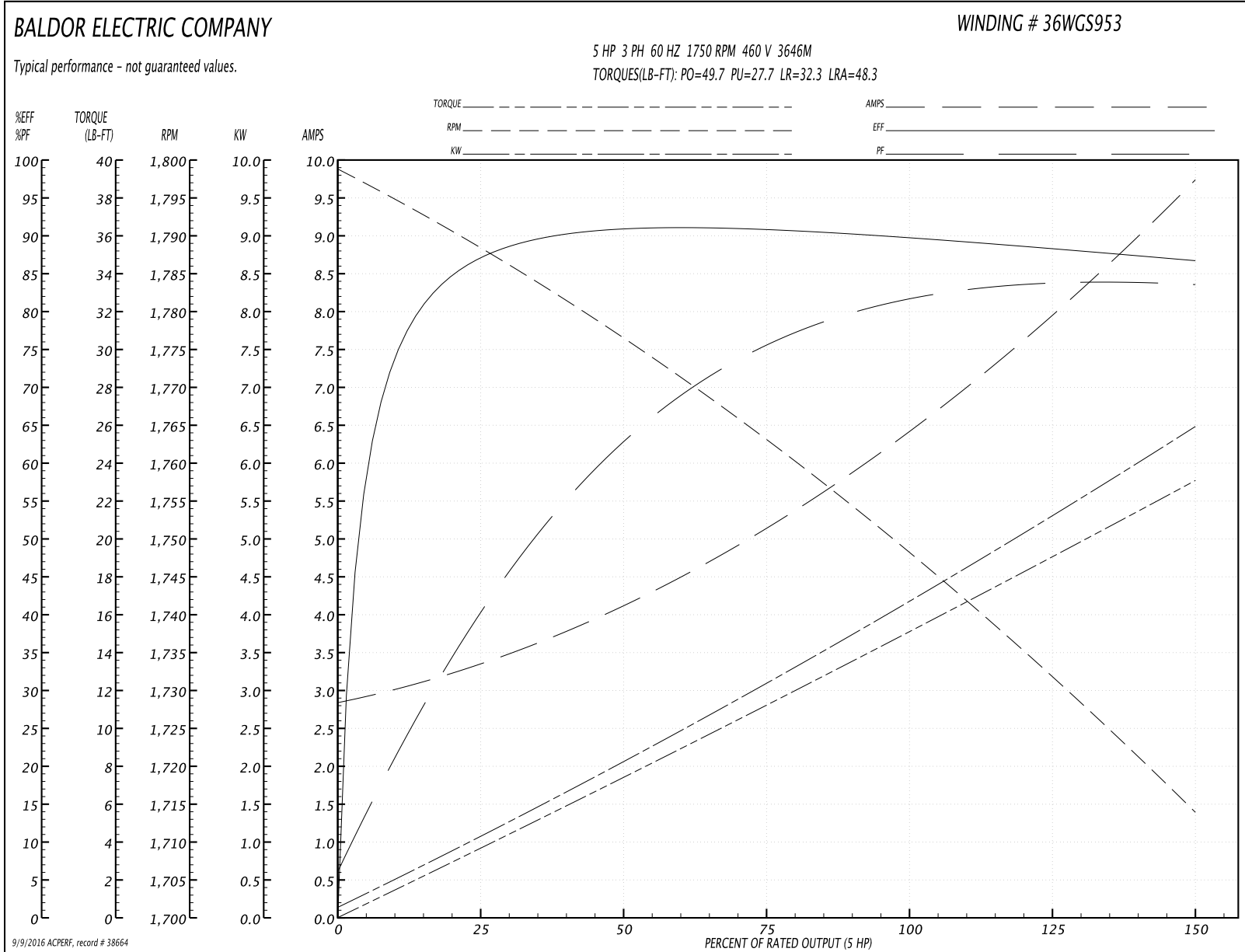
<b>Winding:</b> 36WGS953-R001	<b>Type:</b> 3646M	<b>Enclosure:</b> TEFC
-------------------------------	--------------------	------------------------

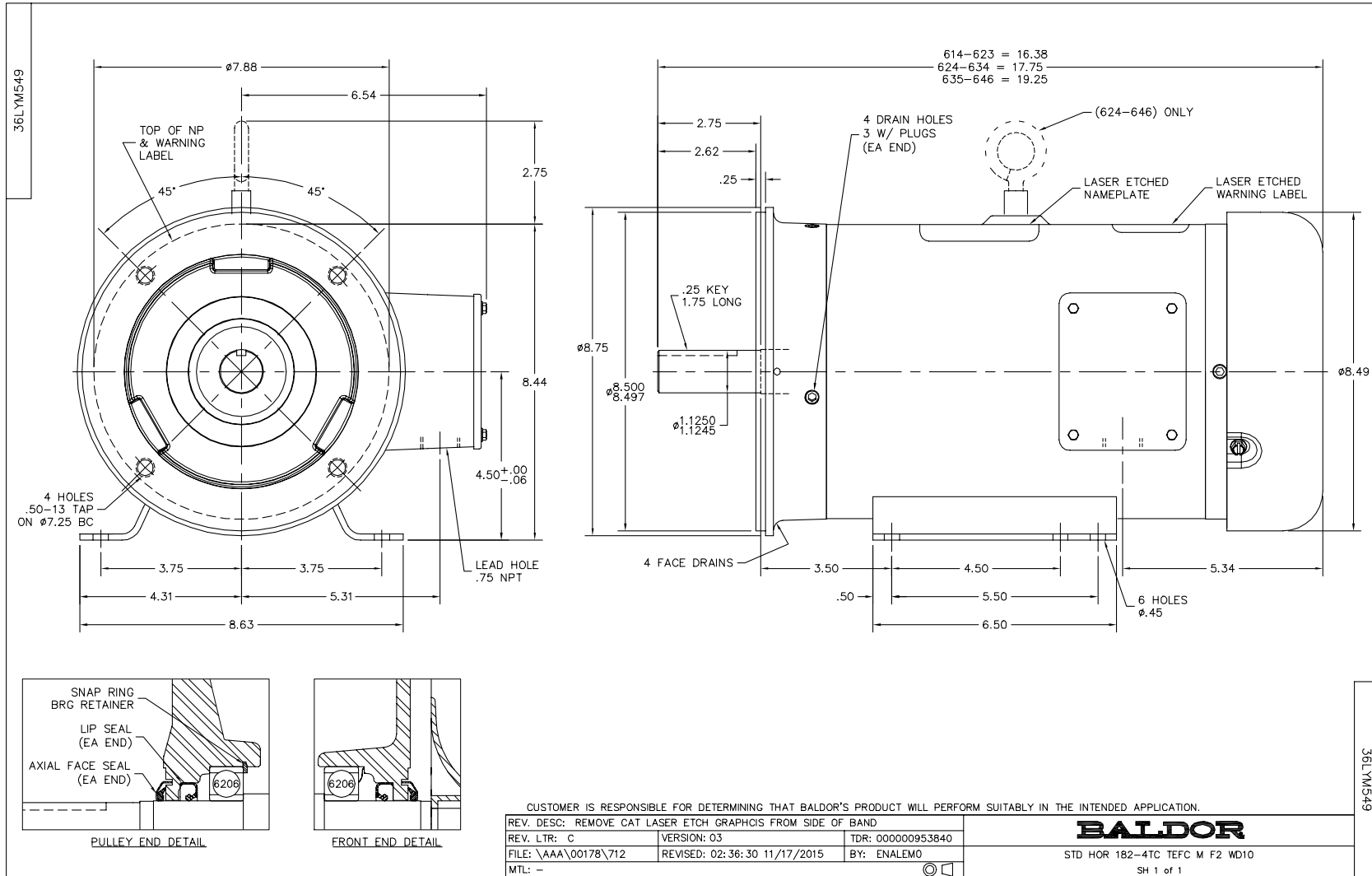
Nameplate Data				460 V, 60 Hz: High Voltage Connection	
Rated Output (HP)	5			Full Load Torque	15.2 LB-FT
Volts	208-230/460			Start Configuration	direct on line
Full Load Amps	13.8-13/6.5			Breakdown Torque	49.7 LB-FT
R.P.M.	1750			Pull-up Torque	27.7 LB-FT
Hz	60	Phase	3	Locked-rotor Torque	32.3 LB-FT
NEMA Design Code	B	KVA Code	J	Starting Current	48.3 A
Service Factor (S.F.)	1.15			No-load Current	2.91 A
NEMA Nom. Eff.	89.5	Power Factor	81	Line-line Res. @ 25°C	2.3457 Ω
Rating - Duty	40C AMB-CONT			Temp. Rise @ Rated Load	87°C
S.F. Amps				Temp. Rise @ S.F. Load	109°C

Load Characteristics 460 V, 60 Hz, 5 HP

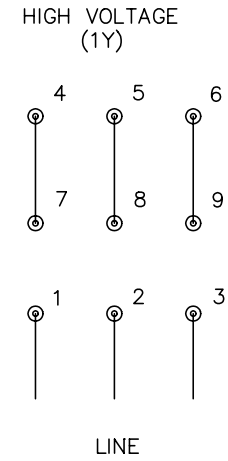
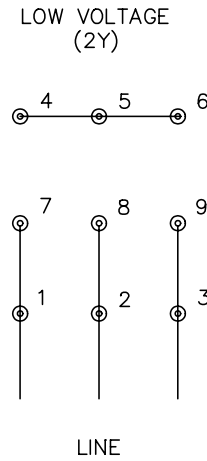
% of Rated Load	25	50	75	100	125	150	S.F.
Power Factor	42	64	75	81	83	84	82
Efficiency	86.6	90.5	90.7	89.8	88.4	86.5	89
Speed	1788.2	1775.9	1762.8	1747.9	1731.9	1713.7	1738
Line amperes	3.27	4.1	5.2	6.49	8.02	9.69	7.41

Performance Graph at 460V, 60Hz, 5.0HP Typical performance - Not guaranteed values





CD0005



- NOTES:
1. INTERCHANGE ANY TWO LINE LEADS TO REVERSE ROTATION.
  2. OPTIONAL THERMOSTATS ARE PROVIDED WHEN SPECIFIED.
  3. ACTUAL NUMBER OF INTERNAL PARALLEL CIRCUITS MAY BE A MULTIPLE OF THOSE SHOWN ABOVE.
  4. LEAD COLORS ARE OPTIONAL. LEADS MUST ALWAYS BE NUMBERED AS SHOWN.

REV. DESC: REVISE TO SHOW OPTIONAL COLORS			
REV. LTR: E	BY: JLP	REVISED: 01/19/99 10:15	TDR: 0171435
90000		FILE: AAA00005140	MDL: -
		MTL: -	

**BALDOR ELECTRIC Co.**

3PH, DV, 9 LEADS

CD0005