

BALDOR® • *RELIANCE*

Product Information Packet

EM7034T-5

1.5HP, 1760RPM, 3PH, 60HZ, 145T, 3526M, XPFC, F

Part Detail							
Revision:	L	Status:	PRD/A	Change #:		Proprietary:	No
Type:	AC	Prod. Type:	3526M	Elec. Spec:	35WGM887	CD Diagram:	CD0006
Enclosure:	XPFC	Mfg Plant:		Mech. Spec:	35E362	Layout:	35LYE362
Frame:	145T	Mounting:	F1	Poles:	04	Created Date:	09-23-2010
Base:	RG	Rotation:	R	Insulation:	B	Eff. Date:	07-23-2015
Leads:	3#18					Replaced By:	
Literature:		Elec. Diagram:					

Nameplate NP1426XPSLEV	
NO.	<input type="text"/> CC 010A
SER.	<input type="text"/>
SPEC.	35E362M887G1
CAT.NO.	EM7034T-5
HP	1.5 T. CODE T3C
VOLTS	575
AMPS	1.8
RPM	1760
HZ	60 PH 3 CL B
SER.F.	1.00 DES B CODE L
RATING	40C AMB-CONT
FRAME	145T NEMA-NOM-EFF 86.5
USABLE AT 208V	PF 73
BLANK	<input type="text"/>

AC Induction Motor Performance Data

Record # 35605 - Typical performance - not guaranteed values

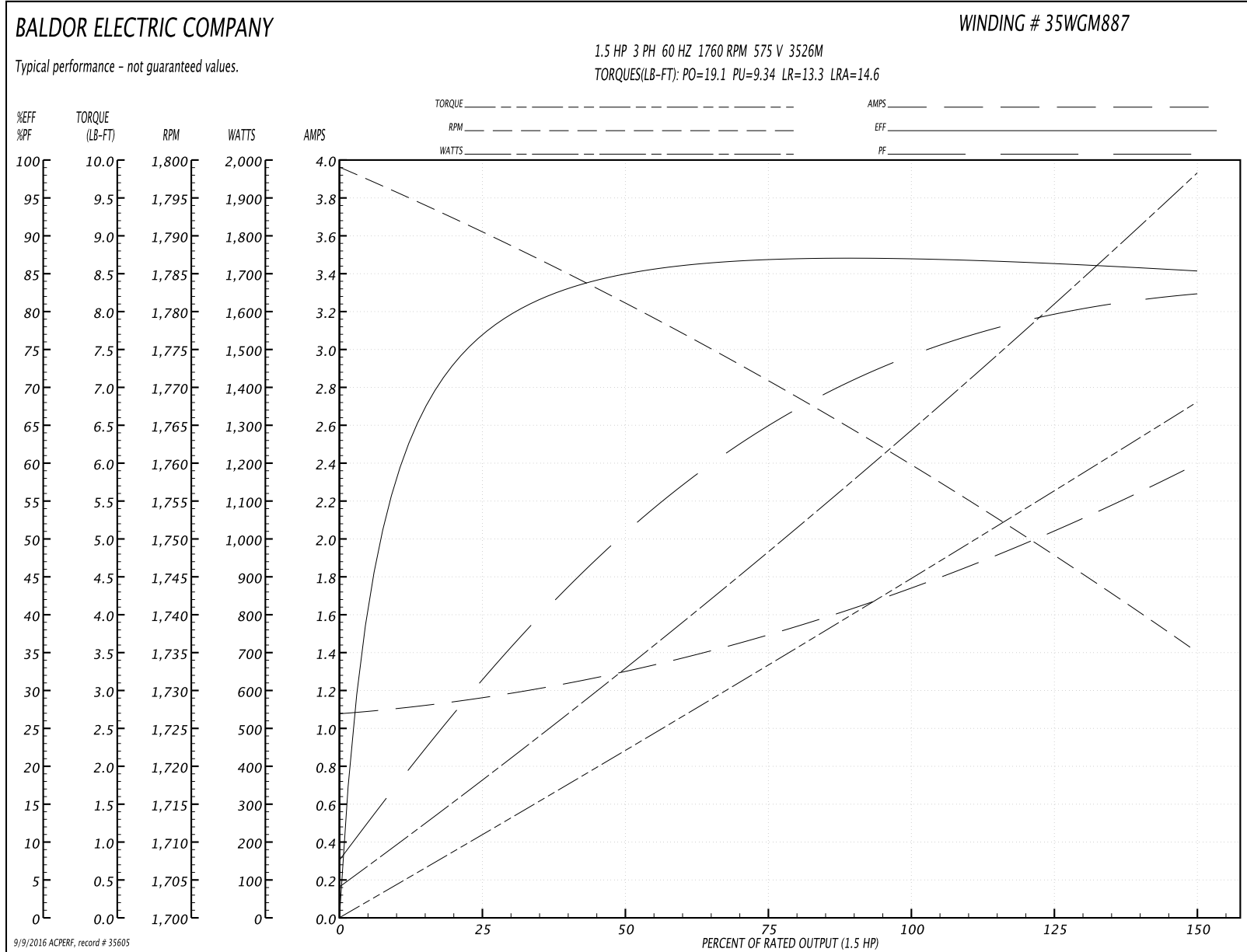
Winding: 35WGM887-R002	Type: 3526M	Enclosure: XPFC
-------------------------------	--------------------	------------------------

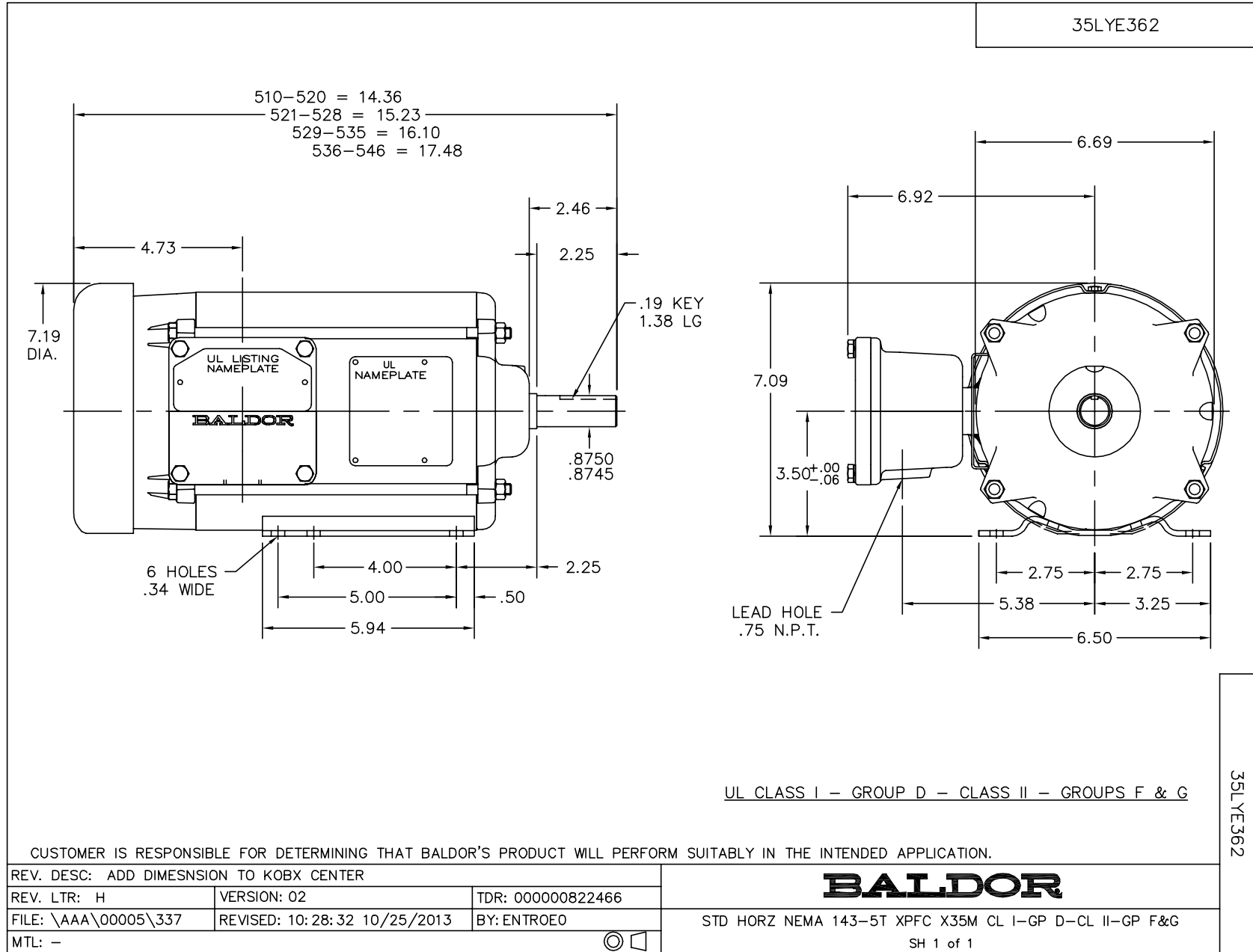
Nameplate Data				575 V, 60 Hz: Single Voltage Motor	
Rated Output (HP)	1.5			Full Load Torque	4.47 LB-FT
Volts	575			Start Configuration	direct on line
Full Load Amps	1.8			Breakdown Torque	19.1 LB-FT
R.P.M.	1760			Pull-up Torque	9.34 LB-FT
Hz	60	Phase	3	Locked-rotor Torque	13.3 LB-FT
NEMA Design Code	B	KVA Code	L	Starting Current	14.6 A
Service Factor (S.F.)	1			No-load Current	1.09 A
NEMA Nom. Eff.	86.5	Power Factor	73	Line-line Res. @ 25°C	17 Ω
Rating - Duty	40C AMB-CONT			Temp. Rise @ Rated Load	44°C
S.F. Amps				Temp. Rise @ S.F. Load	52°C
				Rotor inertia	0.154 LB-FT ²

Load Characteristics 575 V, 60 Hz, 1.5 HP

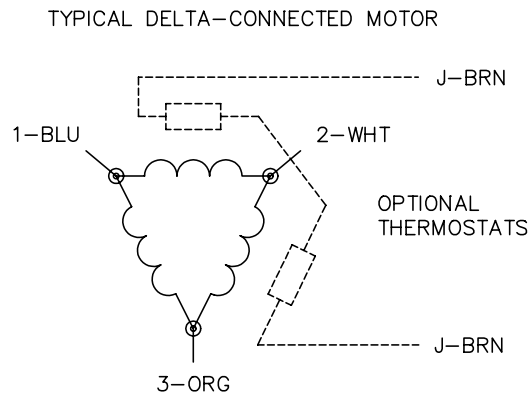
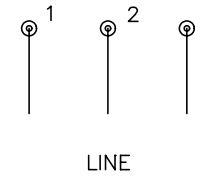
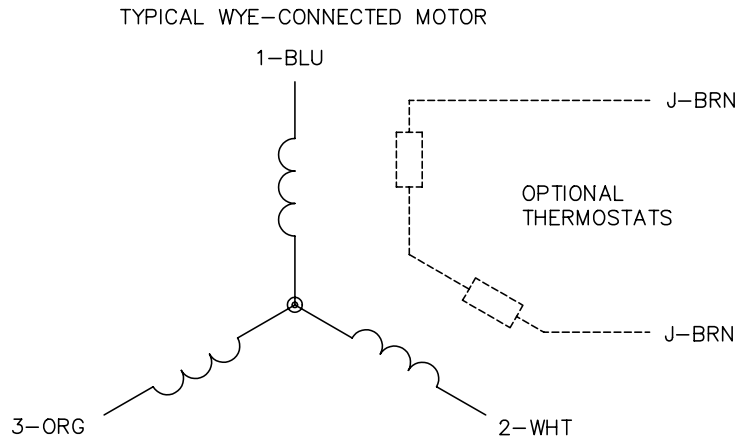
% of Rated Load	25	50	75	100	125	150
Power Factor	31	51	65	74	79	83
Efficiency	76.6	84.5	87	87.1	86.4	85.4
Speed	1791	1781	1771	1760	1748	1735
Line amperes	1.15	1.28	1.49	1.75	2.06	2.38

Performance Graph at 575V, 60Hz, 1.5HP Typical performance - Not guaranteed values





CD0006



NOTES:

1. THREE LEAD MOTOR MAY BE EITHER WYE CONNECTED OR DELTA CONNECTED.
2. INTERCHANGE ANY TWO LINE LEADS TO REVERSE ROTATION.
3. OPTIONAL THERMOSTATS ARE PROVIDED WHEN SPECIFIED.
4. ACTUAL NUMBER OF INTERNAL PARALLEL CIRCUITS MAY VARY.
5. LEAD COLORS ARE OPTIONAL. LEADS MUST BE NUMBERED AS SHOWN.

REV. DESC: REVISE TO SHOW OPTIONAL COLORS			
REV. LTR: D	BY: JLP	REVISED: 01/21/99 4:02	TDR: 0171435
9000D		FILE: AAA00005141	MDL: -
		MTL: -	

BALDOR ELECTRIC Co.

3PH, SV, 3 LEADS, WYE OR DELTA CONNECTED

CD0006