

BALDOR® • ***RELIANCE***

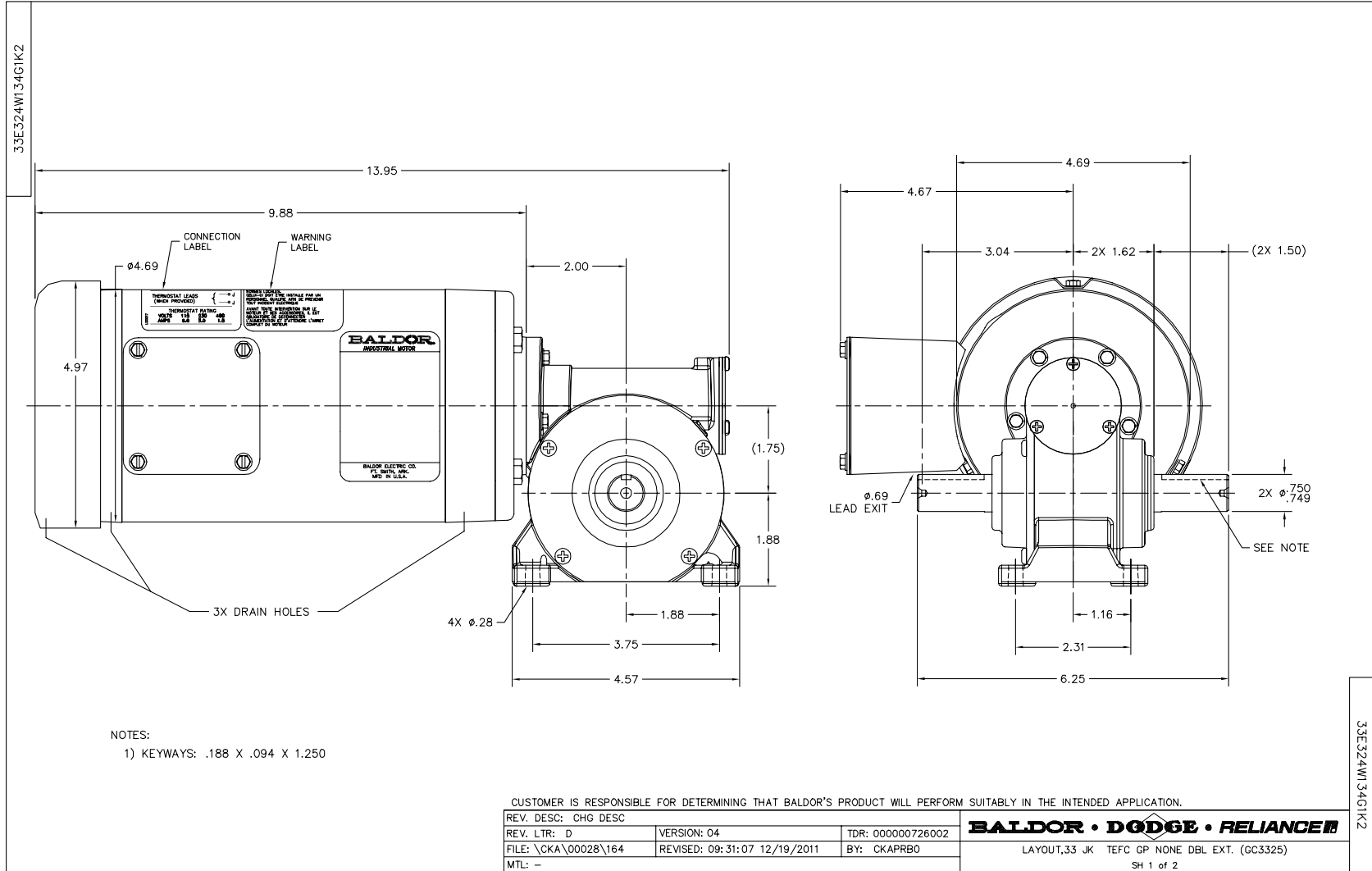
Product Information Packet

GC3325

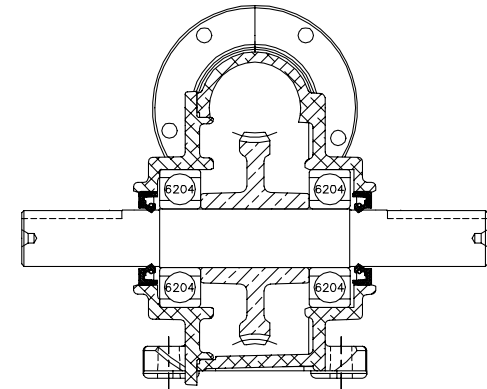
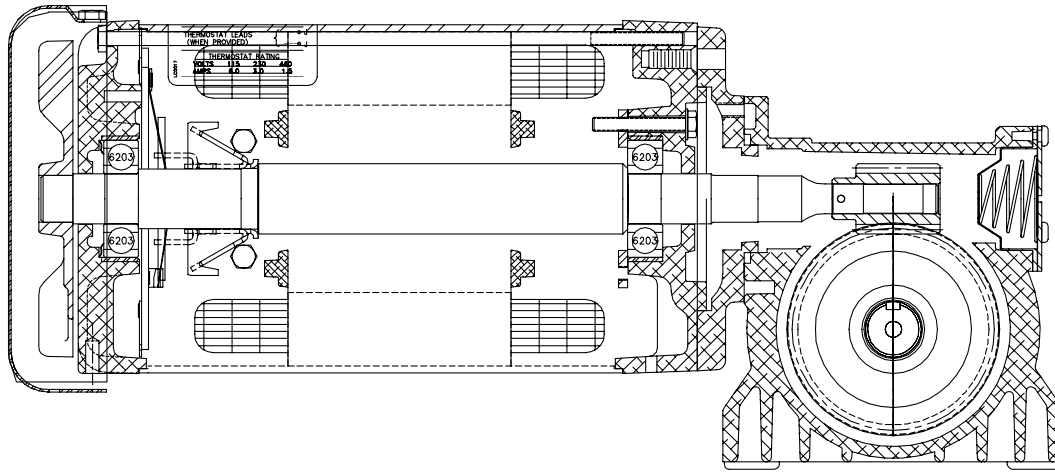
G.M.115VAC 11:1 151RPM

Part Detail							
Revision:	V	Status:	PRD/A	Change #:		Proprietary:	No
Type:	AC	Prod. Type:	3324S	Elec. Spec:	33WGW134	CD Diagram:	CD0182A01
Enclosure:	TEFC	Mfg Plant:		Mech. Spec:		Layout:	33E324W134G1K2
Frame:	JK	Mounting:		Poles:	04	Created Date:	08-19-2005
Base:		Rotation:	R	Insulation:	F	Eff. Date:	05-09-2016
Leads:	4#18		Y			Replaced By:	
Literature:		Elec. Diagram:					

No performance data has been assigned to this product.



33E324W134G1K2



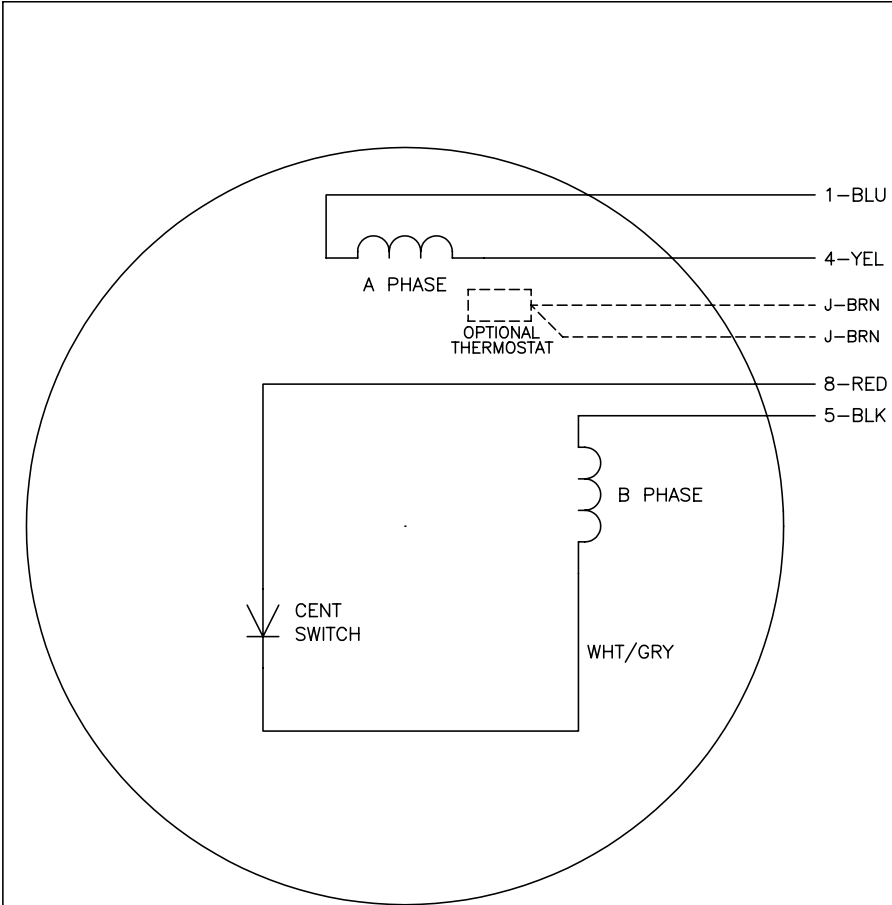
33E324W134G1K2

CUSTOMER IS RESPONSIBLE FOR DETERMINING THAT BALDOR'S PRODUCT WILL PERFORM SUITABLY IN THE INTENDED APPLICATION.

REV. DESC: CHG DESC	VERSION: 04	TDR: 000000726002
REV. LTR: D	REvised: 09:31:07 12/19/2011	BY: CKAPRBO
FILE: \CKA\00028\164		
MTL: -		

BALDOR • DODGE • RELIANCE
 LAYOUT,33 JK TEFC GP NONE DBL EXT. (GC3325)
 SH 2 of 2

CD0182



	LINE A	LINE B
STD	1,8	4,5
OPP	1,5	4,8

- NOTES:
1. STANDARD ROTATION IS CCW FACING END OPPOSITE SHAFT EXTENSION.
 2. OPTIONAL THERMOSTAT IS PROVIDED WHEN SPECIFIED.
 3. LEAD COLORS ARE OPTIONAL. LEADS MUST ALWAYS BE NUMBERED AS SHOWN.

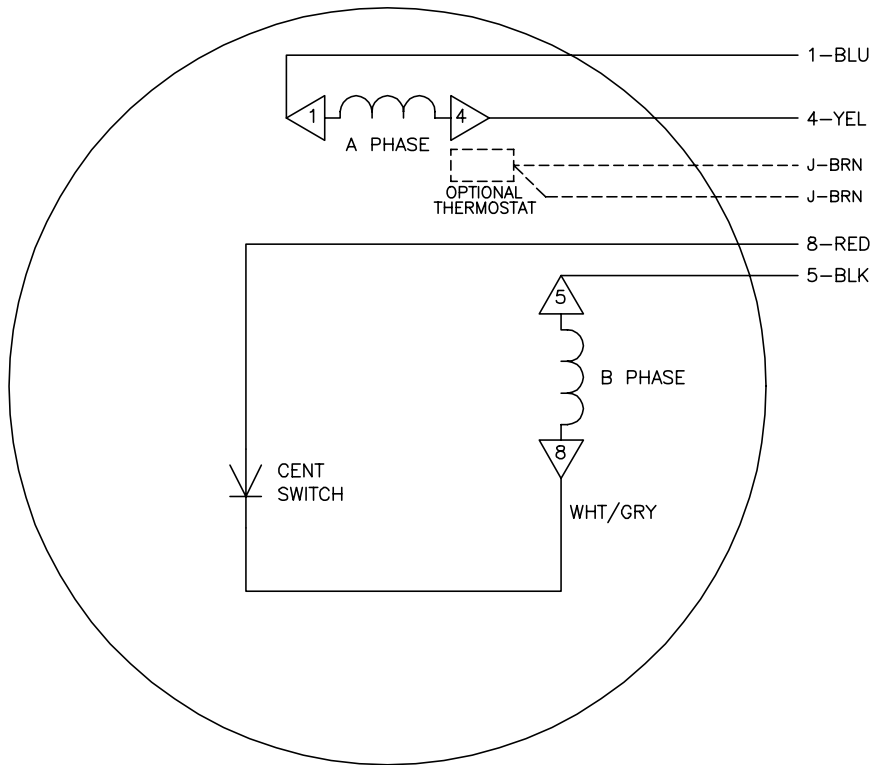
CD0182

REV. DESC: REVISE TO SHOW OPTIONAL COLORS			
REV. LTR: E	BY: JLP	REVISED: 04/08/99 1:12	TDR: 0178636
CD0182		FILE: AAA00007528	MDL: -
		MTL: -	

BALDOR ELECTRIC Co.


TYPE S, SV, REV, 4 LEADS

CD0182A01



	LINE A	LINE B
STD	1,8	4,5
OPP	1,5	4,8

NOTES:

1. STANDARD ROTATION IS CCW FACING LEAD END
2. OPTIONAL THERMOSTAT IS PROVIDED WHEN SPECIFIED.
3. LEAD COLORS ARE OPTIONAL. LEADS MUST ALWAYS BE NUMBERED AS SHOWN.
4.  = MAGNET WIRE COIL END WITH I.D. NUMBER

REV. DESC: NEW			
REV. LTR: -	VERSION: 00	TDR: 000000435106	
10VZ810C	FILE: \CKA\00032\298	REVISED: 15:19:10 06/19/2007	
CD0182A01	MTL: -	BY: CKNTLO	

Baldor • Dodge • Reliance

TYPE S, SV, REV, 4 LD, CK

CD0182A01