

BALDOR® • ***RELIANCE***

Product Information Packet

IDXM7144T

5HP,1750RPM,3PH,60HZ,184TC,X0640M,XPFC

Part Detail							
Revision:	AH	Status:	PRD/A	Change #:		Proprietary:	No
Type:	AC	Prod. Type:	0640M	Elec. Spec:	06WGW352	CD Diagram:	CD0005
Enclosure:	XPFC	Mfg Plant:		Mech. Spec:	06J010	Layout:	06LYJ010
Frame:	184TC	Mounting:	F1	Poles:	04	Created Date:	
Base:	RG	Rotation:	R	Insulation:	F	Eff. Date:	12-23-2015
Leads:	9#16					Replaced By:	
Literature:		Elec. Diagram:					

Nameplate NP0890XPSLEV									
NO.					CC	010A			
S/N					TEMP CODE	T2B			
SPEC.	06J010W352G1				INV.TYPE	PWM			
CAT.NO.	IDX7144T				C HP FR	60		C HP TO	90
HP	5				CT HZ FROM	30		CT HZ TO	60
VOLTS	230/460				VT HZ FROM	6		VT HZ TO	60
AMPS	13/6.5				MAG CUR	6.8/3.4			
RPM	1750				MX RPM	2700			
HZ	60	PH	3	CL	F	NOM.EFF.	89.5		
SER.F.	1.00		DES	B	SL HZ	1.7		WK2	.4
FRAME	184TC		RATING	40C AMB-CONT					

AC Induction Motor Performance Data

Page 1 of 1



AC Induction Motor Performance Data

Record # 36475

Typical performance - not guaranteed values

Winding: 06WGW352	Type: 0640M	Enclosure: XPFC
--------------------------	--------------------	------------------------

Nameplate Data			General Characteristics at 460 V, 60 Hz: High Volt Connection		
Rated Output (HP)	5		Full Load Torque	15 LB-FT	
Volts	230/460		Start Configuration	DOL	
Full Load Amps	13/6.5		Break Down Torque	50 LB-FT	
R.P.M.	1750		Pull-Up Torque	30 LB-FT	
Hz	60	Phase	Locked-rotor Torque	32 LB-FT	
NEMA Design Code	B	KVA Code	Starting Current	48 Amps	
Service Factor	1		No-load Current	3.4 Amps	
NEMA Nom. Eff.	89.5	P.F.	Line-line Res. @ 25°C.	2.45 Ohms	
Rating - Duty	40C AMB-CONT		Temp. Rise @ Rated Load	47°C	
S.F. Amps			Temp. Rise @ S.F. Load		

Load Characteristics at 460 Volts, 60 Hz, 5 HP

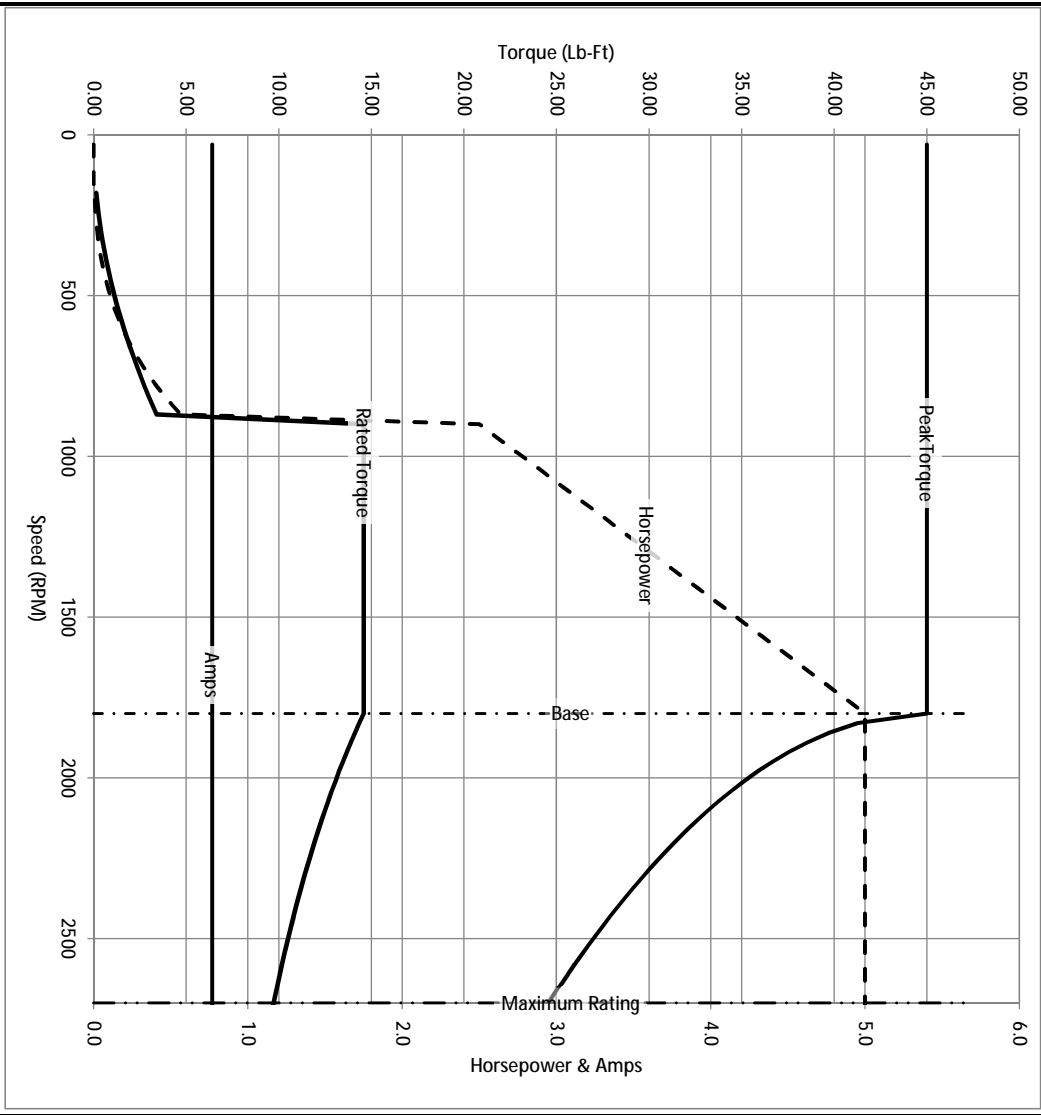
% of Rated Load	25	50	75	100	125	150	S.F.
Power Factor	40	62	75	81	90	87	
Efficiency	84.1	89.4	90.8	90.2	89.7	88.3	
Speed	1789	1778	1767	1755	1742	1729	
Line Amperes	3.6	4.3	5.2	6.4	7.2	9	

Baldor Electric Company Fort Smith, Arkansas

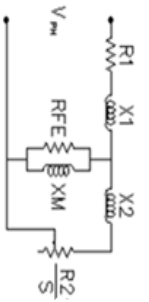


2/27/2013

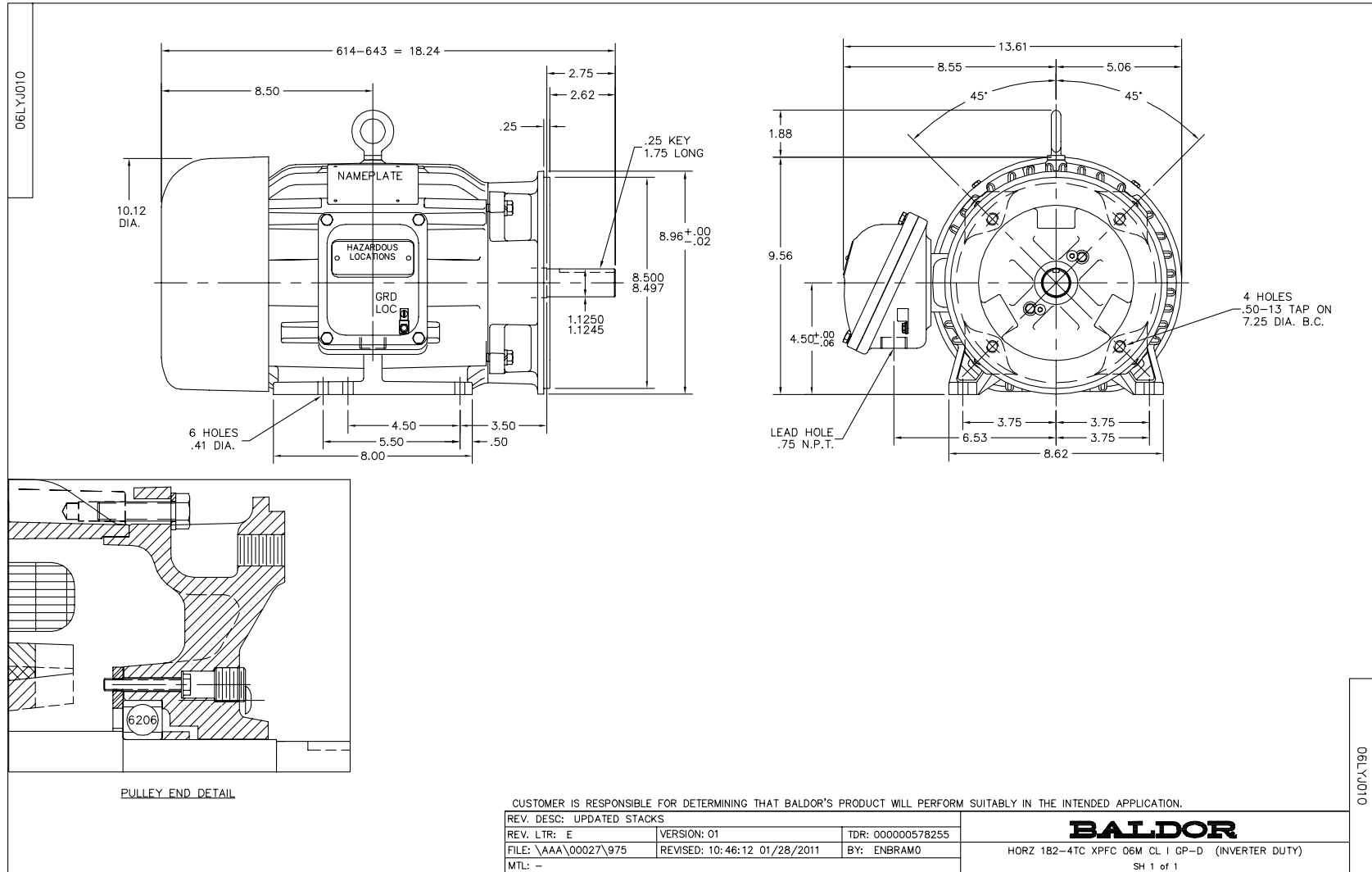
Catalog	IDXMT7144T	NIP VOLTS	230/460	ENCLOSURE	XPFC	WYE CONNECTION OHMS PER PHASE (BASE RATING, 200°)			
FRAME	184TC	NIP AMPS	13/6.5	Base Volts	460	R1	1.200	X1	2.786
HP	5 HP	DUTY	Cont	Base AMPS	6.4	R2	0.977	X2	2.177
BASE SPEED	1800	MAX SAFE RPM	2700	Slip Hz	1.50			XMI	78.683
PHASE/HZ	3/60	AMB ⁶ /C/INSUL	40/F	WK ² (lb-ft ²)	0.372				



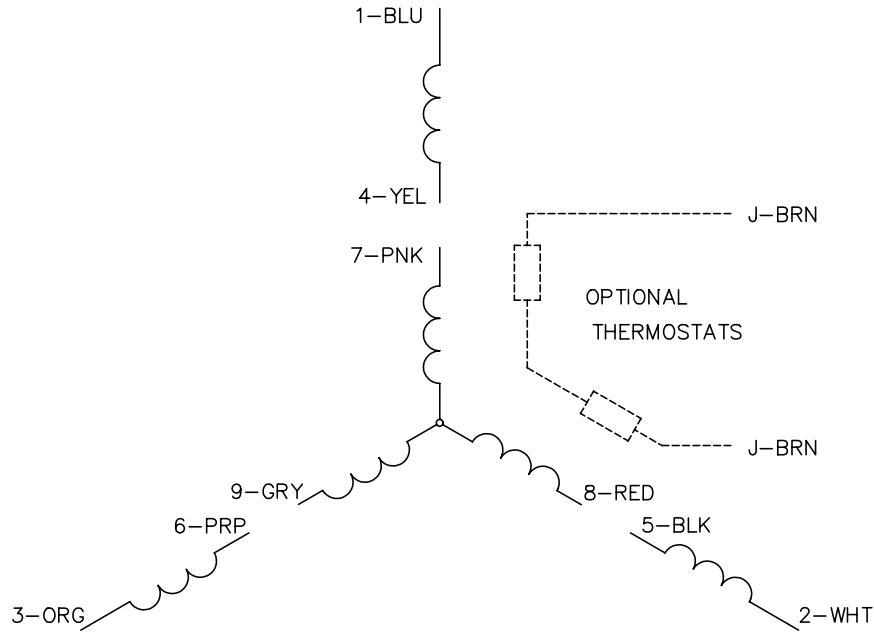
Remarks: Calculated Data



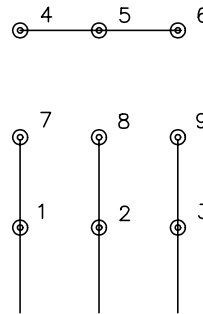
<p>A MEMBER OF THE ABB GROUP</p>	DR BY <u>ENR</u> CK BY APP BY DATE <u>2/27/2013</u>	A-C MOTOR PERFORMANCE CURVES	06J010W352G1 ISSUE DATE <u>2/27/2013</u>
----------------------------------	--	---------------------------------	---



CD0005

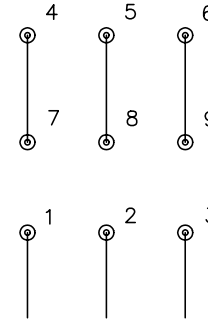


LOW VOLTAGE
(2Y)



LINE

HIGH VOLTAGE
(1Y)



LINE

NOTES:

1. INTERCHANGE ANY TWO LINE LEADS TO REVERSE ROTATION.
2. OPTIONAL THERMOSTATS ARE PROVIDED WHEN SPECIFIED.
3. ACTUAL NUMBER OF INTERNAL PARALLEL CIRCUITS MAY BE A MULTIPLE OF THOSE SHOWN ABOVE.
4. LEAD COLORS ARE OPTIONAL. LEADS MUST ALWAYS BE NUMBERED AS SHOWN.

REV. DESC: REVISE TO SHOW OPTIONAL COLORS			
REV. LTR: E	BY: JLP	REVISED: 01/19/99 10:15	TDR: 0171435
900000		FILE: AAA00005140	MDL: -
		MTL: -	

BALDOR ELECTRIC Co.

3PH, DV, 9 LEADS

CD0005