

# **BALDOR**® • ***RELIANCE***

## **Product Information Packet**

# **JMM3158T**

**3HP,3450RPM,3PH,60HZ,145JM,3528M,OPSB,F1**

Part Detail							
Revision:	F	Status:	PRD/A	Change #:		Proprietary:	No
Type:	AC	Prod. Type:	3528M	Elec. Spec:	35WGR986	CD Diagram:	CD0005
Enclosure:	OPSB	Mfg Plant:		Mech. Spec:	35NN833	Layout:	35LYNN833
Frame:	145JM	Mounting:	F1	Poles:	02	Created Date:	06-01-2010
Base:	RG	Rotation:	R	Insulation:	B	Eff. Date:	10-23-2014
Leads:	9#18					Replaced By:	
Literature:		Elec. Diagram:					

Nameplate NP1256L							
CAT.NO.	JMM3158T						
SPEC.	35NN833R986H1						
HP	3						
VOLTS	208-230/460						
AMP	8.2-7.4/3.7						
RPM	3450						
FRAME	145JM	HZ	60	PH	3		
SER.F.	1.15	CODE	K	DES	B	CLASS	B
NEMA-NOM-EFF	84	PF	89				
RATING	40C AMB-CONT						
CC	010A	USABLE AT 208V	8.2				
DE	6206	ODE	6203				
ENCL	OPSB	SN					

**AC Induction Motor Performance Data**

Record # 8846 - Typical performance - not guaranteed values

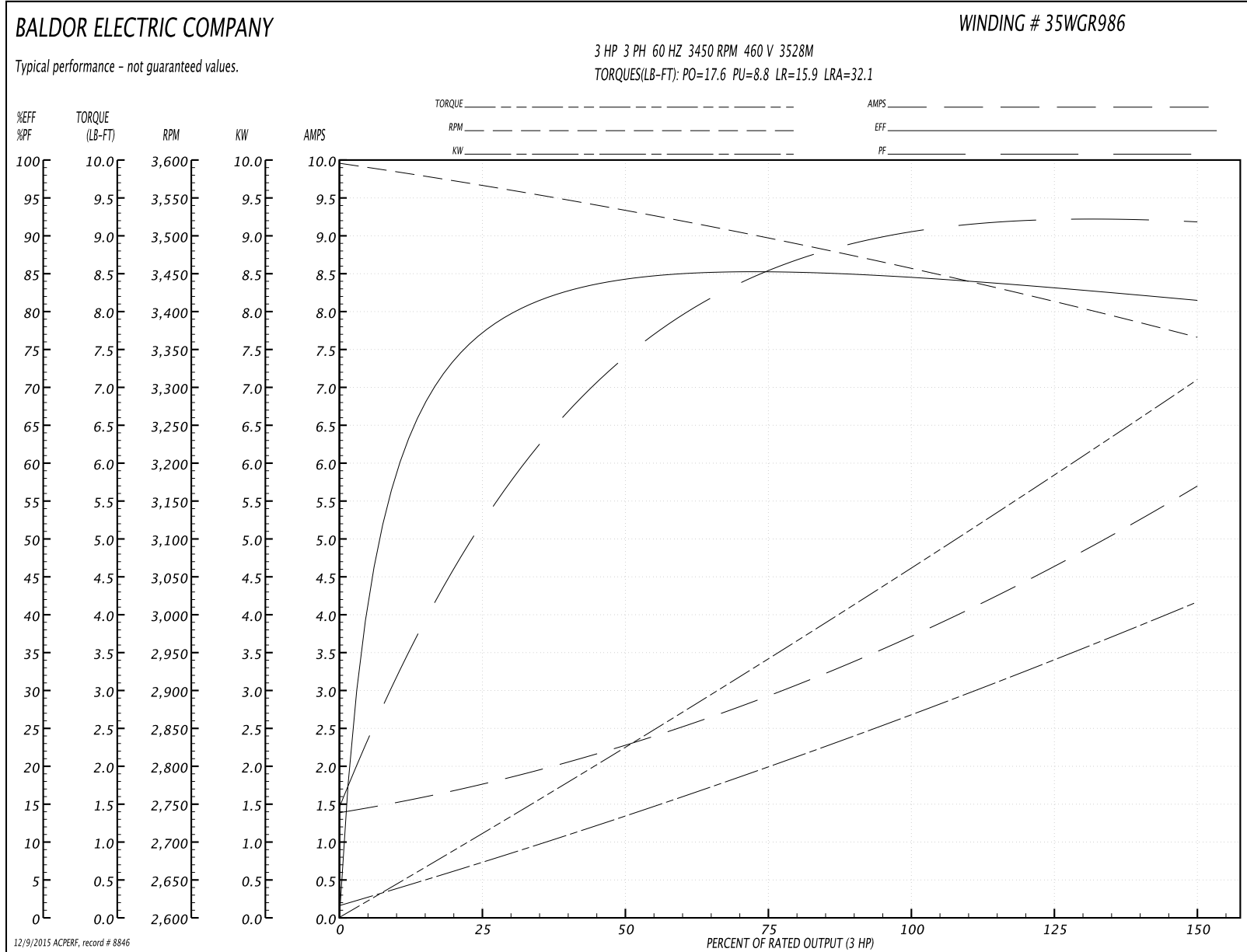
<b>Winding:</b> 35WGR986-R001	<b>Type:</b> 3528M	<b>Enclosure:</b> OPSB
-------------------------------	--------------------	------------------------

Nameplate Data				460 V, 60 Hz: High Voltage Connection	
Rated Output (HP)	3			Full Load Torque	4.74 LB-FT
Volts	208-230/460			Start Configuration	direct on line
Full Load Amps	8.2-7.4/3.7			Breakdown Torque	17.6 LB-FT
R.P.M.	3450			Pull-up Torque	8.8 LB-FT
Hz	60	Phase	3	Locked-rotor Torque	15.9 LB-FT
NEMA Design Code	B	KVA Code	K	Starting Current	32.1 A
Service Factor (S.F.)	1.15			No-load Current	1.41 A
NEMA Nom. Eff.	84	Power Factor	89	Line-line Res. @ 25°C	5.49 Ω
Rating - Duty	40C AMB-CONT			Temp. Rise @ Rated Load	39°C
S.F. Amps				Temp. Rise @ S.F. Load	47°C
				Rotor inertia	0.0767 LB-FT <sup>2</sup>

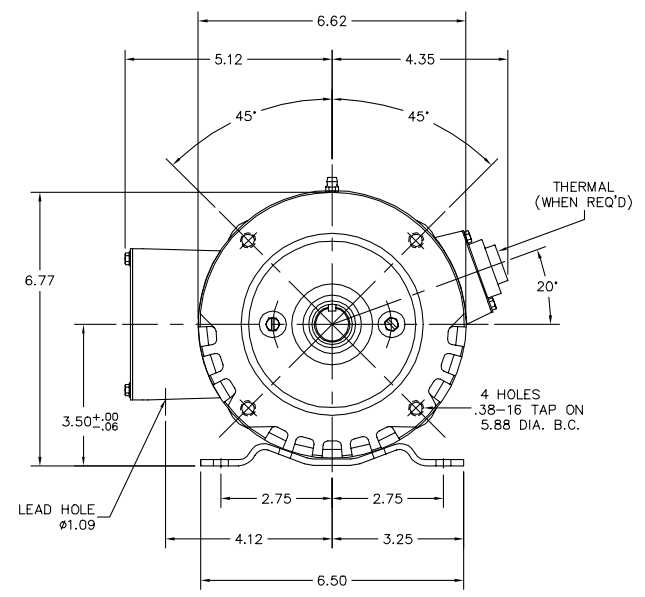
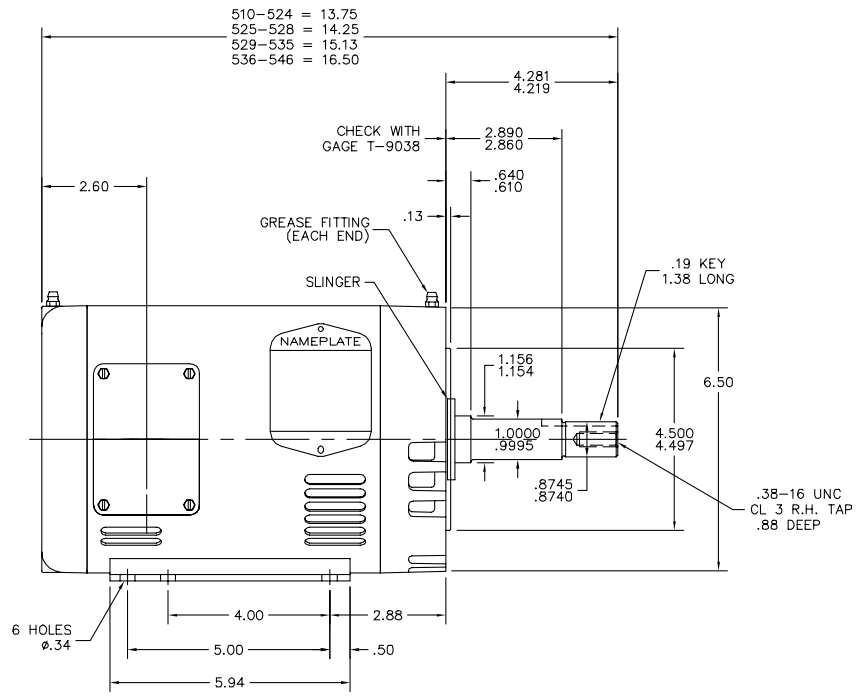
Load Characteristics 460 V, 60 Hz, 3 HP

% of Rated Load	25	50	75	100	125	150	S.F.
Power Factor	59	78	86	90	92	93	91
Efficiency	77.9	84	85.1	84.6	83.3	81.3	83.8
Speed	3562	3528	3494	3454	3412	3364	3429
Line amperes	1.76	2.32	3.02	3.84	4.7	5.69	4.36

Performance Graph at 460V, 60Hz, 3.0HP Typical performance - Not guaranteed values



35LYNN833



CUSTOMER IS RESPONSIBLE FOR DETERMINING THAT BALDOR'S PRODUCT WILL PERFORM SUITABLY IN THE INTENDED APPLICATION.

REV. DESC: ADD 35AD2005A01 TO DRWG

REV. LTR: A

VERSION: 01

TDR: 000000724760

FILE: \AAA\00187\578

REVISED: 10:47:18 12/09/2011

MTL: -

BY: ENMICW1

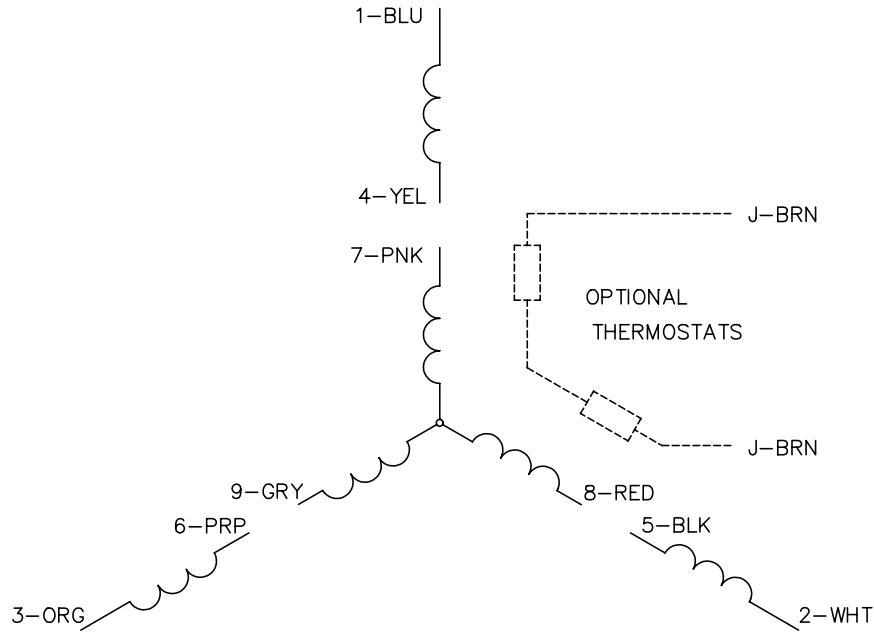
**BALDOR**

HORZ 143-5JM OPSB 35M W/SCREENS, 1.09 LEAD HOLE & "W" BASE

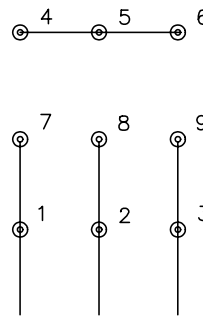
SH 1 of 1

35LYNN833

CD0005

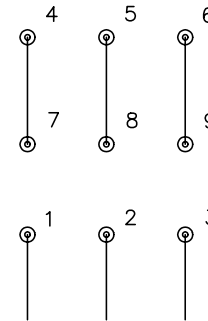


LOW VOLTAGE  
(2Y)



LINE

HIGH VOLTAGE  
(1Y)



LINE

NOTES:

1. INTERCHANGE ANY TWO LINE LEADS TO REVERSE ROTATION.
2. OPTIONAL THERMOSTATS ARE PROVIDED WHEN SPECIFIED.
3. ACTUAL NUMBER OF INTERNAL PARALLEL CIRCUITS MAY BE A MULTIPLE OF THOSE SHOWN ABOVE.
4. LEAD COLORS ARE OPTIONAL. LEADS MUST ALWAYS BE NUMBERED AS SHOWN.

REV. DESC: REVISE TO SHOW OPTIONAL COLORS			
REV. LTR: E	BY: JLP	REVISED: 01/19/99 10:15	TDR: 0171435
9000D		FILE: AAA00005140	MDL: -
		MTL: -	

**BALDOR ELECTRIC Co.**

3PH, DV, 9 LEADS

CD0005