

BALDOR® • *RELIANCE*

Product Information Packet

JMM3158T

3HP,3450RPM,3PH,60HZ,145JM,3528M,OPSB,F1

Part Detail							
Revision:	G	Status:	INA/A	Change #:		Proprietary:	No
Type:	AC	Prod. Type:	3528M	Elec. Spec:	35WGR986	CD Diagram:	CD0005
Enclosure:	OPSB	Mfg Plant:		Mech. Spec:	35NN833	Layout:	35LYNN833
Frame:	145JM	Mounting:	F1	Poles:	02	Created Date:	06-01-2010
Base:	RG	Rotation:	R	Insulation:	B	Eff. Date:	03-08-2016
Leads:	9#18					Replaced By:	
Literature:		Elec. Diagram:					

Nameplate NP1256L										
CAT.NO.	JMM3158T									
SPEC.	35NN833R986H1									
HP	3									
VOLTS	208-230/460									
AMP	8.2-7.4/3.7									
RPM	3450									
FRAME	145JM				HZ	60			PH	3
SER.F.	1.15		CODE	K	DES	B		CLASS	B	
NEMA-NOM-EFF	84		PF	89						
RATING	40C AMB-CONT									
CC	010A				USABLE AT 208V			8.2		
DE	6206				ODE	6203				
ENCL	OPSB		SN							

AC Induction Motor Performance Data

Record # 8846 - Typical performance - not guaranteed values

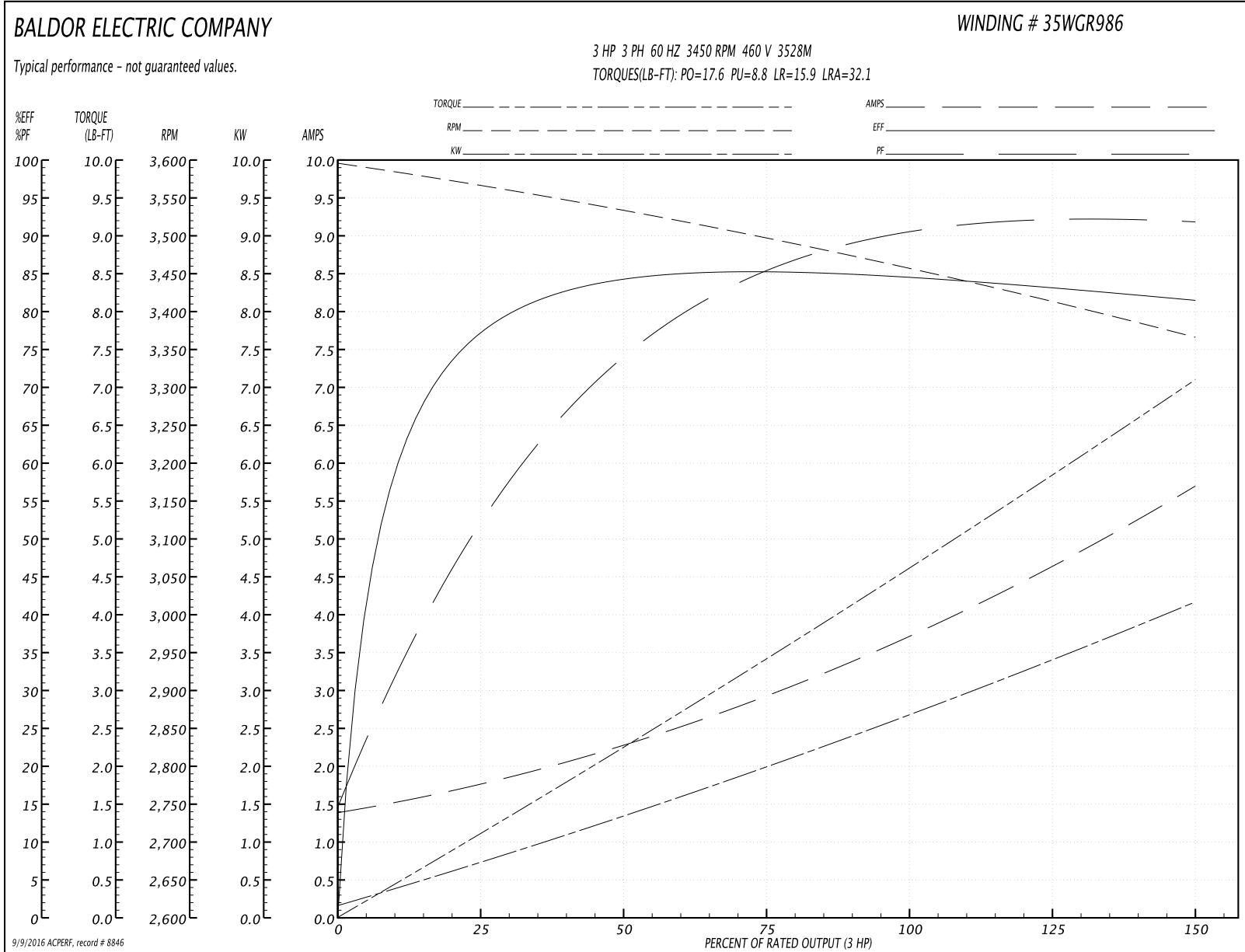
Winding: 35WGR986-R001	Type: 3528M	Enclosure: OPSB
-------------------------------	--------------------	------------------------

Nameplate Data				460 V, 60 Hz: High Voltage Connection	
Rated Output (HP)	3			Full Load Torque	4.74 LB-FT
Volts	208-230/460			Start Configuration	direct on line
Full Load Amps	8.2-7.4/3.7			Breakdown Torque	17.6 LB-FT
R.P.M.	3450			Pull-up Torque	8.8 LB-FT
Hz	60	Phase	3	Locked-rotor Torque	15.9 LB-FT
NEMA Design Code	B	KVA Code	K	Starting Current	32.1 A
Service Factor (S.F.)	1.15			No-load Current	1.41 A
NEMA Nom. Eff.	84	Power Factor	89	Line-line Res. @ 25°C	5.49 Ω
Rating - Duty	40C AMB-CONT			Temp. Rise @ Rated Load	39°C
S.F. Amps				Temp. Rise @ S.F. Load	47°C
				Rotor inertia	0.0767 LB-FT ²

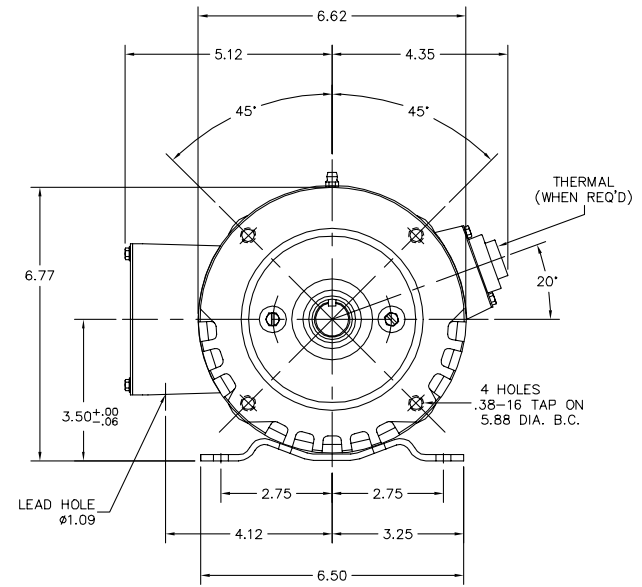
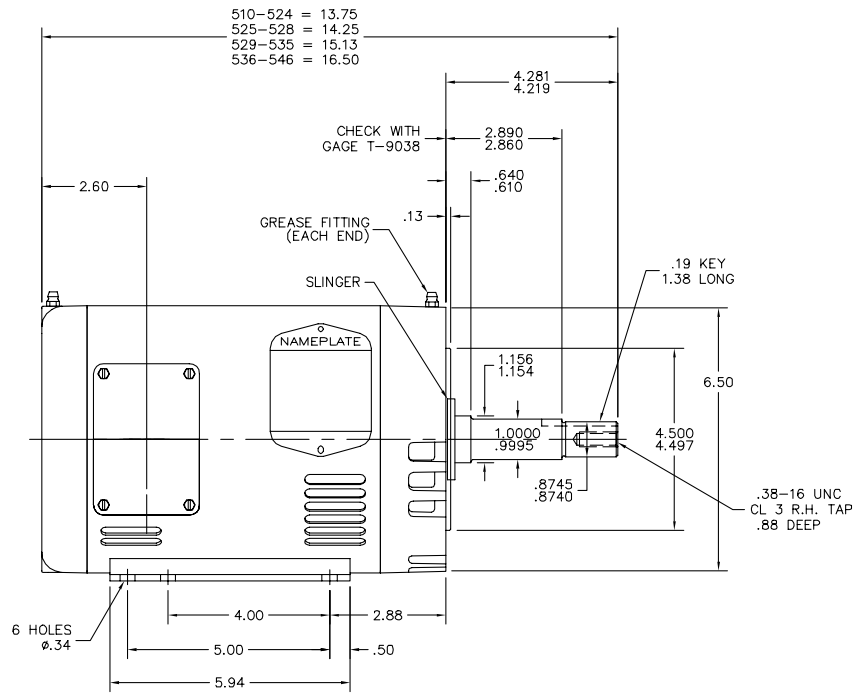
Load Characteristics 460 V, 60 Hz, 3 HP

% of Rated Load	25	50	75	100	125	150	S.F.
Power Factor	59	78	86	90	92	93	91
Efficiency	77.9	84	85.1	84.6	83.3	81.3	83.8
Speed	3562	3528	3494	3454	3412	3364	3429
Line amperes	1.76	2.32	3.02	3.84	4.7	5.69	4.36

Performance Graph at 460V, 60Hz, 3.0HP Typical performance - Not guaranteed values



35LYNN833



CUSTOMER IS RESPONSIBLE FOR DETERMINING THAT BALDOR'S PRODUCT WILL PERFORM SUITABLY IN THE INTENDED APPLICATION.

REV. DESC: ADD 35AD2005A01 TO DRWG

REV. LTR: A

VERSION: 01

TDR: 000000724760

FILE: \AAA\00187\578

REVISED: 10:47:18 12/09/2011

MTL: -

BY: ENMICW1

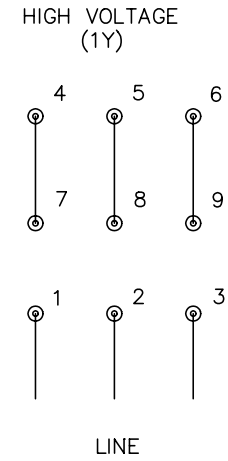
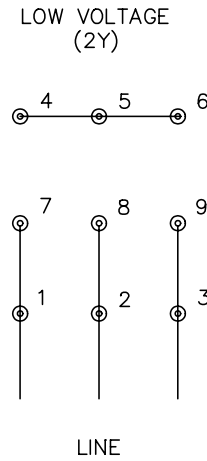
BALDOR

HORZ 143-5JM OPSB 35M W/SCREENS, 1.09 LEAD HOLE & "W" BASE

SH 1 of 1

35LYNN833

CD0005



- NOTES:
1. INTERCHANGE ANY TWO LINE LEADS TO REVERSE ROTATION.
 2. OPTIONAL THERMOSTATS ARE PROVIDED WHEN SPECIFIED.
 3. ACTUAL NUMBER OF INTERNAL PARALLEL CIRCUITS MAY BE A MULTIPLE OF THOSE SHOWN ABOVE.
 4. LEAD COLORS ARE OPTIONAL. LEADS MUST ALWAYS BE NUMBERED AS SHOWN.

REV. DESC: REVISE TO SHOW OPTIONAL COLORS			
REV. LTR: E	BY: JLP	REVISED: 01/19/99 10:15	TDR: 0171435
9000D		FILE: AAA00005140	MDL: -
		MTL: -	

BALDOR ELECTRIC Co.

3PH, DV, 9 LEADS

CD0005