

BALDOR® • RELIANCE

Product Information Packet

JMSSEWDM3710T

7.5HP, 1770RPM, 3PH, 60HZ, 213JM, 3739M, TEFC

Part Detail							
Revision:	M	Status:	PRD/A	Change #:		Proprietary:	No
Type:	AC	Prod. Type:	3739M	Elec. Spec:	37WGS250	CD Diagram:	CD0005
Enclosure:	TEFC	Mfg Plant:		Mech. Spec:	37J863	Layout:	37LYJ863
Frame:	213JM	Mounting:	F1	Poles:	04	Created Date:	01-25-2011
Base:	RG	Rotation:	R	Insulation:	H	Eff. Date:	06-08-2016
Leads:	9#14					Replaced By:	
Literature:		Elec. Diagram:					

Nameplate NP1953C01										
CAT.NO.	JMSSEWDM3710T									
SPEC.	37J863S250G1									
HP	7.5									
VOLTS	230/460									
AMP	19/9.5									
RPM	1770									
FRAME	213JM				HZ	60			PH	3
SER.F.	1.15		CODE	J	DES	A		CLASS	H	
NEMA-NOM-EFF	91.7			PF	81					
RATING	40C AMB-CONT									
CC	010A				USABLE AT 208V			20		
DE	6309			ODE	6307					
ENCL	TEFC		SN							

AC Induction Motor Performance Data

Record # 57388 - Typical performance - not guaranteed values

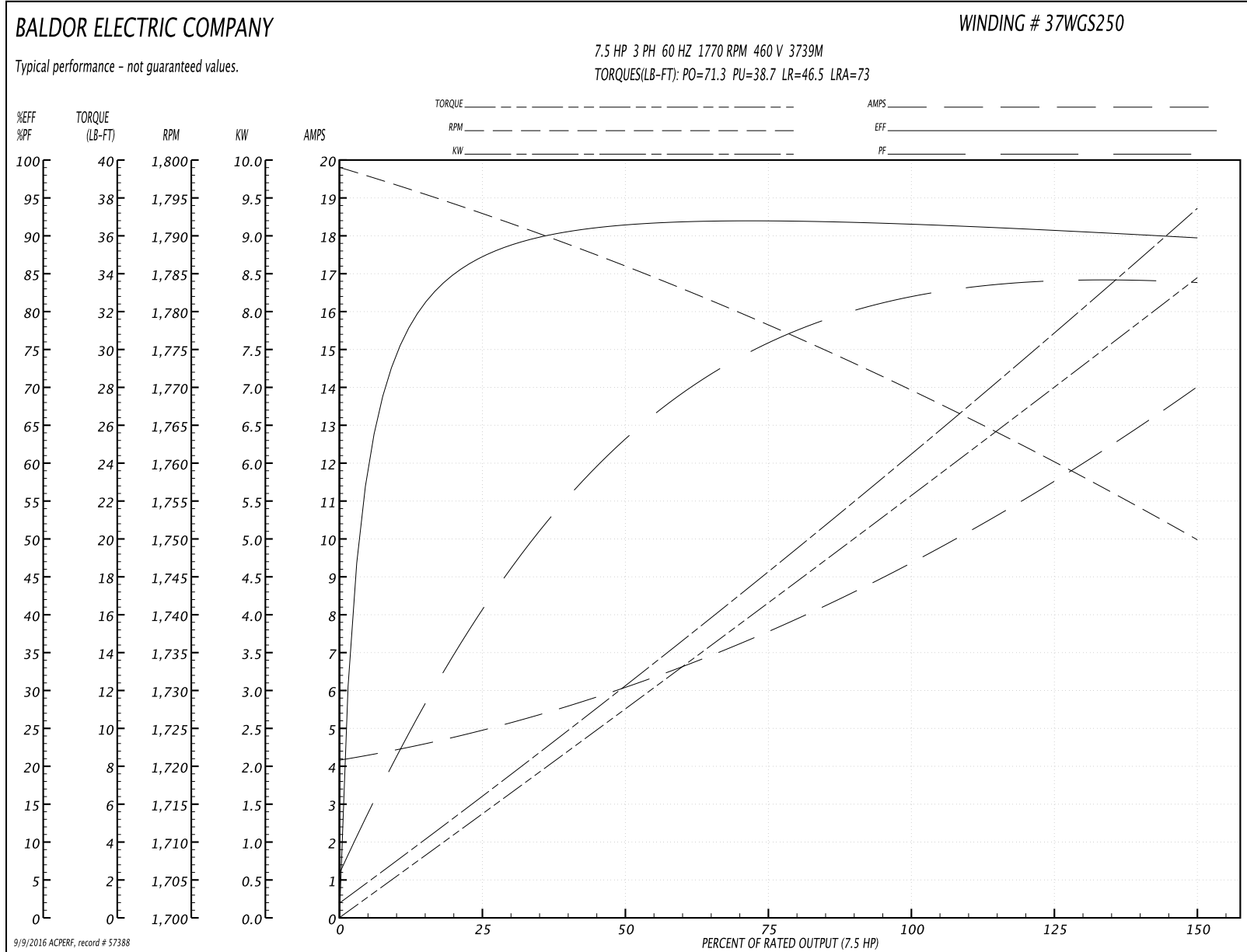
Winding: 37WGS250-R015	Type: 3739M	Enclosure: TEFC
-------------------------------	--------------------	------------------------

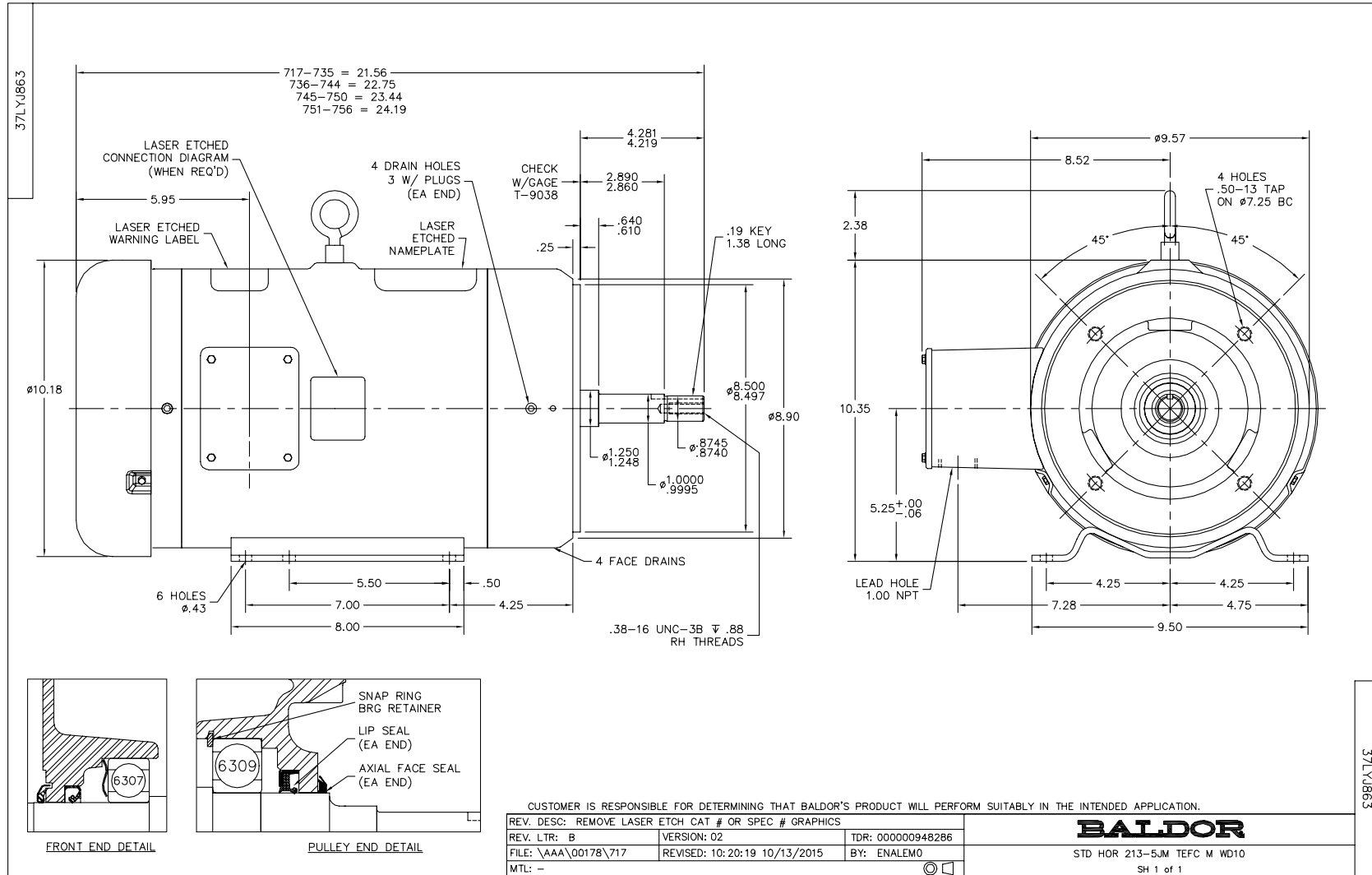
Nameplate Data				460 V, 60 Hz: High Voltage Connection	
Rated Output (HP)	7.5			Full Load Torque	22.3 LB-FT
Volts	230/460			Start Configuration	direct on line
Full Load Amps	19/9.5			Breakdown Torque	71.3 LB-FT
R.P.M.	1770			Pull-up Torque	38.7 LB-FT
Hz	60	Phase	3	Locked-rotor Torque	46.5 LB-FT
NEMA Design Code	A	KVA Code	J	Starting Current	73 A
Service Factor (S.F.)	1.15			No-load Current	4.3 A
NEMA Nom. Eff.	91.7	Power Factor	81	Line-line Res. @ 25°C	1.35 Ω
Rating - Duty	40C AMB-CONT			Temp. Rise @ Rated Load	69°C
S.F. Amps				Temp. Rise @ S.F. Load	85°C
				Rotor inertia	0.959 LB-FT ²

Load Characteristics 460 V, 60 Hz, 7.5 HP

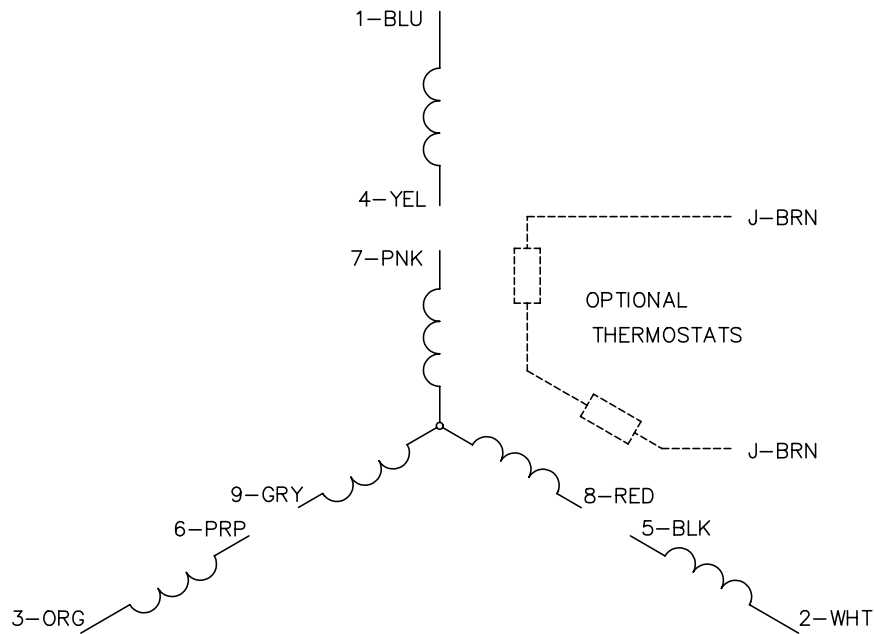
% of Rated Load	25	50	75	100	125	150	S.F.
Power Factor	42	65	75	81	83	85	82
Efficiency	86.9	91.1	92.1	91.7	90.8	89.7	91.2
Speed	1793	1786	1778	1770	1760	1750	1764
Line amperes	4.8	5.95	7.62	9.47	11.6	13.9	10.7

Performance Graph at 460V, 60Hz, 7.5HP Typical performance - Not guaranteed values

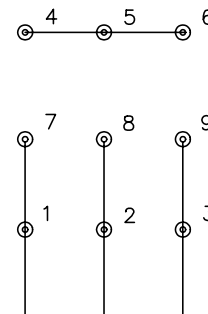




CD0005

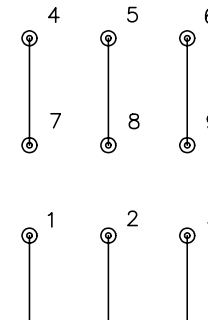


LOW VOLTAGE
(2Y)



LINE

HIGH VOLTAGE
(1Y)



LINE

NOTES:

1. INTERCHANGE ANY TWO LINE LEADS TO REVERSE ROTATION.
2. OPTIONAL THERMOSTATS ARE PROVIDED WHEN SPECIFIED.
3. ACTUAL NUMBER OF INTERNAL PARALLEL CIRCUITS MAY BE A MULTIPLE OF THOSE SHOWN ABOVE.
4. LEAD COLORS ARE OPTIONAL. LEADS MUST ALWAYS BE NUMBERED AS SHOWN.

REV. DESC: REVISE TO SHOW OPTIONAL COLORS			
REV. LTR: E	BY: JLP	REVISED: 01/19/99 10:15	TDR: 0171435
900003		FILE: AAA00005140	MDL: -
		MTL: -	

BALDOR ELECTRIC Co.

3PH, DV, 9 LEADS

CD0005