

BALDOR® • RELIANCE

Product Information Packet

VNM3538

.5HP,1725RPM,3PH,60HZ,56C,3416M,TENV,F1

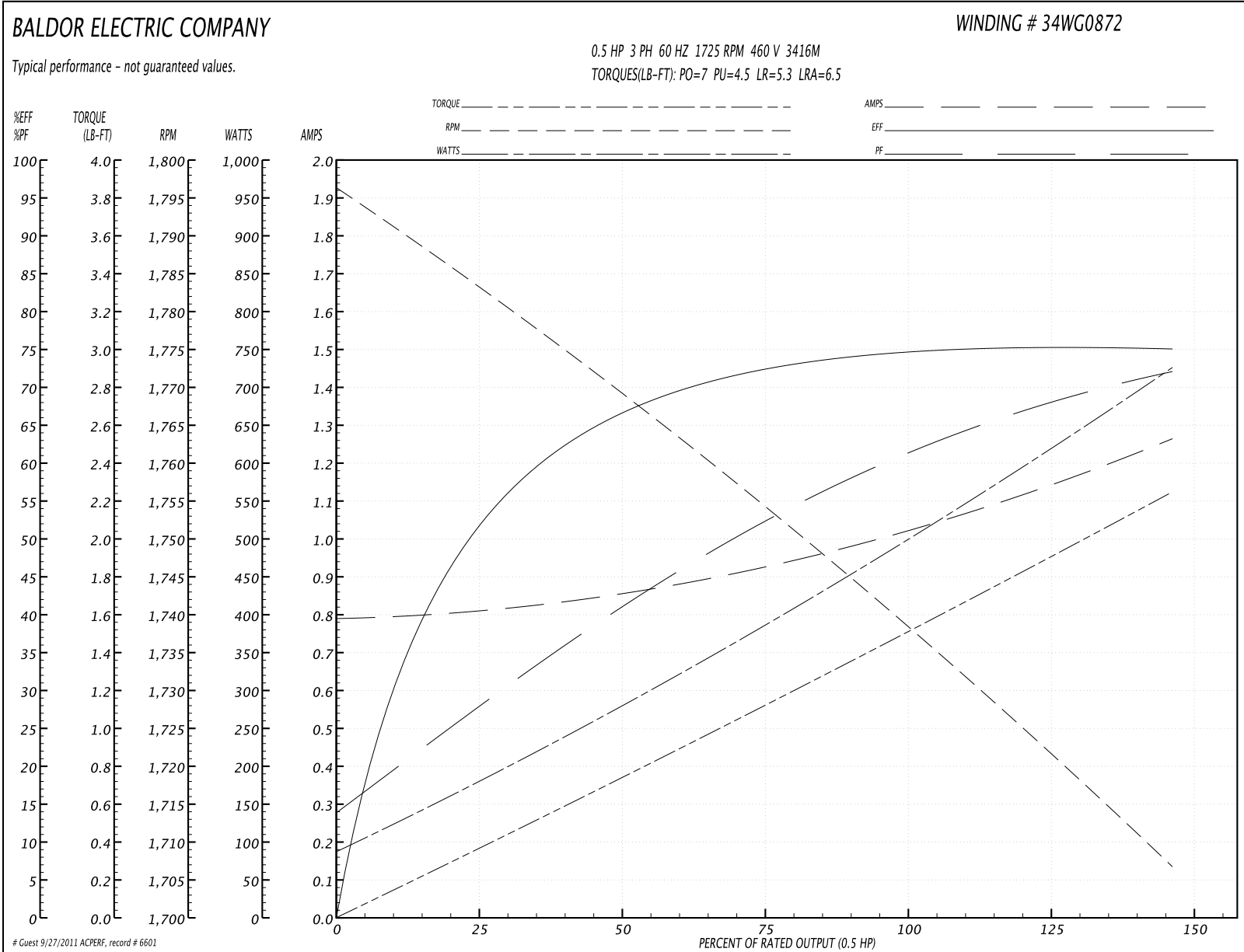
Part Detail							
Revision:	R	Status:	PRD/A	Change #:		Proprietary:	No
Type:	AC	Prod. Type:	3416M	Elec. Spec:	34WG0872	CD Diagram:	
Enclosure:	TENV	Mfg Plant:		Mech. Spec:	34K013	Layout:	
Frame:	56C	Mounting:	F1	Poles:	04	Created Date:	
Base:	N	Rotation:	R	Insulation:	F	Eff. Date:	06-16-2011
Leads:	9#18	Literature:		Elec. Diagram:		Replaced By:	

Nameplate NP1256L									
CAT.NO.	VNM3538								
SPEC.	34K13-872								
HP	.5								
VOLTS	208-230/460								
AMP	2.1-2/1								
RPM	1725								
FRAME	56C	HZ			60	PH	3		
SER.F.	1.00	CODE			L	DES	B	CLASS	F
NEMA-NOM-EFF	74	PF			63				
RATING	40C AMB-CONT								
CC				USABLE AT 208V		2.1			
DE	6203	ODE			6203				
ENCL	TENV	SN							

Parts List		
Part Number	Description	Quantity
SA008079	SA 34K13-872	1.000 EA
RA004526	RA 34K13-872	1.000 EA
NS2512A01	INSULATOR, CONDUIT BOX X	1.000 EA
34CB3002A	CB CAST W/.88 DIA HOLE	1.000 EA
34GS1029A01	GASKET, CONDUIT BOX	1.000 EA
51XB1016A07	10-16 X 7/16 HXWSSLD SERTYB	2.000 EA
11XW1032G06	10-32 X .38, TAPTITE II, HEX WSHR SLTD U	1.000 EA
34EP3100A03SP	FR ENDPLATE, MACH	1.000 EA
HW5100A03SP	WAVY WASHER (W1543-017)	1.000 EA
34EP3300A24SP	PU ENDPLATE, MACH	1.000 EA
51XN1032A20	10-32 X 1 1/4 HX WS SL SR	2.000 EA
34CB4517	CB LID 4 MTG HOLES .22 DIA STAMPED, FOR	1.000 EA
34GS1031A01	GASKET, FLAT CONDUIT BOX LID (LEXIDE)	1.000 EA
51XW0832A07	8-32 X .44, TAPTITE II, HEX WSHR SLTD SE	4.000 EA
HW2501D13SP	KEY, 3/16 SQ X 1.375	1.000 EA
HA7000A04	KEY RETAINER 0.625 DIA SHAFTS	1.000 EA
MG1000G27	PAINT- S9282E CHARCOAL GREY 55 GALLONS	0.014 GA
10XF0440S02	04-40 X 1/8 TYPE F HEX HD STAINLESS STIC	2.000 EA
HA3100A12	THRUBOLT 10-32 X 7.375	4.000 EA
LB1125C01	STD (STOCK) CARTON LABEL BALDOR WITH FLA	1.000 EA
LC0005E01	CONN.DIA./WARNING LABEL (LC0005/LB1119)	1.000 EA
NP1256L	ALUM, UL CSA CC, W/O THERMAL, LASER	1.000 EA
34PA1002	PACKING GROUP, BALDOR	1.000 EA
PK3083T	STYROFOAM PACKING CRADLE W/TAPE	1.000 EA

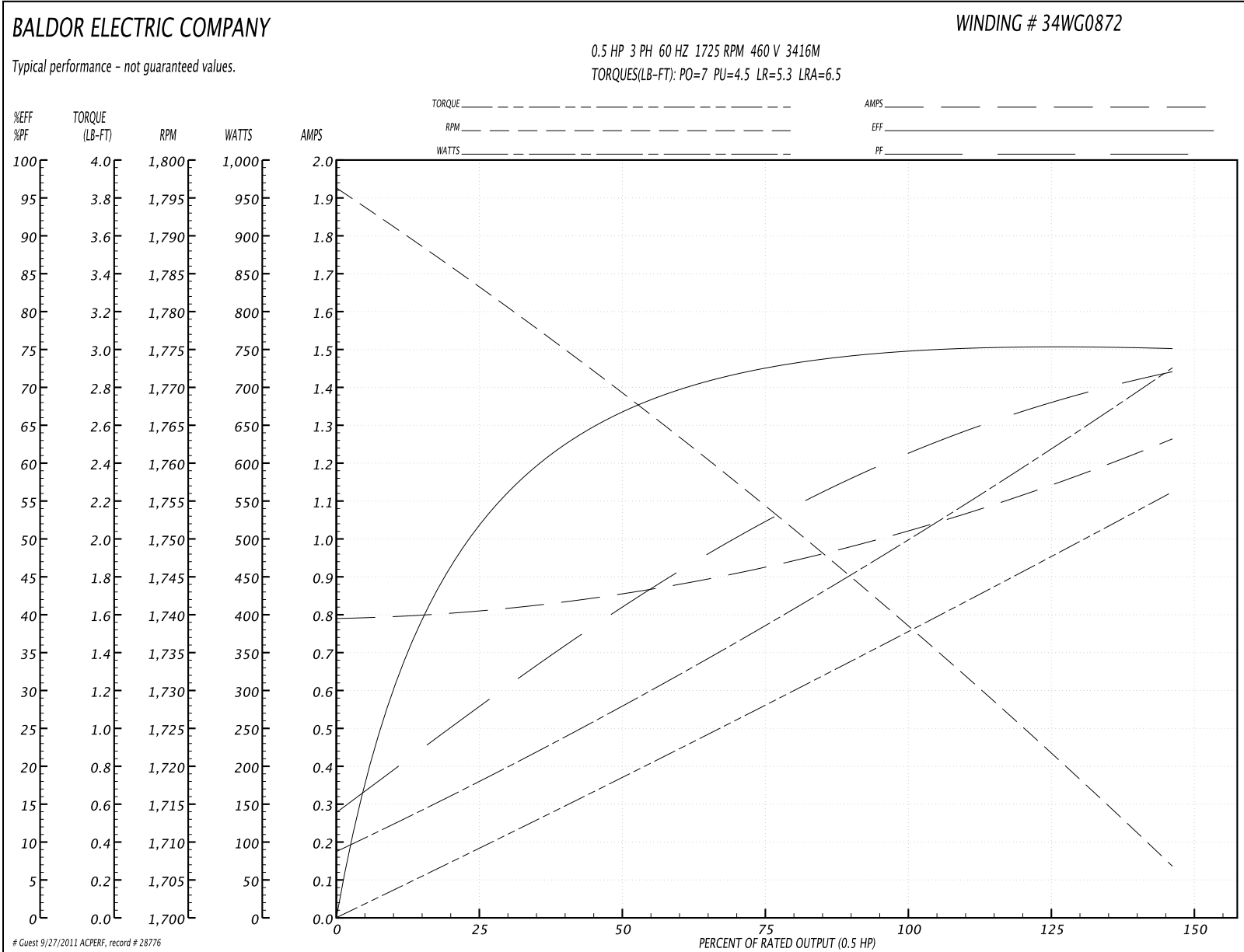
Performance Data at 460V, 60Hz, 0.5HP (Typical performance - Not guaranteed values)							
General Characteristics							
Full Load Torque:	1.5 LB-FT			Start Configuration:	DOL		
No-Load Current:	0.8 Amps			Break-Down Torque:	7.0 LB-FT		
Line-line Res. @ 25°C.:	32.0 Ohms A Ph / 0.0 Ohms B Ph			Pull-Up Torque:	4.5 LB-FT		
Temp. Rise @ Rated Load:				Locked-Rotor Torque:	5.3 LB-FT		
Temp. Rise @ S.F. Load:				Starting Current:	6.5 Amps		
Load Characteristics							
% of Rated Load	25	50	75	100	125	150	S.F.
Power Factor:	30.0	43.0	55.0	63.0	69.0	75.0	0.0
Efficiency:	53.2	66.4	72.5	74.6	75.3	75.1	0.0
Speed:	1782.0	1769.0	1754.0	1739.0	1724.0	1706.0	0.0
Line Amperes:	0.8	0.85	0.92	1.03	1.15	1.25	0.0

Performance Graph at 460V, 60Hz, 0.5HP Typical performance - Not guaranteed values

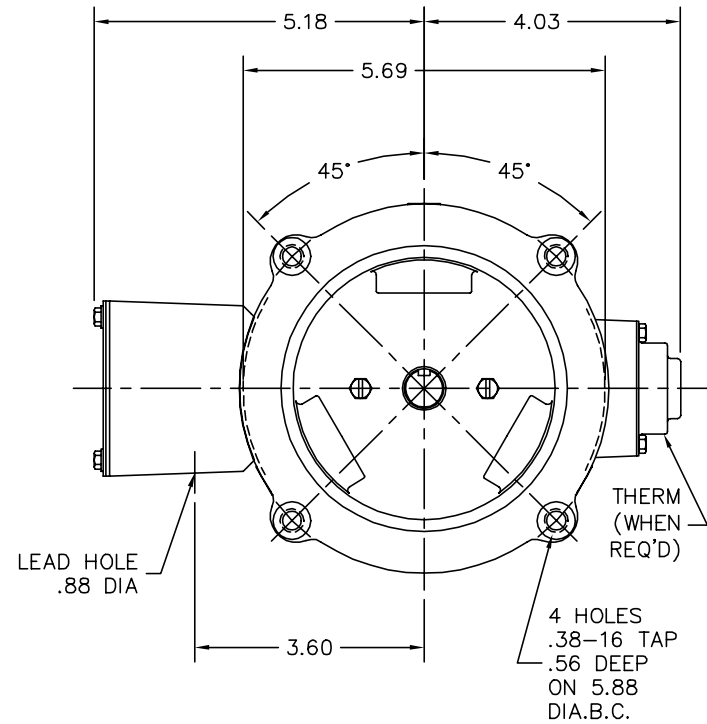
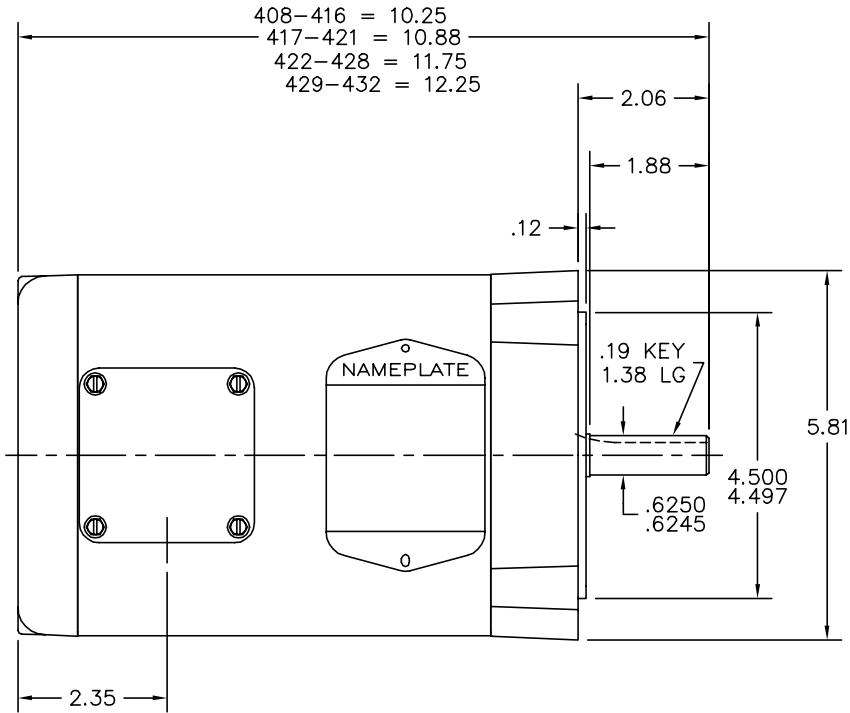


Performance Data at 460V, 60Hz, 0.5HP (Typical performance - Not guaranteed values)							
General Characteristics							
Full Load Torque:	1.5 LB-FT			Start Configuration:	DOL		
No-Load Current:	0.8 Amps			Break-Down Torque:	7.0 LB-FT		
Line-line Res. @ 25°C.:	33.4 Ohms A Ph / 0.0 Ohms B Ph			Pull-Up Torque:	4.5 LB-FT		
Temp. Rise @ Rated Load:	106 C			Locked-Rotor Torque:	5.3 LB-FT		
Temp. Rise @ S.F. Load:				Starting Current:	6.5 Amps		
Load Characteristics							
% of Rated Load	25	50	75	100	125	150	S.F.
Power Factor:	28.0	42.0	53.0	61.0	67.0	73.0	0.0
Efficiency:	53.3	66.4	72.7	74.6	75.5	75.1	0.0
Speed:	1782.0	1769.0	1754.0	1739.0	1724.0	1706.0	0.0
Line Amperes:	0.8	0.85	0.92	1.03	1.15	1.25	0.0

Performance Graph at 460V, 60Hz, 0.5HP Typical performance - Not guaranteed values



34LYK013



CUSTOMER IS RESPONSIBLE FOR DETERMINING THAT MOTOR PERFORMANCE IS SUITABLE IN THE APPLICATION.

REV. DESC: UPDATE ACAD & KBOX			
REV. LTR: D	BY: RT	REVISED: 14:11:23 02/04/2005	TDR: 355794
34LYK013		FILE: AAA00026147	REF: 34LYK013
		MTL: -	

BALDOR ELECTRIC Co.

STD VERT MODEL 34M NEMA 56C TENV

34LYK013

CD0005

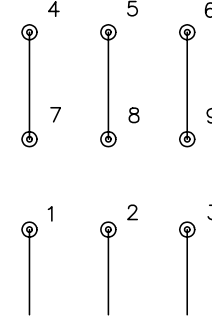


LOW VOLTAGE
(2Y)



LINE

HIGH VOLTAGE
(1Y)



LINE

NOTES:

1. INTERCHANGE ANY TWO LINE LEADS TO REVERSE ROTATION.
2. OPTIONAL THERMOSTATS ARE PROVIDED WHEN SPECIFIED.
3. ACTUAL NUMBER OF INTERNAL PARALLEL CIRCUITS MAY BE A MULTIPLE OF THOSE SHOWN ABOVE.
4. LEAD COLORS ARE OPTIONAL. LEADS MUST ALWAYS BE NUMBERED AS SHOWN.

REV. DESC: REVISE TO SHOW OPTIONAL COLORS			
REV. LTR: E	BY: JLP	REVISED: 01/19/99 10:15	TDR: 0171435
900000		FILE: AAA00005140	MDL: -
		MTL: -	

BALDOR ELECTRIC Co.

3PH, DV, 9 LEADS

CD0005