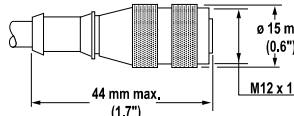
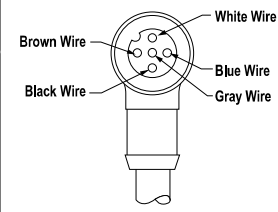
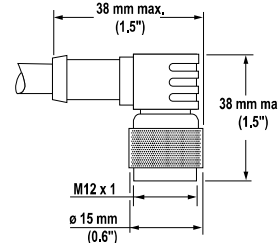











Quick-Disconnect (QD) Cables

Style	Model	Length	Dimensions	Pinout
5-pin Euro-style straight	MQDC1-506 MQDC1-515 MQDC1-530	2 m (6.5') 5 m (15') 9 m (30')		
5-pin Euro-style right-angle	MQDC1-506RA MQDC1-515RA MQDC1-530RA	2 m (6.5') 5 m (15') 9 m (30')		

Mounting Brackets

Bracket dimensions are available online at www.bannerengineering.com.

SMB312S	<ul style="list-style-type: none"> Stainless steel 2-axis, side-mount bracket 		SMB46U	<ul style="list-style-type: none"> "U" bracket 14 ga 316 stainless steel 	
SMB312B	<ul style="list-style-type: none"> Stainless steel 2-axis, bottom-mount bracket Includes mounting foot 		SMB18A	<ul style="list-style-type: none"> 12-ga. stainless steel right-angle mounting bracket with curved mounting slot for versatile orientation Clearance for M4 (#8) hardware 	
SMB312PD	<ul style="list-style-type: none"> Stainless steel 18 mm barrel-mount bracket 		SMB18FA	<ul style="list-style-type: none"> 14-ga. 304 stainless steel 18 mm swivel bracket with tilt and pan movement for precision adjusting 	
SMB46L	<ul style="list-style-type: none"> "L" bracket 14 ga 316 stainless steel 		SMB18Q	<ul style="list-style-type: none"> 12-ga. stainless steel 18 mm angled flanged bracket 	
SMB46S	<ul style="list-style-type: none"> "S" bracket 14 ga 316 stainless steel 		SMB18SF	<ul style="list-style-type: none"> 18 mm swivel, black reinforced thermoplastic polyester bracket Stainless steel mounting hardware included 	