



Application

INLINE enclosures house and protect sensitive electrical or electronic components from harsh, dirty environments. Their streamlined styling, flush latches, and attractive, durable finish complement sophisticated electronic equipment. For use in installations where dirt, dust, oil, water, or other contaminants are present. INLINE window enclosures are uniquely suited to protect field bus components and other instrumentation devices.

See EMC Enclosures for a related EMC-shielded product.

Construction

- Metric sizes
- 1.4mm (16 gauge) steel
- Seams continuously welded and ground smooth
- Body flange trough excludes liquids and contaminants from the enclosure opening
- Large perimeter opening facilitates component installation, maintenance, or conversion
- Fastening holes in back of body for direct mounting or optional external mounting brackets
- Seamless foam-in-place gasket
- Grounding stud on the body
- Bonding provision on the cover or door
- Furnished hardware kit includes panel mounting screws, grounding hardware, and sealing washers for wall-mounting holes
- Installation instructions for enclosure and accessories
- Optional 2.7mm (12 gauge) panels are available

INLINE screw cover enclosures

- Captivated cover screws with sealing bushings

INLINE hinged door enclosures

- 180° door opening
- Removable hinge pins
- Self-grounding slotted quarter-turn latch system with double seal provides maximum protection against contamination

INLINE window door enclosures

- Flush-mounted 4.8mm (3/16-in.) clear polycarbonate window
- 180° door opening
- Removable hinge pins
- Self-grounding, slotted quarter-turn latch

Finish

RAL 7035 textured light gray polyester powder paint inside and over phosphatized surfaces. Subpanels are available in white enamel or conductive finish.

Industry Standards

Mounting brackets required to meet UL/CSA external mounting requirements.

INLINE screw cover enclosures

UL 508A, File No. E61997: Type 4 and 12
NEMA/EEMAC Type 4 and 12
CSA, File No. 42186: Type 4 and 12
VDE IP66IEC 60529, IP66

INLINE hinged door enclosures

UL 508A, File No. E61997: Type 4 and 12
NEMA/EEMAC Type 4 and 12
CSA, File No. 42186: Type 4 and 12
VDE IP66IEC 60529, IP66

INLINE window door enclosures

UL 508A, File No. E61997: Type 4, 12
NEMA/EEMAC Type 12
CSA, File No. 42186: Type 12
VDE IP55IEC 60529, IP66

Patents

This product is covered by the following patent:

US 5,683,005

Accessories

DIN Rail or Panel Mounting Bracket
DIN3 Rails
Grounding Kit (LLGK)
Key Inserts
Mounting Bracket Kit (LMFK)
Panels (see table)
Touch-Up Paint (ATPG7035)
Wing Knob Latch (LLKWK)

Modification Services Program

You can customize this product to your unique requirements by specifying from these options:

- Over 100 standard finish colors and textures
- Holes and cutouts in body, doors, subpanels
- Tapped holes, fasteners in enclosure or subpanel
- Mounting
- Doors
- Environmental control (louvers, fans, filters)
- Standard accessories

To order, contact your local Hoffman sales representative.

NOTE: For information about modifications outside the scope of the Modification Services program, contact your Hoffman sales representative.

Standard Sizes INLINE Screw Cover Enclosures

Catalog Number	A x B x C mm (in.)	Panel Catalog Number	Conductive Panel Catalog Number	Panel Size D x E (mm)	Panel Size D x E (in.)	Mounting G x H (mm)	Mounting G x H (in.)	F (mm)	F (in.)
LSC151512	150 x 150 x 120 (5.91 x 5.91 x 4.72)	LP1515	LP1515G	131 x 131	5.16 x 5.16	132 x 85	5.20 x 3.35	105	4.13
LSC201512	200 x 150 x 120 (7.87 x 5.91 x 4.72)	LP2015	LP2015G	181 x 131	7.13 x 5.16	182 x 85	7.17 x 3.35	105	4.13
LSC252015	250 x 200 x 150 (9.84 x 7.87 x 5.91)	LP2520	LP2520G	231 x 181	9.09 x 7.13	232 x 135	9.13 x 5.31	135	5.31
LSC302515	300 x 250 x 150 (11.81 x 9.84 x 5.91)	LP3025	LP3025G	281 x 231	11.06 x 9.09	282 x 185	11.10 x 7.28	135	5.31
LSC353020	350 x 300 x 200 (13.78 x 11.81 x 7.87)	LP3530	LP3530G	331 x 281	13.03 x 11.06	332 x 235	13.07 x 9.25	185	7.28

Purchase panels separately.

Standard Sizes INLINE Hinged Door Enclosures

Catalog Number	A x B x C mm (in.)	Panel Catalog Number	Conductive Panel Catalog Number	Panel Size D x E (mm)	Panel Size D x E (in.)	Mounting G x H (mm)	Mounting G x H (in.)	F (mm)	F (in.)
LHC151512	150 x 150 x 120 (5.91 x 5.91 x 4.72)	LP1515	LP1515G	131 x 131	5.16 x 5.16	132 x 85	5.20 x 3.35	105	4.13
LHC201512	200 x 150 x 120 (7.87 x 5.91 x 4.72)	LP2015	LP2015G	181 x 131	7.13 x 5.16	182 x 85	7.17 x 3.35	105	4.13
LHC252015	250 x 200 x 150 (9.84 x 7.87 x 5.91)	LP2520	LP2520G	231 x 181	9.09 x 7.13	232 x 135	9.13 x 5.31	135	5.31
LHC302515	300 x 250 x 150 (11.81 x 9.84 x 5.91)	LP3025	LP3025G	281 x 231	11.06 x 9.09	282 x 185	11.10 x 7.28	135	5.31
LHC353020	350 x 300 x 200 (13.78 x 11.81 x 7.87)	LP3530	LP3530G	331 x 281	13.03 x 11.06	332 x 235	13.07 x 9.25	185	7.28

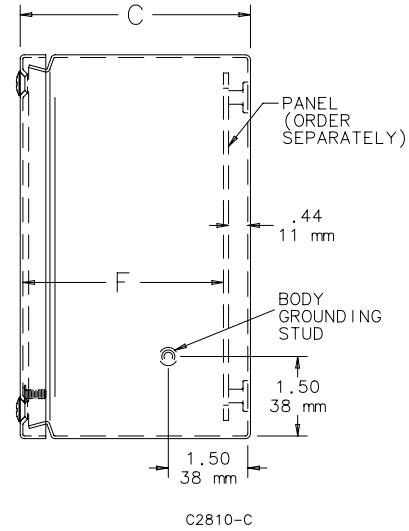
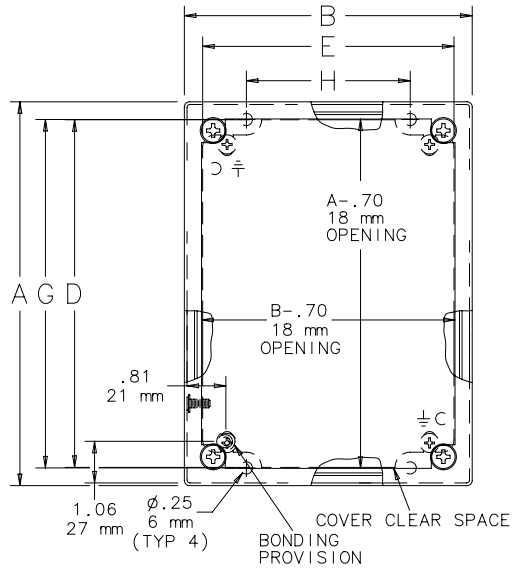
Purchase panels separately.

Standard Sizes INLINE Window Door Enclosures

Catalog Number	A x B x C mm (in.)	Panel Catalog Number	Conductive Panel Catalog Number	Panel Size D x E (mm)	Panel Size D x E (in.)	Mounting G x H (mm)	Mounting G x H (in.)	Window Size (mm)	Window Size (in.)	F (mm)	F (in.)
LWC201512	200 x 150 x 120 (7.87 x 5.91 x 4.72)	LP2015	LP2015G	181 x 131	7.13 x 5.16	182 x 85	7.17 x 3.35	149 x 65	5.87 x 2.31	101	34.98
LWC252015	250 x 200 x 150 (9.84 x 7.87 x 5.91)	LP2520	LP2520G	231 x 181	9.09 x 7.13	232 x 135	9.13 x 5.31	199 x 115	7.83 x 4.24	131	5.16
LWC302515	300 x 250 x 150 (11.81 x 9.84 x 5.91)	LP3025	LP3025G	281 x 231	11.06 x 9.09	281 x 185	11.06 x 7.28	249 x 165	9.80 x 6.25	131	5.16
LWC204015	200 x 400 x 150 (7.87 x 15.75 x 5.91)	LP2040	LP2040G	181 x 381	7.13 x 15.00	182 x 335	7.17 x 13.19	115 x 349	4.53 x 13.49	131	5.16
LWC206015	200 x 600 x 150 (7.87 x 23.62 x 5.91)	LP2060	LP2060G	181 x 581	7.13 x 21.06	182 x 535	7.17 x 21.06	115 x 549	4.53 x 21.36	131	5.16

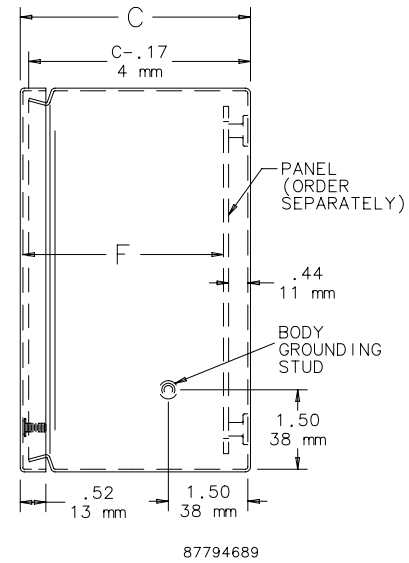
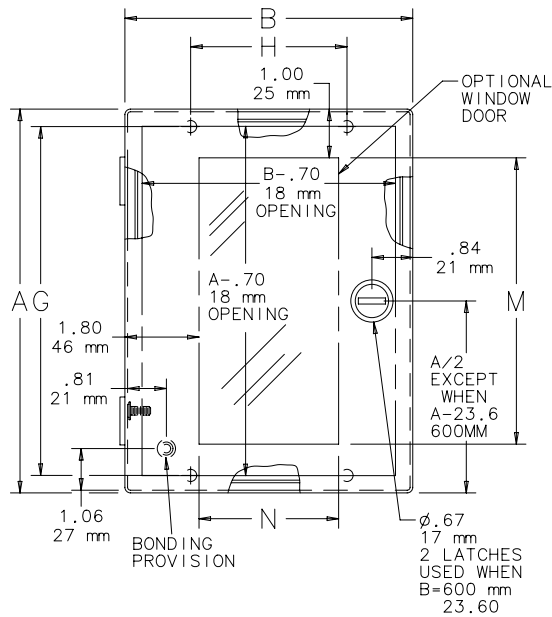
Purchase panels separately.

INLINE Screw Cover Enclosure



NOTE: Rear mounting holes will accommodate M6-1.0 or 1/4-20 UNC mounting screws (supplied by customer).

INLINE Hinged Door and Window Door Enclosures



INLINE Enclosure Panels

Panels are 12 gauge steel with a white-painted or conductive finish. Ground hole is labeled. Sized for M6 fastener.

Catalog Number	Material	Panel Size D x E mm	Fits INLINE Enclosure Size mm
LP1515	Painted Steel	131 x 131	150 x 150
LP1515G	Conductive	131 x 131	150 x 150
LP2015	Painted Steel	181 x 131	200 x 150
LP2015G	Conductive	181 x 131	200 x 150
LP2520	Painted Steel	231 x 181	250 x 200
LP2520G	Conductive	231 x 181	250 x 200
LP3025	Painted Steel	281 x 231	300 x 250
LP3025G	Conductive	281 x 231	300 x 250
LP3530	Painted Steel	331 x 281	350 x 300
LP3530G	Conductive	331 x 281	350 x 300
LP2040	Painted Steel	181 x 381	200 x 400
LP2040G	Conductive	181 x 381	200 x 400
LP2060	Painted Steel	181 x 581	200 x 600
LP2060G	Conductive	181 x 581	200 x 600

