

new product



JMLC-BLD Series

Steel, compact and 6V

Type:	_____
Project/Location:	_____
Contractor:	_____
Prepared By:	_____
Date:	_____
Model No.:	_____

FEATURES

- "Built-in" 3W LED heads
- Compact steel cabinet with corrosion-resistant undercoating
- Quick and easy installation – pre-assembled cordset, no batteries or board to remove before installation
- Universal Spider knockout pattern for junction box mounting
- Fully automatic solid-state charger with test switch and AC-on pilot light
- Sealed dust-proof transfer relay circuit and low-voltage disconnect
- Long-life, maintenance-free sealed
- Standard input 120 VAC with line cord installed
- 120/347 VAC without line cord
- Certified CSA C22.2 No.141-15

See warranty details at: www.tnb.ca/en/brands/emergi-lite



TYPICAL SPECIFICATIONS

The contractor shall install the **Emergi-Lite® JMLC-BLD Series** battery units. The emergency lighting system shall consist of fully automatic equipment with two emergency lighting heads. The unit shall be rated 6 V with a capacity of 27 W for 30 minutes of emergency operation.

The charger shall be factory set with a charging voltage tolerance of ± 1% to enable a longer battery life. The metal cabinet shall be made of steel with anti-corrosion undercoating.

The unit shall be CSA Certified to C22.2 no.141-15.

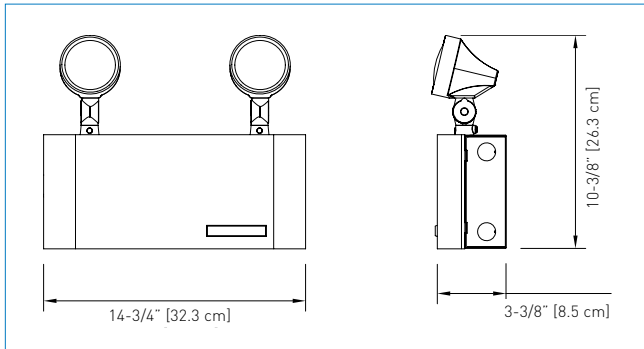
The unit shall be **Emergi-Lite®** model: _____ .

WIRE GUARDS

460.0080-E	Wall Mount
------------	------------

DIMENSIONS

Dimensions are approximate and subject to change.



POWER CONSUMPTION AND UNIT RATING

MODEL	AC SPECS	WATTAGE CAPACITY				
		30MIN	1H00	1H30	2H00	4H00
06JMLC27	120/347 VAC 0.06/0.02 A	27	15	11	9	-

ORDERING INFORMATION

SERIES	CAPACITY	A.C VOLTAGE	# OF HEADS	HEAD STYLE / WATTAGE
06JMLC= 6V	27= 27W	Blank= 120VAC input comes with linecord -2= 277VAC input -3= 120/347VAC input	/1= One head /2= Two heads	BLD= Built-in LED

EXAMPLE: 06JMLC27/2BLD