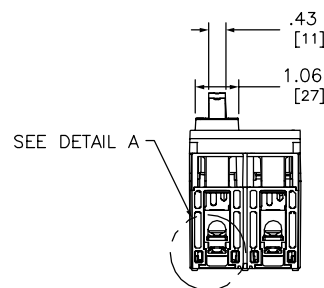
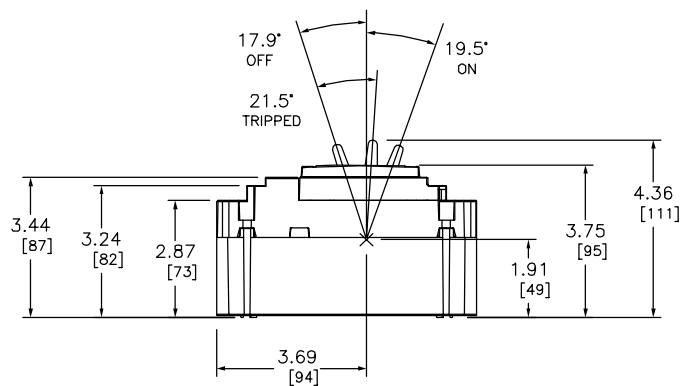
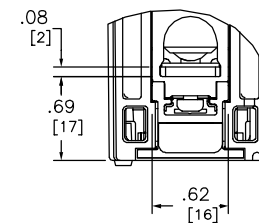


ISOMETRIC VIEW



SEE DETAIL A



DETAIL A

DUAL DIMENSIONS: INCHES  
MILLIMETERS

HD AND HG  
15A - 150A  
2-POLE TOGGLE LUG-LUG



DWG# 48996-016-01  
NO.