

# PHILIPS LIGHTOLIER

## Downlighting

### CorePro LED Retrofit Downlight

Attractive, affordable, and easy to use 6" downlight



Project: \_\_\_\_\_  
 Location: \_\_\_\_\_  
 Cat.No: \_\_\_\_\_  
 Type: \_\_\_\_\_  
 Lamps: \_\_\_\_\_ Qty: \_\_\_\_\_  
 Notes: \_\_\_\_\_

Core value LED retrofit downlight for retrofit, new construction and remodel applications that installs in many existing residential and commercial applications.



E26

GU24

#### Ordering guide

example: CP630K10

Catalog Number	Aperture	CRI	CCT	Lms	Connector whip
<b>CP630K6</b>	6-inch	80	3000 K	650lm	E26
<b>CP630K10</b>	6-inch	80	3000 K	1100lm	E26
<b>CP6927K8</b>	6-inch	90	2700 K	800lm	GU24

#### Accessories

Catalog Number	Description
<b>CPE26</b>	E26 whip connector
<b>CPGU24</b>	GU24 whip connector

#### Features

- Reflector/Flange:** One piece self flange aluminum, .032" thick, (20ga.). Powder coated, non yellowing, white splay and flange.
- Lens:** PMMA 1.5mm thick. High transmittance lens allowing for smooth, diffused light pattern.
- Power supply:** Class 2 driver. Factory wired electronic LED driver (see Electrical section for specifications) Enclosed in a .032" thick (21 ga.) painted steel housing.
- LED board:** Utilizes Philips LEDs.
- Friction spring:** Stainless steel.
- Power connection:** E26 medium base whip connector (included) for retrofit.
- Frame in kit/housing:** Refer to appropriate frame in kit/housing specification sheets for complete information.
- Lifetime:** Expected lifetime 50,000 hours and backed by a 5-year warranty (see Philips.com/warranties for details).

#### Electrical

**Electronic power supply:** RoHS compliant\* Class 2 power unit for use in a dry location. Unit tolerates sustained open circuit and short circuit output conditions without damage.

**Dimming:** All luminaires are intended for use with TRIAC type dimmers. Go to <http://www.lightolier.com/MKACatpdfs/LED-DIM.PDF> for the latest dimming switch capability information. 10%-100% dimming range.

Lumen Output	Input Voltage	Input Frequency	Max. Input Current	Max. Input Power	Max THD	Power Factor	Min. Temp. Operating
650 lm	120V	50/60Hz	0.07A	8W	< 30%	> .9	-18° C
870 lm	120V	50/60Hz	0.00A	13W	< 30%	> .9	-18° C
1110lm	120V	50/60Hz	0.11A	13W	< 30%	> .9	-18° C

\* Restrictions on Hazardous Substances (RoHS) is a European directive (2002/95/EC) designed to limit the content of 6 substances [lead, mercury, cadmium, hexavalent chromium, polybrominated biphenyls (PBB), and polybrominated diphenyl ethers (PBDE)] in electrical and electronic products. For products used in North America compliance to RoHS is voluntary and self-certified.

#### Labels

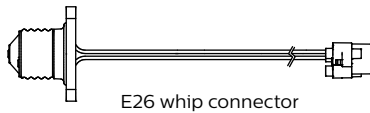
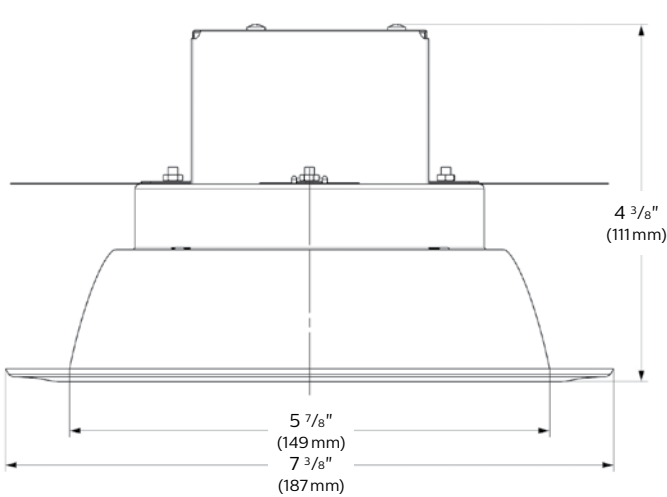
cULus listed for wet locations. Energy Star certified.



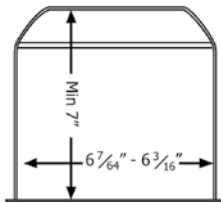
# CP6 CorePro LED Retrofit Downlight

Attractive, affordable, and easy to use 6" retrofit downlights

## E26 Dimensions



## E26 Compatibility\*



Manufacturer	Model
Philips Lightolier	1104IC
Philips Capri	CR1NBQP, QL6NBQP, PR75ASIC, PRR75ICX
Halo	H7ICAT
Lithonia	L7X
Juno	IC22
Progress	P87-A1

\* Any other luminaires meeting these dimensions as shown are also compatible.



**PR75ASICNB:** C Plus 6" IC/Airseal New Construction Housing

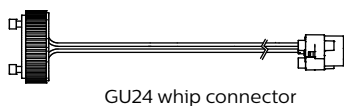
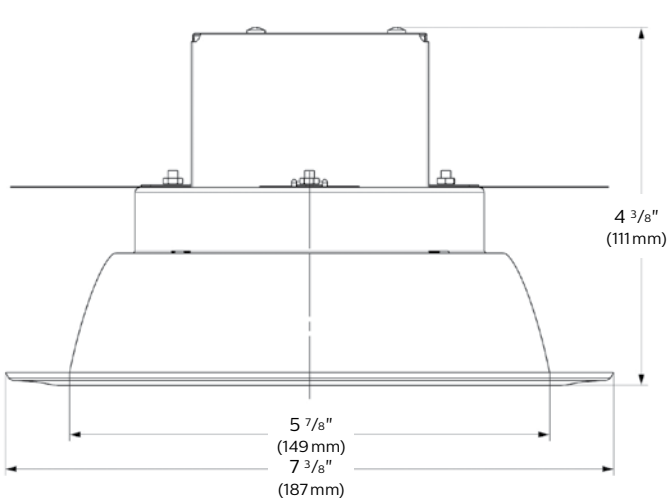


**1104IC:** Lytning 6.75" IC/Airseal New Construction Housing

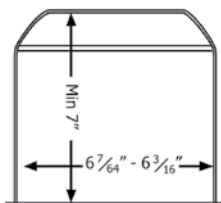


**CRR1NBQP:** C Plus 6" IC Remodeler Housing

## GU24 Dimensions



## GU24 Compatibility\*



\* Any other luminaires meeting these dimensions as shown are also compatible.



**P6GU:** C Plus 6" IC/Airseal New Construction Housing



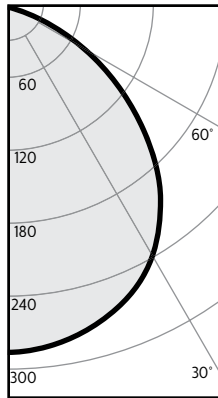
**P6RGU:** C Plus 6" IC Remodeler Housing

# CP6 CorePro LED Retrofit Downlight

Attractive, affordable, and easy to use 6" retrofit downlights

## CP630K6 • 8 W LED, 3000 K, 80CRI, 650lm, E26 connector

### Candela Curves



Angle	Mean CP	Lumens
0	287	
5	285	27
10	281	
15	273	77
20	263	
25	251	115
30	236	
35	217	136
40	194	
45	168	129
50	138	
55	106	95
60	74	
65	44	45
70	24	
75	17	18
80	11	
85	5	6
90	0	

### Single unit data

Height to Lighted Plane	Initial center beam foot-candles	Beam dia. (ft)*
5'	11	6.0'
6'	8	7.2'
7'	6	8.4'
8'	4	9.6'
9'	4	10.8'

\* Beam diameter is where foot-candles drop to 50% of maximum.

### Multiple unit data - RCR 2

Spacing on center	Initial center beam foot-candles	Watts per sq.ft.
5'	27.1	0.36
6'	17.8	0.24
7'	12.7	0.17
8'	10.6	0.14
9'	8.5	0.11

38'x38'x10' Room, Workplane 2.5' above floor, 80/50/20% Reflectances

### Coefficients of utilization

Ceiling	80%				70%		50%		30%		0%	
	70	50	30	10	50	10	50	10	50	10	0	
Wall	70	50	30	10	50	10	50	10	50	10	0	
RCR	Zonal cavity method - Effective floor reflectance = 20%											
Room Cavity Ratio	0	119	119	119	119	116	116	111	111	106	106	100
	1	110	106	103	100	104	98	100	95	96	92	87
	2	102	95	89	84	93	83	89	81	86	79	75
	3	94	84	77	71	83	71	80	70	77	68	65
	4	86	76	68	62	74	61	72	60	70	60	57
	5	80	68	60	54	67	54	65	53	63	53	50
	6	74	62	54	48	61	47	59	47	58	47	44
	7	69	56	48	42	56	42	54	42	53	42	40
	8	64	52	44	38	51	38	50	38	48	38	36
	9	60	47	40	34	47	34	46	34	45	34	32
	10	56	44	36	31	43	31	42	31	42	31	29

### Zonal lumens & percentages

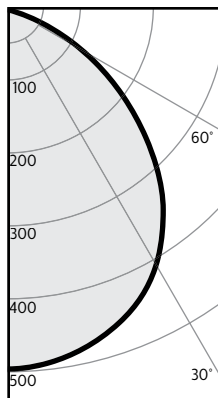
Zone	Lumens	%Luminaire
0-30	220	33.9%
0-40	355	54.8%
0-60	579	89.4%
0-90	648	100.0%

### Report: LVE23088

Output lumens:	648lms	Efficacy:	79.4lm/w
Input Watts <sup>2</sup> :	8.2W	CCT <sup>3</sup> :	3000K
Spacing Criterion:	1.2	CRI:	>80

## CP630K10 • 13 W LED, 3000 K, 80 CRI, 1110lm, E26 connector

### Candela Curves



Angle	Mean CP	Lumens
0	495	
5	493	47
10	485	
15	472	133
20	454	
25	432	199
30	406	
35	372	232
40	330	
45	283	217
50	230	
55	178	159
60	128	
65	81	82
70	45	
75	29	32
80	20	
85	9	10
90	0	

### Single unit data

Height to Lighted Plane	Initial center beam foot-candles	Beam dia. (ft)*
5'	20	6.0'
6'	14	7.2'
7'	10	8.4'
8'	8	9.6'
9'	6	10.8'

\* Beam diameter is where foot-candles drop to 50% of maximum.

### Multiple unit data - RCR 2

Spacing on center	Initial center beam foot-candles	Watts per sq.ft.
5'	46.5	0.57
6'	30.5	0.37
7'	21.8	0.27
8'	18.2	0.22
9'	14.5	0.18

38'x38'x10' Room, Workplane 2.5' above floor, 80/50/20% Reflectances

### Coefficients of utilization

Ceiling	80%				70%		50%		30%		0%	
	70	50	30	10	50	10	50	10	50	10	0	
Wall	70	50	30	10	50	10	50	10	50	10	0	
RCR	Zonal cavity method - Effective floor reflectance = 20%											
Room Cavity Ratio	0	119	119	119	119	116	116	111	111	106	106	100
	1	110	106	103	99	104	98	100	95	96	92	87
	2	102	95	89	84	93	83	89	81	86	79	75
	3	94	84	77	71	83	71	80	69	77	68	65
	4	86	76	68	62	74	61	72	60	70	60	57
	5	80	68	60	54	67	54	65	53	63	52	50
	6	74	62	54	48	61	47	59	47	58	47	44
	7	69	56	48	42	56	42	54	42	53	42	40
	8	64	52	44	38	51	38	50	38	48	38	36
	9	60	48	40	35	47	34	46	34	45	34	32
	10	57	44	36	31	43	31	43	31	42	31	29

### Zonal lumens & percentages

Zone	Lumens	%Luminaire
0-30	379	34.1%
0-40	610	55.0%
0-60	987	88.9%
0-90	1110	100.0%

### Report: LVE23089

Output lumens:	1110lms	Efficacy:	86.9lm/w
Input Watts <sup>2</sup> :	12.8W	CCT <sup>3</sup> :	3000K
Spacing Criterion:	1.2	CRI:	>80

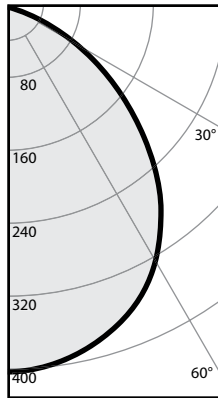
1. Tested using absolute photometry as specified in LM79: IESNA Approved Method for the Electrical and Photometric Measurements of Solid-State Lighting Products.  
 2. Wattage: controlled to within 5%  
 3. Correlated Color Temperature: within specs as defined in ANSI\_NEMA\_ANSI C78.377-20 08: Specifications for the Chromaticity of Solid State Lighting Products.

# CP6 CorePro LED Retrofit Downlight

Attractive, affordable, and easy to use 6" retrofit downlights

## CP6927K8 • 13W LED, 2700 K, 90CRI, 870lm, GU24 connector

### Candela Curves



Angle	Mean CP	Lumens
0	403	
5	401	38
10	394	
15	382	108
20	366	
25	346	159
30	323	
35	294	183
40	259	
45	220	169
50	177	
55	136	121
60	96	
65	60	61
70	34	
75	22	24
80	15	
85	5	6
90	0	

### Single unit data

Height to Lighted Plane	Initial center beam foot-candles	Beam dia. (ft)*
5'	16	6.0'
6'	11	7.2'
7'	8	8.4'
8'	6	9.6'
9'	5	10.8'

\* Beam diameter is where foot-candles drop to 50% of maximum.

### Multiple unit data - RCR 2

Spacing on center	Initial center beam foot-candles	Watts per sq.ft.
5'	36.6	0.56
6'	24.0	0.37
7'	17.1	0.26
8'	14.3	0.22
9'	11.4	0.18

38'x38'x10' Room, Workplane 2.5' above floor, 80/50/20% Reflectances

### Coefficients of utilization

Ceiling	80%				70%		50%		30%		0%	
Wall	70	50	30	10	50	10	50	10	50	10	0	
RCR	Zonal cavity method - Effective floor reflectance = 20%											
Room Cavity Ratio	0	119	119	119	119	116	116	111	111	106	106	100
	1	111	107	103	100	104	98	100	95	96	92	87
	2	102	95	89	84	93	83	90	81	86	79	76
	3	94	85	78	72	83	71	80	70	78	69	66
	4	87	76	68	62	75	62	72	61	70	60	57
	5	80	69	61	55	68	54	66	54	64	53	51
	6	75	62	54	48	61	48	60	48	58	47	45
	7	69	57	49	43	56	43	55	43	53	42	40
	8	65	52	44	39	51	39	50	38	49	38	36
	9	61	48	40	35	47	35	46	35	45	35	33
	10	57	44	37	32	44	32	43	32	42	32	30

### Zonal lumens & percentages

Zone	Lumens	%Luminaire
0-30	305	35.1%
0-40	488	56.1%
0-60	778	89.5%
0-90	870	100.0%

### Report: LVC2141032

Output lumens:	870 lms	Efficacy:	68.5 lm/w
Input Watts <sup>2</sup> :	12.7W	CCT <sup>3</sup> :	2700 K
Spacing Criterion:	1.2	CRI:	>90

1. Tested using absolute photometry as specified in LM79: IESNA Approved Method for the Electrical and Photometric Measurements of Solid-State Lighting Products.
2. Wattage: controlled to within 5%
3. Correlated Color Temperature: within specs as defined in ANSI\_NEMA\_ANSLG C78.377-20 08: Specifications for the Chromaticity of Solid State Lighting Products.

© 2014 Koninklijke Philips N.V. All rights reserved.  
 Philips reserves the right to make changes in specifications and/or to discontinue any product at any time without notice or obligation and will not be liable for any consequences resulting from the use of this publication.  
[philips.com/luminaires](http://philips.com/luminaires)



Philips Lighting, North America Corporation  
 200 Franklin Square Drive, Somerset, NJ 08873  
 Tel. 855-486-2216

Imported by: Philips Lighting,  
 A division of Philips Electronics Ltd.  
 281 Hillmount Rd, Markham, ON, Canada L6C 2S3  
 Tel. 800-668-9008