

C-Plus
PR75ASICNB
6" Recessed AirSeal™
IC Rated Downlight



application

- For new construction. Thermally protected, IC rated recessed housing. cUL listed for use in direct contact with thermal insulation and is AirSeal rated. Furnished with pre-installed adjustable bar hangers. Listed for through-branch circuit wiring and damp locations. For use with socket supporting trims.

features

- Housing adjusts vertically in plaster frame to allow for variations in ceiling thickness.
- Junction box has four Romex® pry-outs, eliminating the need for adapters.
- 90 Watt maximum.
- AirSeal™ rated.
- Wide variety of socket supporting trims.
- Thermal protection standard.
- cUL listed for direct contact with thermal insulation. Listed for through-branch circuit wiring and damp locations.

construction

- Housing: Die-formed all-aluminum construction. For use in direct contact with thermal insulation. Adjusts vertically in plaster frame to accommodate ceilings 1/2" to 1-1/2" thick. Accommodates lamps up to 90 Watts, depending on trim used. Ceiling opening 6-3/8". Galvanized steel construction.
- Plaster Frame: Die-formed galvanized steel. BH1 bar hangers shipped on short axis of housing, can be oriented 90°

- Socket: Medium base screw shell porcelain socket, mounted with snap-in clips on top of trims.
- Bar Hangers: Pre-installed pre-nailed BH2 style bar hangers telescope from 16" to 24". Vertical design of interlocking bar hangers prevents sagging even at full 24" extension. BH2 style barhangers may be used on either long or short axis of housing.
- Thermal Protection: Standard thermal protection device inside housing automatically takes the fixture out of service if temperature becomes excessive from overlampping or wrong lamp /trim combination.
- cUL listed: for damp locations and through branch 4 in/4 out wiring.
- Junction Box: Extra-large 25 cubic inch 16 gauge galvanized steel with two snap-on covers and grounding pigtail. Knockouts for 1/2" and 3/4" conduit, and four Romex® pry-outs with strain relief. Meets all safety requirements of U.L. and N.E.C.

accessories (ordered separately)

- Pair 24" Flat Bar Hangers (pair) **BH3**
- T-Bar Clips set of four **TC-5**

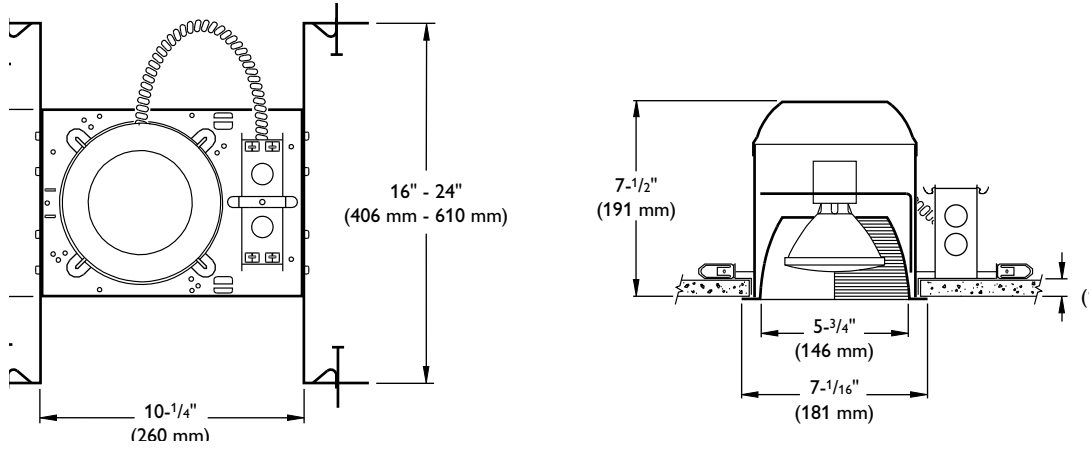
Specifier's Reference

Project
Type
Model No.
Comments

Sample Catalog Number: PR75ASICNB-RB30

<p>—</p> <p>Housing</p> <p>PR75ASICNB</p>	<p>—</p> <p>Trims(choose one only)</p> <p>RB30 – Black Baffle</p> <p>RB30W – Full White Baffle</p> <p>RB40W – Full White Baffle</p> <p>RC30C – Clear Cone</p> <p>RBC30WM – Full White Baffle</p> <p>RBC30M – Full Black Baffle</p> <p>RS30W – White Splay</p> <p>R18P – White Eyeball</p> <p>RF30W – White Open Trim</p> <p>SH12IC – Albalite Shower Trim</p> <p>SHR16IC – Regressed Drop Opal Shower Light</p>
---	---

dimensions



trims



RB30 Full Black Baffle (Shown)
RB30W Full White Baffle
 Socket Supporting
 7-1/16" O.D. (179 mm)

Lamp	Wattage	
	IC	Non-IC
PR75ASIC		
PAR30	50W	50W
PAR30L	75W	75W
PAR38	90W	90W
R/BR30	75W	75W



RB40W Full White Baffle (shown)
 Socket Supporting
 7-1/16" O.D. (179 mm)

Lamp	Wattage	
	IC	Non-IC
PR75ASIC		
PAR30	50W	50W
PAR30L	75W	75W
PAR38	90W	90W
R/BR30	75W	75W
R/BR40	90W	90W



RC30C Clear Cone (Shown)
 Socket Supporting
 7-1/16" O.D. (179 mm)

Lamp	Wattage	
	IC	Non-IC
PR75ASIC		



RBC30M Full Black Baffle w/Torsion Springs (shown)
RBC30WM Full White Baffle w/Torsion Springs
 Socket Supporting
 7-1/16" O.D. (179 mm)

IC	Lamp
CFRIC6V13QNE1NB/QL613NB	CFM13W/GX24Q
CFRIC6V13QUNB	CFM13W/GX24Q
CFRIC6V18QNE1NB/QL618NB	CFM18W/GX24Q
CFRIC6V18QUNB	CFM18W/GX24Q
CFRIC6V26QNE1NB/QL626NB	CFM26W/GX24Q
CFRIC6V26QUNB	CFM26W/GX24Q



RF30W White Open Trim
 (Coffee Bean Open Trim Shown)
 Socket Supporting
 8" O.D. (203 mm)

Lamp	IC	Non-IC
PR75ASIC		
PAR30	50W	50W



RS30W White Splay (shown)
 Socket Supporting
 7-1/16" O.D. (179 mm)

Lamp	IC	Non-IC
R9ASIC		
PAR30	50W	50W
PAR30L	75W	75W
R/BR30	65W	60W
RR9ASIC		
PAR30	50W	50W
R/BR30	45W	45W



SHR12IC Albalite Regressed Glass,
 White Non-Metal Flange, Wet location
 Socket Supporting
 8" O.D. (203 mm)

Lamp	IC	Non-IC
R150ASIC		
A19	60W	
CR1 / QL6 / CRR1		
A19	25W	75W
CR1NB / QL6NB / CRR1NB		
A19	25W	75W



SHR16IC Regressed Glass
 Drop Opal Shower Light Bracket
 Required, Wet Location
 8" O.D. (203 mm)

Lamp	IC	Non-IC
PR75ASIC		
A19	25W	25W



R18P White Eyeball (shown)
 Socket Supporting, 30° Tilt
 8" O.D. (203 mm)

Lamp	IC	Non-IC
R9 / RR9		
R/BR30		75W



Some luminaires use fluorescent or high intensity discharge (HID) lamps that contain small amounts of mercury. Such lamps are labeled, "Contain Mercury" and/or the symbol "HG". Lamps that contain mercury must be disposed of in accordance with local requirements. Information regarding lamp recycling and disposal can be found at www.lamprecycle.org



© 2013 Koninklijke Philips Electronics N.V. All rights reserved.
 Specifications are subject to change without notice.
www.philips.com/luminaires

Philips Lighting Company
 200 Franklin Square Drive
 Somerset, NJ 08873
 Phone: 855-486-2216

Philips Lighting Company
 281 Hillmount Road
 Markham ON, Canada L6C 2S3
 Phone: 800-668-9008