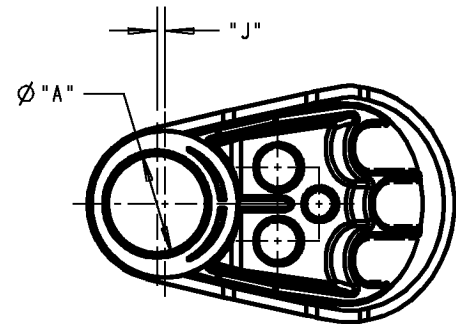
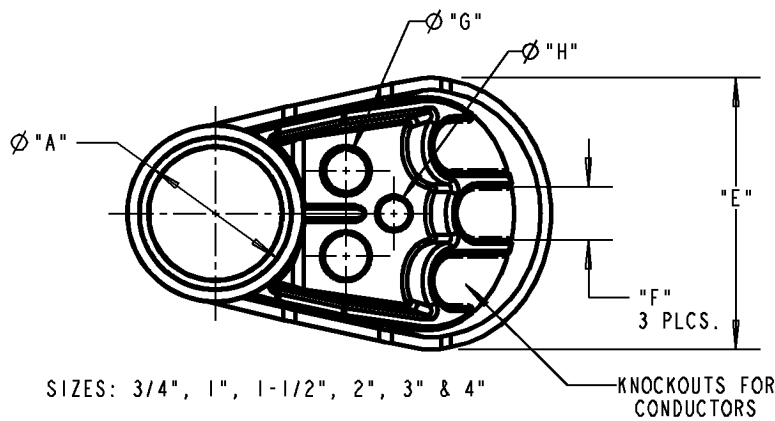
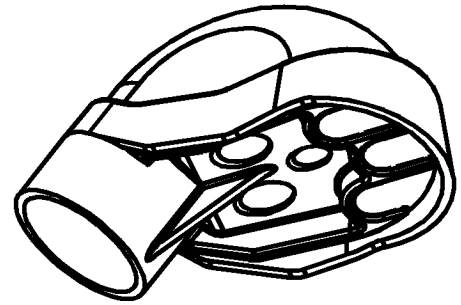
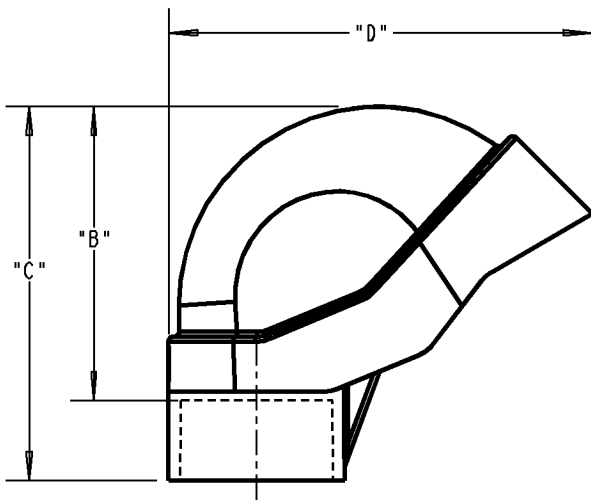



Carlton®



PART NO.	"A" FEMALE SOCKET SIZE	DIM. B	DIM. C	DIM. D	DIM. E	DIM. F	Ø G	Ø H	DIM. J
E998D	1/2"	2.02 [51.2]	2.74 [69.5]	3.04 [77.2]	1.76 [44.7]	.45 [11.4]	.45 [11.4]	--	.107 [2.72]
E998E E998E-CAR E998EL	3/4"	1.96 [49.7]	2.74 [69.5]	3.04 [77.2]	1.76 [44.7]	.45 [11.4]	.45 [11.4]	--	--
E998F E998F-CAR E998FL	1"	2.39 [60.8]	3.28 [83.4]	3.58 [90.9]	2.26 [59.9]	.59 [15]	.58 [14.6]	--	--

NOTES:
1. MATERIAL: GRAY PVC

GENERAL NOTES		 www.tnb.com			
1. ALL DIMENSIONS ARE FOR REFERENCE ONLY. 2. DIMENSIONS IN BRACKETS [] ARE IN METRIC UNITS.					
REVISIONS		DESCRIPTION: SERVICE ENTRANCE CAPS			
*** SEE ERN (****) FOR APPROVAL SIGNATURES & RELEASE DATE. PROJECT NO: ****		ORIGINAL PROJECT NO / (ERN NO)	SHEET NO:	REV. NO:	DRAWING NO:
		/ ()	1 OF 2	C	WSD-AC04379

Carlton®

PART NO.	"A" FEMALE SOCKET SIZE	DIM. B	DIM. C	DIM. D	DIM. E	DIM. F	ØG	ØH	DIM. J
E998G E998G-CAR E998GCL E998GL	1-1/4"	4.09 [108.5]	5.12 [130.1]	5.74 [145.9]	3.52 [89.5]	.74 [18.9]	.71 [18]	.50 [50.8]	.121 [3.07]
E998H E998H-CAR E998HCL E998HL	1-1/2"	3.98 [101]	5.12 [130.1]	5.74 [145.9]	3.52 [89.5]	.74 [18.9]	.71 [18]	.50 [50.8]	--
E998J E998J-CAR E998JCL E998JL	2"	4.60 [116.9]	5.85 [148.7]	6.64 [168.6]	4.26 [108.1]	.83 [21]	.78 [19.8]	.56 [14.2]	--
E998K-UPC	2-1/2"	7.26 [184.4]	9.02 [229.1]	12.19 [309.7]	7.47 [189.7]	1.70 [43.2]	1.31 [33.3]	1.00 [25.4]	.195 [4.95]
E998L	3"	7.13 [181.1]	9.02 [229.1]	12.19 [309.7]	7.47 [189.7]	1.70 [43.2]	1.31 [33.3]	1.00 [25.4]	--
E998N	4"	9.57 [243]	12.57 [319.2]	16.38 [416.1]	10.45 [265.3]	2.25 [57.2]	1.88 [47.8]	1.31 [33.2]	--

Thomas & Betts
www.tnb.com

DESCRIPTION: **SERVICE ENTRANCE CAPS**

SHEET NO:
2 OF 2

REV. NO:
C

DRAWING NO:
WSD-AC04379