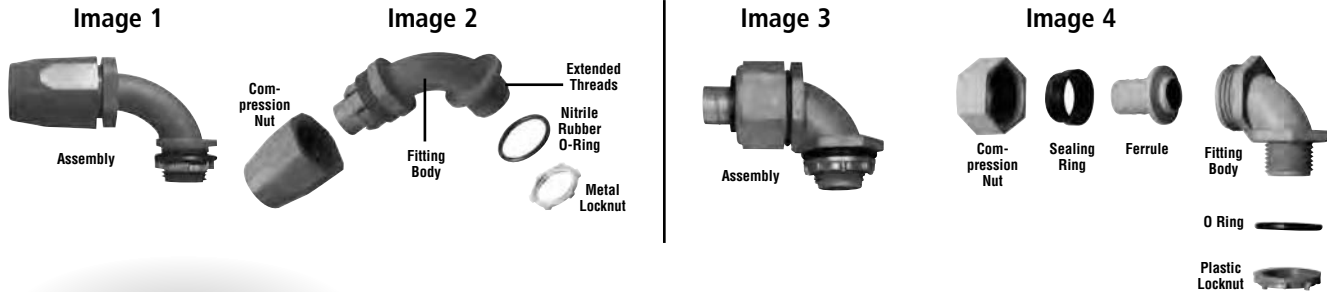


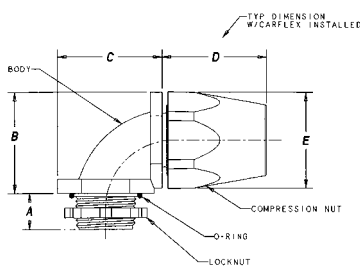
90° Fittings

- For use with Carflex® conduit and Carflex® X-Flex™ conduit

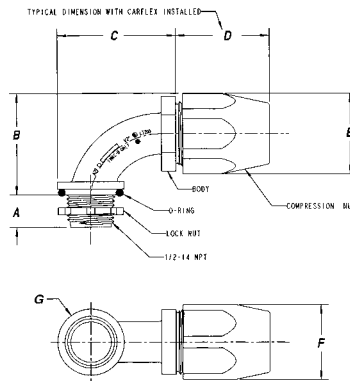


Features

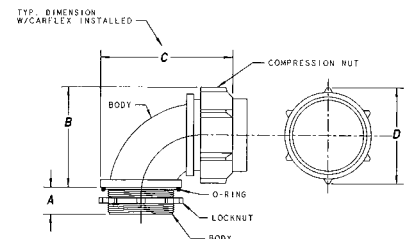
- Nonconductive and Noncorrosive
- Resistant to oil, acid, ozone, and alkaline
- Easy to install
- Approved for indoor and outdoor locations
- Listed for "Wet Locations"
- Nitrile rubber "O" ring for a liquidtight termination
- Temperatures up to 225°F (107°C)
- Meets UL Standard 514B



LT20C-CAR, LT20F-NEW



LT20D-NEW, LT20E-NEW



LT20G, LT20H, LT20J

Specifications



Part No.	Size (in.)	Std. Ctn. Qty.	Std. Ctn. Wt. (lbs.)	A (inches)	B (inches)	C (inches)	D (inches)	E (inches)	F (inches)	G (inches)	Refer to Image
LT20C	3/8	50	4.9	.56	1.44	1.44	1.56	1.39	1.26		3, 4
LT20C-CAR	3/8	15	1.8	.56	1.44	1.44	1.56	1.39	1.26		3, 4
LT20D-NEW	1/2	50	4.9	.56	1.76	2.05	1.62	1.40	1.30	1.15	1, 2
LT20E-NEW	3/4	50	8.0	.56	2.04	2.35	1.88	1.71	1.61	1.50	1, 2
LT20F	1	25	6.9	.70	2.01	2.01	2.26	2.04	1.90		3, 4
LT20G	1-1/4	5	1.9	.75	2.50	3.55	2.48				3, 4
LT20H	1-1/2	5	2.2	.75	2.80	3.98	2.77				3, 4
LT20J	2	5	3.4	.94	3.48	4.56	3.33				3, 4