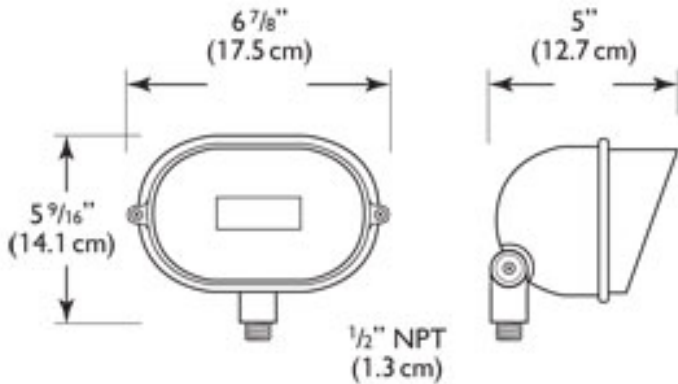


# Aluminum Floodlyte (WAM1) Specification Sheet

Project Name:	Location:	MFG: Philips Hadco
Fixture Type:	Catalog No.:	Qty:



## Ordering Guide

Example: WAM1 F A

<b>Product Code</b>	WAM1	Aluminum Floodlyte
<b>Lens</b>	F	Frosted Lens *1
<b>Finish</b>	A B H G	Black White Bronze Verde

\*1 Frosted Lens is optional.

## Specifications

### HOUSING:

Die-cast aluminum. Fully-adjustable swivel arm with vibration-proof locking teeth. Fasteners are 300 series stainless steel. Gasketing is silicone. 1/2" NPS male threads to screw onto accessory mounting stake or junction box, sold separately.

### FINISH:

Thermoset polyester powdercoat is electrostatically applied after a five-stage conversion cleaning process and bonded by heat fusion thermosetting.

### OPTICAL ASSEMBLY:

Clear tempered glass lens. Frosted tempered glass lens.

### LAMPING:

75W maximum T3 mini candelabra lamp. Lamp is not included. Lower wattage lamps are acceptable.

### ELECTRICAL ASSEMBLY:

Mini-candelabra socket (E11). Fixture is pre-wired with 18 AWG black, white, and ground wires.

### WARRANTY:

Three-year limited warranty.

### CERTIFICATIONS:

ETL listed to U.S. safety standards for wet locations. cETL listed to Canadian safety standards for wet locations. Manufactured to ISO 9001:2008 Standards.

### Height :

4 7/8" (123mm)

### Width:

6 7/8" (175mm)

### Length:

5" (126mm)

### Max. Weight:

1.75 lb.