

DRAWING NO.  
SD214515-01

CATALOG NO.	MAX. COPPER OR ALUMINUM CONDUCTOR ACCOMMODATED		STUD SIZE	METRIC STUD SIZE	NUMBER OF HOLES	DIMENSIONS								
	CODE (AWG)	NO. OF STRANDS				B	C MAX.	D MIN.	E	K DIA.	L	N	O.D.	T REF.
YA25A15S61T14E	1/0 STR .373 DIA.	19	1/4	M6	1	1.00 [25]	.61 [15]	.70 [18]	--	.28 [7]	2.18 [55]	.33 [8]	.60 [15]	.21 [5]
YA25A1S60T516E	1/0 STR .373 DIA.	19	5/16	--	1	1.00 [25]	.63 [16]	.82 [21]	--	.38 [10]	2.29 [58]	.41 [10]	.60 [15]	.21 [5]
YA25A3N69T38E	1/0 STR .373 DIA.	19	3/8	--	1	1.05 [27]	.69 [18]	.90 [23]	--	.44 [11]	2.38 [60]	.44 [11]	.60 [15]	.21 [5]
YA30A9N100T516E	300 Kcmil .630 DIA.	37	5/16	--	1	1.53 [39]	1.00 [25]	.82 [21]	--	.38 [10]	3.12 [79]	.41 [10]	1.01 [26]	.36 [9]
YA30A6N100T38E	300 Kcmil .630 DIA.	37	3/8	--	1	1.53 [39]	1.00 [25]	.90 [23]	--	.44 [11]	3.20 [81]	.44 [11]	1.01 [26]	.36 [9]
YA31A11N100T516E	350 Kcmil .681 DIA.	37	5/16	--	1	1.85 [47]	1.00 [25]	.82 [21]	--	.38 [10]	3.51 [89]	.41 [10]	1.10 [28]	.39 [10]
YA31A9N100T38E	350 Kcmil .681 DIA.	37	3/8	--	1	1.85 [47]	1.00 [25]	.90 [23]	--	.44 [11]	3.59 [91]	.44 [11]	1.10 [28]	.39 [10]
YA34A7N119TD12E	500 Kcmil .813 DIA.	37	1/2	M12	1	1.64 [42]	1.19 [30]	1.29 [33]	--	.53 [13]	3.88 [99]	.63 [16]	1.19 [30]	.33 [8]
YA34A8N131T38E	500 Kcmil .813 DIA.	37	3/8	--	1	1.64 [42]	1.31 [33]	.90 [23]	--	.44 [11]	3.49 [89]	.44 [11]	1.31 [33]	.39 MAX. [10]
YA34A3N131T12E	500 Kcmil .813 DIA.	37	1/2	M12	2	1.64 [42]	1.31 [33]	3.05 [77]	1.75 [44]	.56 [14]	5.71 [145]	.63 [16]	1.31 [33]	.39 MAX. [10]
YA36A9N131TD12E	600 Kcmil .893 DIA.	61	1/2	M12	1	1.64 [42]	1.31 [33]	1.29 [33]	--	.53 [13]	3.95 [100]	.63 [16]	1.31 [33]	.39 [10]
YA36A3N131TD38E	600 Kcmil .893 DIA.	61	3/8	--	2	1.64 [42]	1.31 [33]	2.66 [68]	1.75 [44]	.44 [11]	5.32 [135]	.44 [11]	1.31 [33]	.39 [10]
YA36A3N131TD12E	600 Kcmil .893 DIA.	61	1/2	M12	2	1.64 [42]	1.31 [33]	3.05 [77]	1.75 [44]	.56 [14]	5.71 [145]	.63 [16]	1.31 [33]	.39 [10]
YA39A5N131TD12E	13	61	1/2	M12	2	1.86 [47]	1.31 [33]	3.05 [77]	1.75 [44]	.56 [14]	6.09 [155]	.63 [16]	1.31 [33]	.31 [8]

CATALOG NO.	COLOR CODE	INSTALLATION TOOLING (# CRIMPS)							WIRE STRIP LENGTH
		DIELESS Y644 PAT644	DIE INDEX	HYDRAULIC				Y60BHU	
				Y35, Y39 Y750, PAT750	Y46 PAT46	Y45	Y48B		
YA25A15S61T14E	TAN	ONE (1)	296	U25ART (1)	U25ART (1)	U25ART (1)	C25AR (1)	--	1-1/16
YA25A1S60T516E	TAN	ONE (1)	296	U25ART (1)	U25ART (1)	U25ART (1)	C25AR (1)	--	1-1/16
YA25A3N69T38E	TAN	ONE (1)	296	U25ART (1)	U25ART (1)	U25ART (1)	C25AR (1)	--	1-1/8
YA30A9N100T516E	BLUE	ONE (1)	470	U30ART (2)	U30ART (2)	U30ART (2)	C30AR (1)	L30ART (1)	1-5/8
YA30A6N100T38E	BLUE	ONE (1)	470	U30ART (2)	U30ART (2)	U30ART (2)	C30AR (1)	L30ART (1)	1-5/8
YA31A11N100T516E	BROWN	ONE (1)	299	U31ART (2)	U31ART (2)	U31ART (2)	C31AR (1)	L31ART (1)	1-29/32
YA31A9N100T38E	BROWN	ONE (1)	299	U31ART (2)	U31ART (2)	U31ART (2)	C31AR (1)	L31ART (1)	1-29/32
YA34A7N119TD12E	GREEN	TWO (2)	472	U32ART (4)	U32ART (4)	U32ART (4)	C32AR (2)	L32ART (2)	1-11/16
YA34A8N131T38E	PINK	TWO (2)	300	U34ART (4)	U34ART (4)	U34ART (4)	C34AR (2)	L34ART (2)	1-11/16
YA34A3N131T12E	PINK	TWO (2)	300	U34ART (4)	U34ART (4)	U34ART (4)	C34AR (2)	L34ART (2)	1-11/16
YA36A9N131TD12E	PINK	TWO (2)	300	U34ART (4)	U34ART (4)	U34ART (4)	C34AR (2)	L34ART (2)	1-11/16
YA36A3N131TD38E	PINK	TWO (2)	300	U34ART (4)	U34ART (4)	U34ART (4)	C34AR (2)	L34ART (2)	1-11/16
YA36A3N131TD12E	PINK	TWO (2)	300	U34ART (4)	U34ART (4)	U34ART (4)	C34AR (2)	L34ART (2)	1-11/16
YA39A5N131TD12E	PINK	TWO (2)	300	U34ART (4)	U34ART (4)	U34ART (4)	C34AR (2)	L34ART (2)	1-29/32

NOTES:

- MATERIAL: HIGH CONDUCTIVITY ALUMINUM.
- FINISH: ELECTRO-TIN PLATED.
- CATALOG # PT6515 ADAPTER IS REQUIRED TO USE "U" DIES IN Y45 SERIES TOOLS.
- CATALOG # PUADP-1 ADAPTER IS REQUIRED TO USE "U" DIES IN Y46 SERIES TOOLS.
- REMOVE ALL EXCESS PENETROX™ FROM CONNECTOR & ADJACENT CONDUCTOR PRIOR TO TAPING.
- DIMENSIONS IN BRACKETS [ ] ARE IN MILLIMETERS ROUNDED OFF TO THE NEAREST MILLIMETER, UNLESS OTHERWISE NOTED, AND ARE FOR REFERENCE ONLY.
- CONNECTORS ARE UL LISTED.
- CONNECTORS ARE CSA CERTIFIED.
- "X", "U", & "L" DIE SETS ARE COLOR CODED. "C" DIES ARE NOT COLOR CODED.

10. CONNECTOR BARRELS PREFILLED WITH PENETROX™ OXIDE INHIBITING COMPOUND.

11. KNURLED CRIMP GUIDE LINES.

12. COLOR CODED CAPPLUGS.

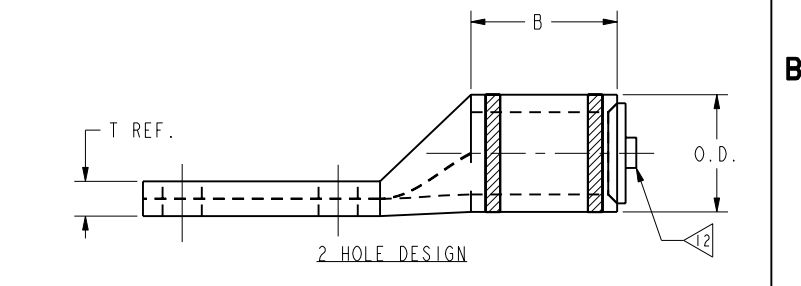
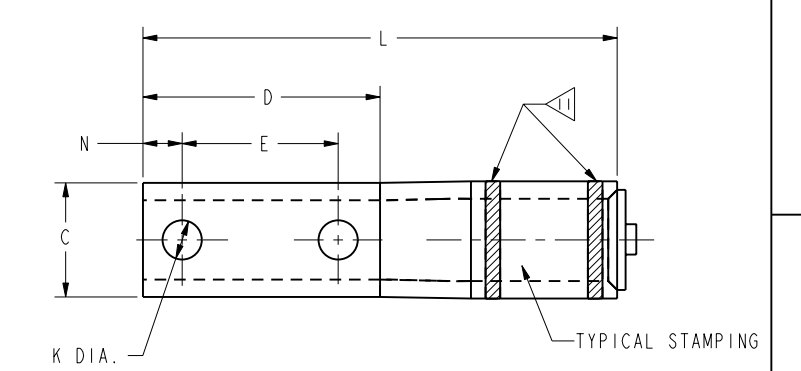
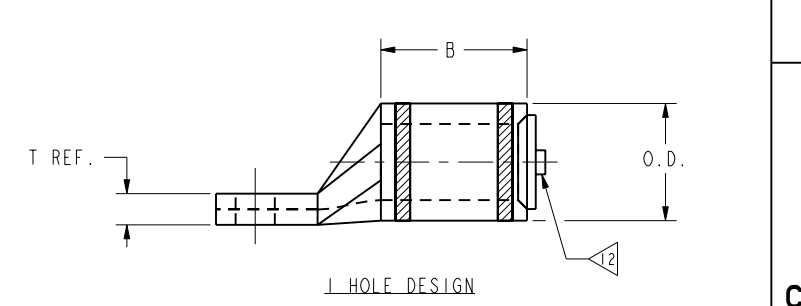
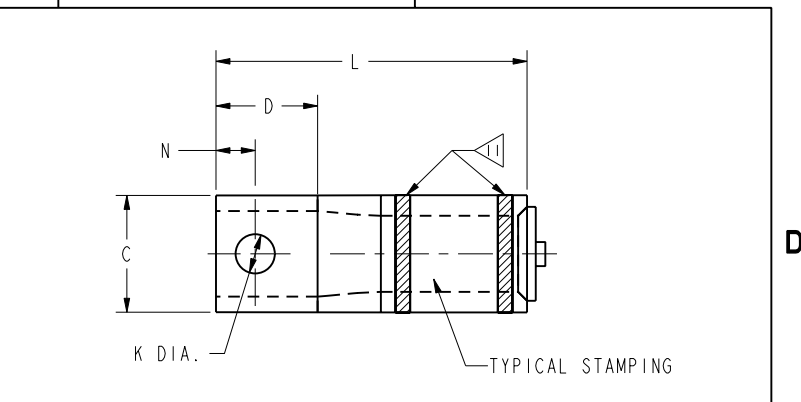
13. NON-RANGE TAKING 750 kcmil, .998 DIA. ALUMINUM ONLY WHEN USING CIRCULAR DIE INDEX NO. 300. RANGE TAKING 500-750 kcmil ALUMINUM OR 500 kcmil COPPER ONLY WHEN USING Y644 DIELESS HYPRESS™.

14. USE Y644 OR PAT644-18V DIELESS HYPRESS™ ONLY WHEN INSTALLING 900 kcmil COMPACT ALUMINUM. NOT UL LISTED WITH 900 Kcmil COMPACT ALUMINUM USING ANY TOOL.

15. WHEN USING U34ART DIE, OVERLAP CRIMPS BY 1/4 OF THE PLOW WIDTH OF THE DIE.

REV	DATE	DESCRIPTION	ECO	BY	C'K'
M	10/01/2014 17:00:00 PM	CAT.# YA30A9N100T58E, YA30A9N100TD12E & YA39A1N131TD58E ADDED	37988	RG	BSB

CATALOG NUMBER	LETTERING TABLE	
	TYPICAL STAMPING	UL
YA25A15S61T14E	YA25A15S61T14E AL9CU-HV 1-1/0 STR Y644M (1) 1/0 STR DIE 296	UL
YA25A1S60T516E	YA25A1S60T516E AL9CU-HV 1-1/0 STR Y644M (1) 1/0 STR DIE 296	UL
YA25A3N69T38E	YA25A3N69T38E AL9CU-HV 1-1/0 STR Y644M (1) 1/0 STR DIE 296	UL
YA30A9N100T516E	YA30A9N100T516E AL9CU-HV 2/0-300 Y644M (1) 300 DIE 470	UL
YA30A6N100T38E	YA30A6N100T38E AL9CU-HV 2/0-300 Y644M (1) 300 DIE 470	UL
YA31A11N100T516E	YA31A11N100T516E AL9CU-HV 3/0-350 Y644M (1) 350 DIE 299	UL
YA31A9N100T38E	YA31A9N100T38E AL9CU-HV 3/0-350 Y644M (1) 350 DIE 299	UL
YA34A7N119TD12E	YA34A7N119TD12E AL9CU-HV 4/0-500 Y644M (2) 500 DIE 472	UL
YA34A8N131T38E	YA34A8N131T38E AL9CU-HV 4/0-500 Y644M (2) 500 DIE 300	UL
YA34A3N131T12E	YA34A3N131T12E AL9CU-HV 4/0-500 Y644M (2) 500 DIE 300	UL
YA36A9N131TD12E	YA36A9N131TD12E AL9CU-HV 250-600 Y644M (2) 600 DIE 300	UL
YA36A3N131TD38E	YA36A3N131TD38E AL9CU-HV 250-600 Y644M (2) 600 DIE 300	UL
YA36A3N131TD12E	YA36A3N131TD12E AL9CU-HV 250-600 Y644M (2) 600 DIE 300	UL
YA39A5N131TD12E	YA39A5N131TD12E AL9-HV 900 COMPACT AL Y644 (2) AL9CU-HV500 Y644M (2) 750 DIE 300	UL



CONNECTOR SIZE	TOLERANCES					
	B	E	K DIA.	L	N	O.D.
-8C THRU -25	±.06	±.02	±.02	±.09	±.03	±.01
-26 THRU -34	±.08	±.02	±.02	±.12	±.03	±.01
-35 AND LARGER	±.09	±.02	±.02	±.15	±.03	±.01

TO ORDER BURNDY® PRODUCTS CALL

UNITED STATES  
1-800-346-4175 (LONDONDERRY, NH)

CANADA:  
1-800-361-6975 (QUEBEC)  
1-800-387-6487 (ALL OTHER PROVINCES)

FOR PRODUCT INFO: <http://www.burndy.com>

HYLUG™ AL. OEM EQUIPMENT

ITEM NO: N/A  
CAT. NO: YA-A-E (SEE TABLE)  
DRAWN BY: P.LAPONIUS 2/11/02  
CHECKER: G.ZAHLMAN 3/19/02  
DSN APPVL: G.ZAHLMAN 3/19/02  
MFG APPVL: N/A --  
QA APPVL: J.BRODEUR 3/19/02  
MKT APPVL: R.ROBICHEAU 3/19/02

SCALE: 1:1

PROJ #:  
DOCUMENT TYPE: Sales  
REL LEVEL: Released

DRAWING NO  
SD214515-01  
SHEET 1 OF 3

REV  
M

REV: PE0200

DRAWING NO.  
SD214515-01

CATALOG NUMBER	MAX. COPPER OR ALUMINUM CONDUCTOR ACCOMMODATED		STUD SIZE	METRIC STUD SIZE	DIMENSIONS							
	CODE (AWG)	NO. OF STRANDS			B	C MAX.	K DIA.	L	N	O.D.	T REF.	Z MIN.
YA8CA3S56T14E	#8 STR .146 DIA.	7	1/4	M6	.62 [16]	.56 [14]	.28 [7]	1.65 [42]	.33 [8]	.30 [08]	.09 [2]	.35 [9]
YA2CA5S53T14E	#2 STR .292 DIA.	7	1/4	M6	1.00 [25]	.53 [13]	.28 [7]	2.25 [57]	.33 [8]	.53 [13]	.22 [6]	.35 [9]
YA2CAIS9IT516E	#2 STR .292 DIA.	7	5/16	--	1.12 [28]	.91 [23]	.38 [10]	2.50 [64]	.41 [10]	.53 [13]	.16 [4]	.39 [10]
YA26A13N100T516E	2/0 STR .418 DIA.	19	5/16	--	1.11 [28]	1.00 [25]	.38 [10]	2.45 [62]	.41 [10]	.67 [17]	.24 [6]	.39 [10]
YA26A6N100T38E	2/0 STR .418 DIA.	19	3/8	--	1.11 [28]	1.00 [25]	.44 [11]	2.53 [64]	.44 [11]	.67 [17]	.24 [6]	.44 [11]
YA27A10S76T516E	3/0 STR .470 DIA.	19	5/16	--	1.11 [28]	.76 [19]	.38 [10]	2.58 [66]	.41 [10]	.76 [19]	.26 [7]	.39 [10]
YA28A14N100T516E	4/0 STR .528 DIA.	19	5/16	--	1.39 [35]	1.00 [25]	.38 [10]	2.85 [72]	.41 [10]	.85 [22]	.30 [8]	.39 [10]
YA28AIN100T38E	4/0 STR .528 DIA.	19	3/8	--	1.39 [35]	1.00 [25]	.44 [11]	2.94 [75]	.44 [11]	.85 [22]	.30 [8]	.44 [11]
YA32A8N106T516E	400 Kcmil .728 DIA.	37	5/16	--	2.26 [57]	1.06 [27]	.38 [10]	3.92 [100]	.41 [10]	1.19 [30]	.43 [11]	.39 [10]

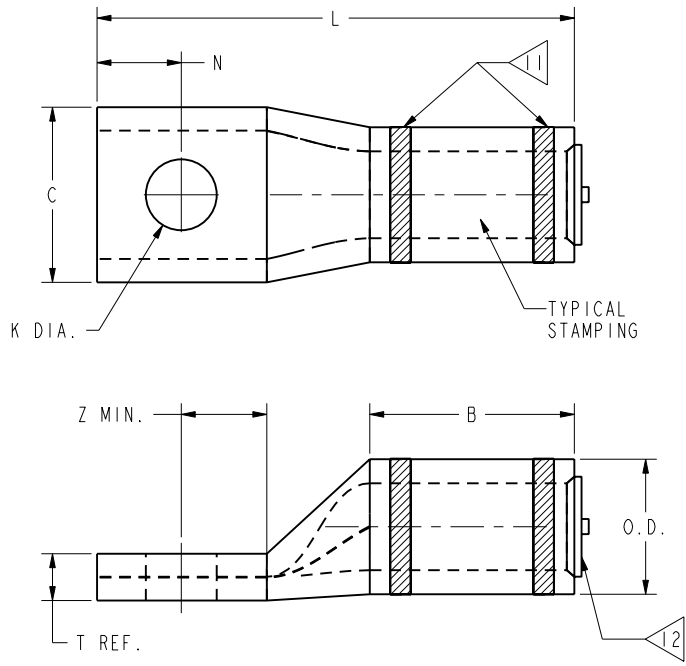
CATALOG NO.	COLOR CODE	DIE INFORMATION		INSTALLATION TOOLING (# CRIMPS)						WIRE STRIP LENGTH
		DIE INDEX	TYPE	HYDRAULIC						
				DIELESS Y644M	Y35, Y39 Y750, PAT750	Y46 PAT46	Y45	Y48B	Y60BHU	
YA8CA3S56T14E	BLUE	374	BLUE DIESET	ONE (1)	U8CABT (1)	U8CABT (1)	U8CABT (1)	-----	-----	11/16"
YA2CA5S53T14E	PINK	348	PINK DIESET	ONE (1)	U2CABT (1)	U2CABT (1)	U2CABT (1)	-----	-----	1-1/16"
YA2CAIS9IT516E					U2CABT (1)	U2CABT (1)	U2CABT (1)	-----	-----	1-3/16"
YA26A13N100T516E	OLIVE	297	OLIVE DIESET	ONE (1)	U26ART (2)	U26ART (2)	U26ART (2)	C26AR (1)	L26ART (2)	1-3/16"
YA26A6N100T38E					U26ART (2)	U26ART (2)	U26ART (2)	C26AR (1)	L26ART (2)	1-3/16"
YA27A10S76T516E	RUBY	467	RUBY DIESET	ONE (1)	U27ART (2)	U27ART (2)	U27ART (2)	C27AR (1)	L27ART (2)	1-3/16"
YA28A14N100T516E	WHITE	298	WHITE DIESET	ONE (1)	U28ART (2)	U28ART (2)	U28ART (2)	C28AR (1)	L28ART (2)	1-7/16"
YA28AIN100T38E					U28ART (2)	U28ART (2)	U28ART (2)	C28AR (1)	L28ART (2)	1-7/16"
YA32A8N106T516E	GREEN	472	GREEN DIESET	ONE (1)	U32ART (4)	U32ART (4)	U32ART (4)	C32AR (2)	L32ART (2)	2-5/16"

- NOTES:
- MATERIAL: HIGH CONDUCTIVITY ALUMINUM.
  - FINISH: ELECTRO-TIN PLATED.
  - CATALOG # PT6515 ADAPTER IS REQUIRED TO USE "U" DIES IN Y45 SERIES TOOLS.
  - CATALOG # PUADP-1 ADAPTER IS REQUIRED TO USE "U" DIES IN Y46 SERIES TOOLS.
  - REMOVE ALL EXCESS PENETROX™ FROM CONNECTOR AND ADJACENT CONDUCTOR PRIOR TO TAPING.
  - DIMENSIONS IN BRACKETS [ ] ARE IN MILLIMETERS ROUNDED OFF TO THE NEAREST MILLIMETER, UNLESS OTHERWISE NOTED, AND ARE FOR REFERENCE ONLY.
  - CONNECTORS ARE UL (AL9CU-HV) LISTED.
  - CONNECTORS ARE CSA CERTIFIED.
  - "X", "U", & "L" DIE SETS ARE COLOR CODED. "C" DIES ARE NOT COLOR CODED.
  - CONNECTOR BARRELS PREFILLED WITH PENETROX™ OXIDE INHIBITING COMPOUND.
  - KNURLED CRIMP GUIDE LINES.
  - COLOR CODED CAPPLUGS.

CONNECTOR SIZE	TOLERANCES				
	B	K DIA.	L	N	O.D.
-8C THRU -25	±.06	±.02	±.09	±.03	±.01
-26 THRU -34	±.08	±.02	±.12	±.03	±.01
-35 AND LARGER	±.09	±.02	±.15	±.03	±.01

TOLERANCE BLOCK

CATALOG NUMBER	LETTERING TABLE	
	TYPICAL STAMPING	7 8
YA8CA3S56T14E	Ⓢ YA8CA3S56T14E (UL) 8 STR AL7CU DIE 374	7 8
YA2CA5S53T14E	Ⓢ YA2CA5S53T14E (UL) AL9CU-HV 6-2 STR Y644M (1) 2 STR DIE 348	7 8
YA2CAIS9IT516E	Ⓢ YA2CAIS9IT516E (UL) AL9CU-HV 6-2 STR Y644M (1) 2 STR DIE 348	7 8
YA26A13N100T516E	Ⓢ YA26A13N100T516E (UL) AL9CU-HV 1-2/0 STR Y644M (1) 2/0 STR DIE 297	7 8
YA26A6N100T38E	Ⓢ YA26A6N100T38E (UL) AL9CU-HV 1-2/0 STR Y644M (1) 2/0 STR DIE 297	7 8
YA27A10S76T516E	Ⓢ YA27A10S76T516E (UL) AL9CU-HV 1-3/0 STR Y644M (1) 3/0 STR DIE 467	7 8
YA28A14N100T516E	Ⓢ YA28A14N100T516E (UL) AL9CU-HV 1-4/0 STR Y644M (1) 4/0 STR DIE 298	7 8
YA28AIN100T38E	Ⓢ YA28AIN100T38E (UL) AL9CU-HV 1-4/0 STR Y644M (1) 4/0 STR DIE 298	7 8
YA32A8N106T516E	Ⓢ YA32A8N106T516E (UL) AL9CU-HV 4/0-400 Y644M (2) 400 DIE 472	7 8



REV	DATE	DESCRIPTION	ECO	BY	C'H'K.
M	10/01/2014 17:00:00 PM	CAT. # YA30A9N100T516E, YA30A9N100T12E & YA39A1N131T516E ADDED	37988	RG	BSB

REFERENCE: SD213872

TO ORDER BURNDY® PRODUCTS CALL		HYLUG™ AL. OEM EQUIP. (1 HOLE)	
UNITED STATES 1-800-346-4175 (LONDONDERRY, NH)		ITEM NO: N/A	SCALE: 1:1
CANADA: 1-800-361-6975 (QUEBEC) 1-800-387-6487 (ALL OTHER PROVINCES)		CAT. NO: YA-A-E (SEE TABLE)	REV
FOR PRODUCT INFO: <a href="http://www.burndy.com">http://www.burndy.com</a>		DRAWN BY: D. BOISVERT 4/26/02	SD214515-01
		CHECKER: P. LAPONTUS 4/26/02	M
		DSN APPVL: W. ZAHLMAN 4/25/02	SHEET 2 OF 3
		MFG APPVL: N/A --	
		QA APPVL: C. ACKERMAN 4/25/02	
		MKT APPVL: R. ROBICHEAU 4/25/02	
		PROJ #: --	
		SIZE: D	
		DOCUMENT TYPE: Sales	
		REL LEVEL: Released	

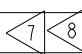


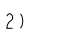

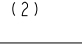
REV: PE0200

DRAWING NO.  
SD214515-01

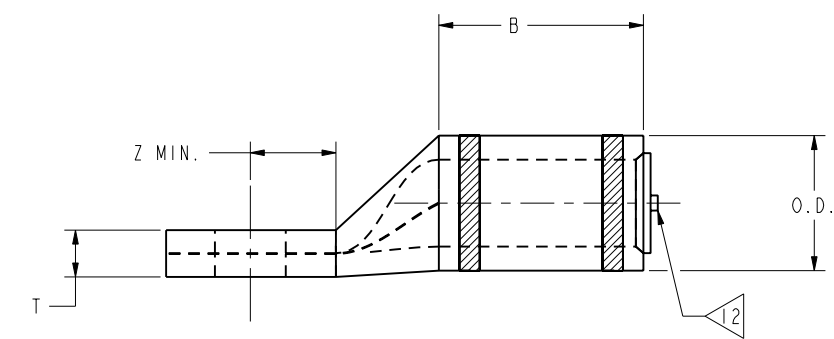
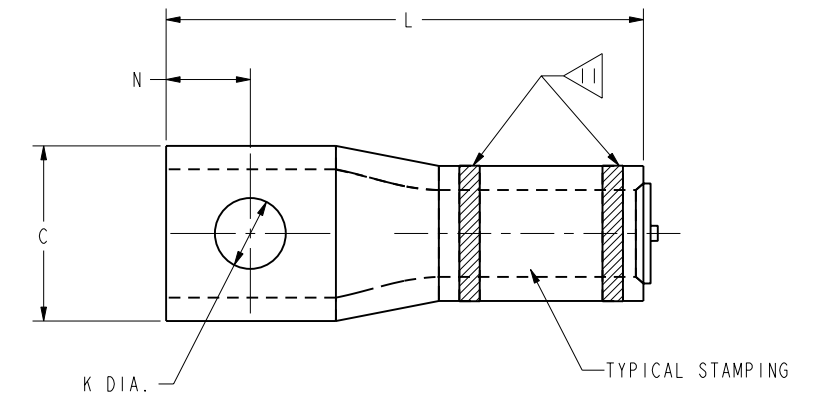
CATALOG NO.	MAX. COPPER OR ALUMINUM CONDUCTOR ACCOMMODATED		STUD SIZE	METRIC STUD SIZE	DIMENSIONS							
	CODE (AWG)	NO. OF STRANDS			B	C MAX.	K DIA.	L	N	O.D.	T	Z MIN.
YA30AINI3IT12E	300 Kcmil .630 DIA.	37	1/2	M12	1.53 [39]	1.31 [33]	.53 [13]	3.57 [91]	.63 [16]	1.01 [26]	.35 MAX. [9]	.64 [16]
YA30A9N100TD58E	300 Kcmil .630 DIA.	37	5/8	--	1.53 [39]	1.00 [25]	.69 [18]	3.65 [93]	.66 [17]	1.01 [26]	.36 [9]	.67 [17]
YA30A9N100TD12E	300 Kcmil .630 DIA.	37	1/2	M12	1.53 [39]	1.00 [25]	.53 [13]	3.59 [91]	.63 [16]	1.01 [26]	.36 [9]	.64 [16]
YA34A7N13IT12E	500 Kcmil .813 DIA.	37	1/2	M12	1.64 [42]	1.31 [33]	.53 [13]	3.88 [99]	.63 [16]	1.31 [33]	.35 MAX. [9]	.64 [16]
YA39AINI3ITD12E	750 Kcmil .998 DIA.	61	1/2	M12	1.86 [47]	1.31 [33]	.53 [13]	4.28 [109]	.63 [16]	1.31 [33]	.31 REF. [8]	.64 [16]
YA39AINI3ITD58E	900 Kcmil COMPACT AL (1.005 DIA.)		5/8	--			.69 [18]	4.34 [110]	.66 [17]			.67 [17]

REV	DATE	DESCRIPTION	ECO	BY	C'H'K.
M	10/01/2014 17:00:00 PM	CAT. # YA30A9N100TD58E, YA30A9N100TD12E & YA39AINI3ITD58E ADDED	37988	RG	BSB

CONNECTOR SIZE	TOLERANCES				
	B	K DIA.	L	N	O.D.
-8C THRU -25	±.06	±.02	±.09	±.03	±.01
-26 THRU -34	±.08	±.02	±.12	±.03	±.01
-35 AND LARGER	±.09	±.02	±.15	±.03	±.01

LETTERING TABLE	
CATALOG NUMBER	TYPICAL STAMPING
YA30AINI3IT12E	  YA30AINI3IT12E (UL) AL9CU-HV 2/0-300 Y644M (1) 300 DIE 470
YA34A7N13IT12E	  YA34A7N13IT12E (UL) AL9CU-HV 4/0-500 Y644M (2) 500 DIE 300
YA39AINI3ITD12E	  YA39AINI3ITD12E (UL) AL9-HV500-750 Y644M (2) AL9-HV900 COMPACT AL Y644 (2) PAT644 (2) AL9CU-HV500 Y644M (2) 750 DIE 300

CATALOG NO.	INSTALLATION TOOLING (# CRIMPS)									
	COLOR CODE	DIE INFORMATION		HYDRAULIC						WIRE STRIP LENGTH
		DIE INDEX	TYPE	DIELESS Y644 PAT644	Y35, Y39 Y750, PAT750	Y46 PAT46	Y45	Y48B	Y60BHU	
YA30AINI3IT12E	BLUE	470	BLUE DIE SET	ONE (1)	U30ART (2)	U30ART (2)	U30ART (2)	C30AR (1)	L30ART (1)	1-5/8"
YA34A7N13IT12E	PINK	300	PINK DIE SET	TWO (2)	U34ART (4)	U34ART (4)	U34ART (4)	C34AR (2)	L34ART (2)	1-11/16"
YA39AINI3ITD12E	PINK	300	PINK DIE SET		U34ART (4)	U34ART (4)	U34ART (4)	C34AR (2)	L34ART (2)	1-29/32"



- NOTES:
- MATERIAL: HIGH CONDUCTIVITY ALUMINUM.
  - FINISH: ELECTRO-TIN PLATED.
  - CATALOG # PT6515 ADAPTER IS REQUIRED TO USE "U" DIES IN Y45 SERIES TOOLS.
  - CATALOG # PUADP-1 ADAPTER IS REQUIRED TO USE "U" DIES IN Y46 SERIES TOOLS.
  - REMOVE ALL EXCESS PENETROX™ FROM CONNECTOR AND ADJACENT CONDUCTOR PRIOR TO TAPING.
  - DIMENSIONS IN BRACKETS [ ] ARE IN MILLIMETERS ROUNDED OFF TO THE NEAREST MILLIMETER, UNLESS OTHERWISE NOTED, AND ARE FOR REFERENCE ONLY.
  - CONNECTORS ARE UL LISTED.
  - CONNECTORS ARE CSA CERTIFIED.
  - "X", "U", & "L" DIE SETS ARE COLOR CODED. "C" DIES ARE NOT COLOR CODED.
  - CONNECTOR BARRELS PREFILLED WITH PENETROX™ OXIDE INHIBITING COMPOUND.
  - KNURLED CRIMP GUIDE LINES.
  - COLOR CODED CAPPLUGS.
  - 900 kcmil COMPACT ALUMINUM ONLY.
  - USE Y644 OR PAT644-18V DIELESS HYPRESS™ ONLY WHEN INSTALLING 900 kcmil COMPACT ALUMINUM. NOT UL LISTED WITH 900 Kcmil COMPACT ALUMINUM USING ANY TOOL.
  - WHEN USING U34ART DIE, OVERLAP CRIMPS BY 1/4 OF THE PLOW WIDTH OF THE DIE.

REFERENCE: SD213750

TO ORDER BURNDY® PRODUCTS CALL		HYLUG™ AL. OEM EQUIP. (1 HOLE)	
UNITED STATES 1-800-346-4175 (LONDONDERRY, NH)		ITEM NO: N/A	CAT. NO: YA-A-E (SEE TABLE)
CANADA: 1-800-361-6975 (QUEBEC) 1-800-387-6487 (ALL OTHER PROVINCES)		DRAWN BY: D. BOISVERT 4/26/02	CHECKER: P. LAPONTUS 4/26/02
FOR PRODUCT INFO: <a href="http://www.burndy.com">http://www.burndy.com</a>		DSN APPVL: W. ZAHLMAN 4/25/02	MFG APPVL: N/A --
		QA APPVL: C. ACKERMAN 4/25/02	MKT APPVL: R. ROICHEAU 4/25/02
		PROJ #:	SCALE: 1:1
		SIZE: D	DRAWING NO: SD214515-01
		DOCUMENT TYPE: Sales	REV: M
		REL LEVEL: Released	SHEET 3 OF 3

REV: PE0200