

## SPECIFICATION & FEATURES

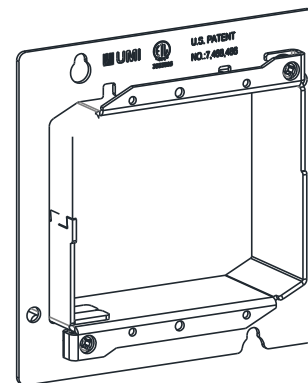
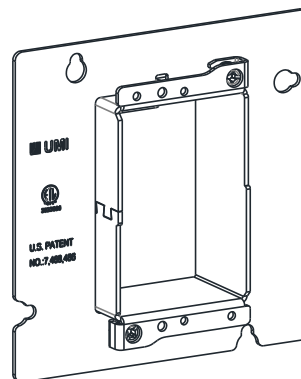
## 5S ADJUSTABLE RINGS

### DESCRIPTION:

Orbit Industries' Patented Adjustable Rings for 1-Gang and 2-Gang applications are used with 4-11/16" Square boxes to mount electrical fixtures and other devices. Rings are used with 2-1/8" or deeper boxes and can be adjusted from 1/4" to 1-1/4". Orbit Industries' time-saving design provides flexibility during installation and replaces other non-adjustable device rings.

### CERTIFICATION:

ETL File 3033655, U.S. Patent No.:7,468,486



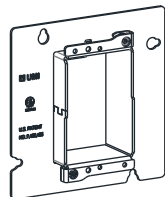
### FEATURES

#### General:

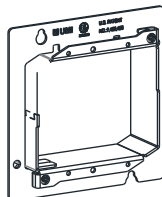
For use with 4-11/16" Square 2-1/8" or deeper boxes  
 1/4" to 1-1/4" adjustability range  
 Solution to stocking multiple items  
 Provide flexibility at the job site

### CONFIGURATION DATA

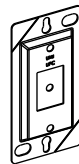
Catalog No.	Description	Standard	With 1GX75	With 2GX75	Std. Pkg.
5SAR1G	1-Gang Adjustable ring for 5S deep boxes	1/4" to 1-1/4"	1" to 2"	-	25
5SAR2G	2-Gang Adjustable ring for 5S deep boxes	1/4" to 1-1/4"	-	1" to 2"	25
UPC	Gangable, Steel Universal Protective Cover protects any device during drywall, painting, routing, mudding & plastering.	-	-	-	25
UPCTS	Optional Plastic Insert for UPC to protect Toggle Switch.	-	-	-	25



5SAR1G



5SAR2G



UPC



UPCTS

