

# HJL36110

## POWERPACT H-FRAME, CIRCUIT BREAKER, THERMAL-MAGNETIC, 110A, 3P, 600V, 25kA



Product availability: Stock - Normally stocked in distribution facility



### Main

Product or component type	Circuit breaker
Range of product	PowerPact H
Trip Unit Type	Thermal-magnetic
Breaking capacity code	J

### Complementary

Line Rated Current	110 A
Number of Poles	3P
Interrupt Rating	100 KA 240 V AC 65 KA 480 V AC 25 KA 600 V AC 20 kA 250 V DC
[Ue] rated operational voltage	250 V DC 600 V AC
Continuous current rating	80 %
Mounting mode	Unit mount
Electrical connection	Lugs load Lugs line
Wire Gauge	AWG 14...AWG 3/0 aluminium/copper
Magnetic hold current	900 A
Magnetic tripping current	1700 A
Height	162.56 mm (6.4 in)
Width	104.65 mm (4.12 in)
Depth	110.74 mm (4.36 in)
Tightening torque	44.25 lbf.in (5 N.m) 0.00...0.15 in <sup>2</sup> (2.5...95 mm <sup>2</sup> ) AWG 14...AWG 3/0

### Environment

Product certifications	UL listed CSA CE IEC
Ambient air temperature for operation	104 °F (40 °C)

### Ordering and shipping details

Category	01115 - HG,HJ,JG,JJ UNIT MT BREAKER/SWITCH
Discount Schedule	DE2
GTIN	00785901623229
Package weight(Lbs)	1.88 kg (4.14 lb(US))
Returnability	Yes
Country of origin	MX

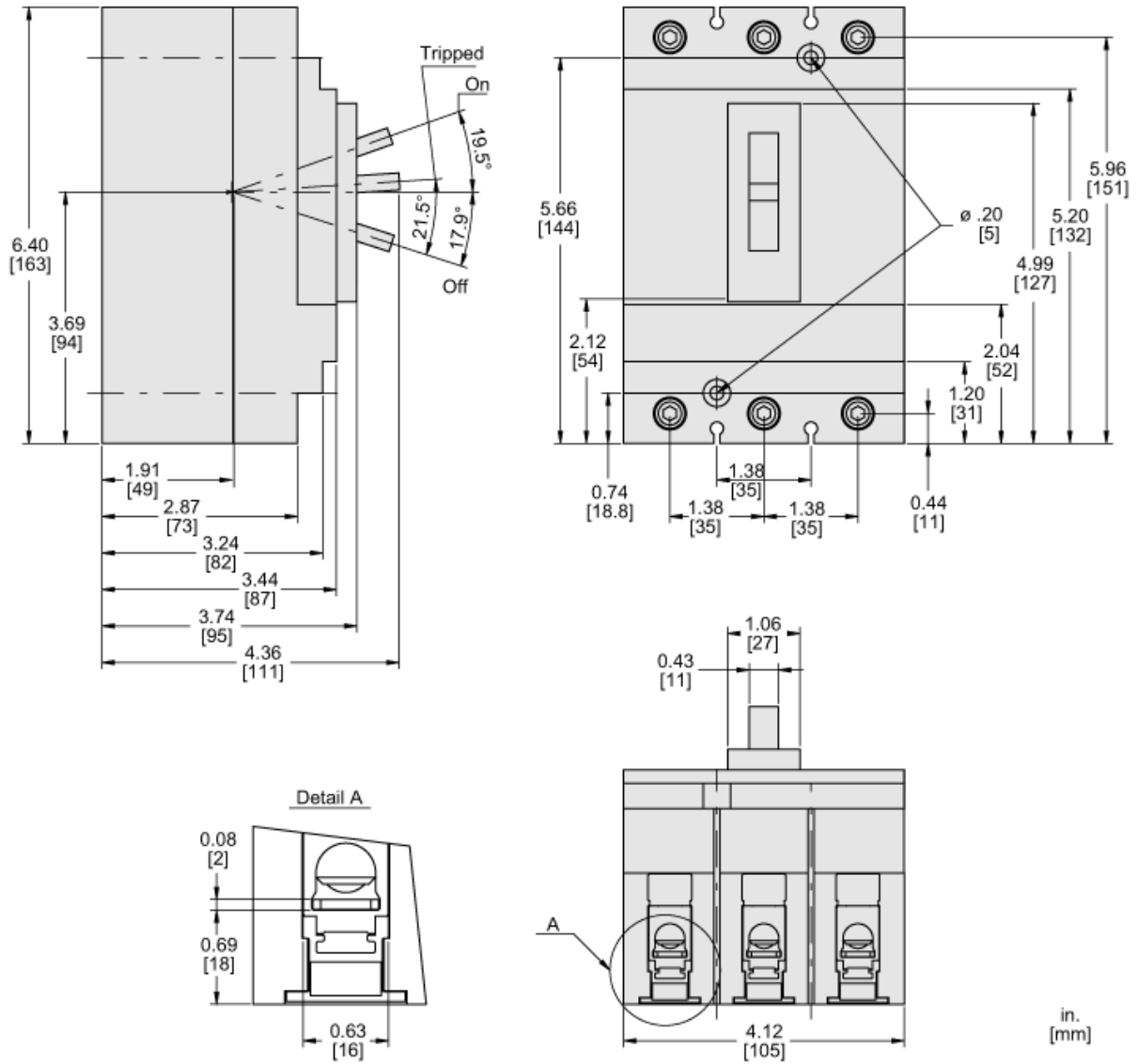
## Offer Sustainability

Sustainable offer status	Green Premium product
REACH Regulation	<a href="#">REACH Declaration</a>
EU RoHS Directive	Compliant <a href="#">EU RoHS Declaration</a>
Mercury free	Yes
RoHS exemption information	<a href="#">Yes</a>
China RoHS Regulation	<a href="#">China RoHS Declaration</a>
Environmental Disclosure	<a href="#">Product Environmental Profile</a>
Circularity Profile	No need of specific recycling operations

## Contractual warranty

Warranty	18 months
----------	-----------

Approximate Dimensions



---

Trip Curve / Time Current Curve

---

MULTIPLES OF RATED CURRENT

HD, HG, HJ, HL MOLDED CASE CIRCUIT BREAKERS  
CHARACTERISTIC TRIP CURVE NO. 50-4

CIRCUIT BREAKER INFORMATION			
Circuit Breaker Prefix	Continuous Ampere Rating	Maximum AC Voltage	Number of Poles
HD, HG, HJ, HL	110-150	600	2, 3

This curve is to be used for application and coordination purposes only. The EZ-AMP overlay feature at the bottom of the page should be used during coordination studies.

All time-current characteristic curve data is based on 40°C ambient cold start. Terminations are made with conductors of appropriate length and ratings.

