

Hubbellock® Devices  
30A, 600V AC, 20A, 250V DC, 3 Pole, 4 Wire  
Grounding

## Hubbellock® Plug

### Features

- Molded-in male contacts are resistant to damage and provide a consistently positive connection
- Insulated non-metallic housing enhances safety and abuse resistance
- Box terminals in conjunction with screws with pressure pads provide maximum termination strength and dependability
- Three-piece clamp assembly provides maximum strain relief and protects against entry of moisture and dust

### Ordering Information

Description	Cord Diameter	UPC	Catalog Number
Black nylon housing, thermoplastic interior, corrosion resistant	.700"-1.200" (17.78-30.5)	783585017563	HBL21CM415B

### Listings

Listed to UL Standard  
Certified to CSA Standard

### Specifications

Device Color	Yellow
Housing	Nylon
Cord Clamp Material	PET
Plug Housing	Thermoset
Contacts	Brass
Terminal Screws	Stainless Steel
Assembly Screws	Stainless Steel

### Performance

#### Electrical

Current Interrupting	Certified for current interrupting at full rated current
Dielectric Voltage Withstand	2,000V minimum

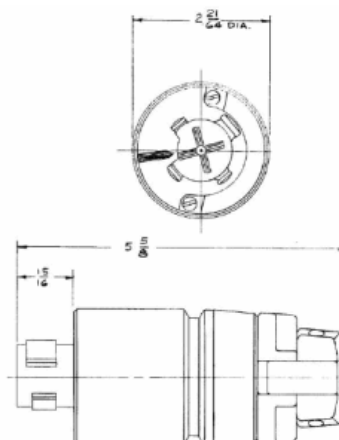
#### Mechanical

Terminal Accommodation	#10 AWG - #6 AWG stranded copper wire only.
Terminal Identification	Terminals identified in accordance with UL 498

#### Environmental

Flammability	UL 94 VO for Receptacles and Inlets. HB or better for Plugs and Connectors
Moisture Resistance	IP30 Suitability
Operating Temperatures	Maximum Continuous 75°C; Minimum -40°C (w/o impact)

# HUBBELL



### Accessories

Connector	HBL21CM414B
Single Receptacle	HBL22CM427
"Mini" Boot	HBL20425B

### Resources

Customer Use Drawing  
eCatalog

Dimensions in Inches (mm)

Hubbell Wiring Device-Kellems • Hubbell Incorporated (Delaware) • 40 Waterview Drive • Shelton, CT 06484

Phone (800) 288-6000 • Fax (800) 255-1031 • Specifications subject to change without notice.

