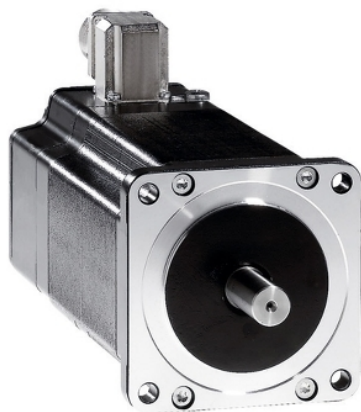




Product availability: Non-Stock - Not normally stocked in distribution facility



## Main

|                           |                       |
|---------------------------|-----------------------|
| Range compatibility       | Lexium SD3            |
| Product or component type | Motion control motor  |
| Device short name         | BRS3                  |
| Maximum mechanical speed  | 3000 rpm              |
| Motor type                | 3-phase stepper motor |
| Number of motor poles     | 6                     |
| Supply voltage limits     | 230 V AC<br>325 V DC  |
| Mounting support          | Flange                |
| Motor flange size         | 3.35 in (85 mm)       |
| Length                    | 6.73 in (171 mm)      |
| Centring collar diameter  | 2.36 in (60 mm)       |

## Complementary

|                                       |   |
|---------------------------------------|---|
| Centring collar depth                 | 0.08 in (2 mm)  |
| Number of mounting holes              | 4   |
| Mounting holes diameter               | 0.26 in (6.5 mm)  |
| Circle diameter of the mounting holes | 3.90 in (98.99 mm)  |
| Electrical connection                 | Connector   |
| Feedback type                         | Single turn encoder   |
| Speed feedback resolution             | 10000 points/turn   |
| Holding brake                         | With  |
| Shaft end                             | Untapped  |
| Second shaft                          | Without second shaft end  |
| Shaft diameter                        | 0.55 in (14 mm)   |
| Shaft length                          | 1.18 in (30 mm)   |
| Nominal torque                        | 53.10 lbf.in (6 N.m)  |
| Peak stall torque                     | 51.16 lbf.in (5.78 N.m)   |
| Continuous stall torque               | 51.16 lbf.in (5.78 N.m)   |
| Holding torque                        | 60.01 lbf.in (6.78 N.m)   |
| Rotor inertia                         | 3.3 kg.cm <sup>2</sup>  |
| Resolution                            | 1000 points/turn<br>1.8 °, 0.9 °, 0.72 °, 0.36 °, 0.18 °, 0.09 °, 0.072 °, 0.036 ° step angle<br>200, 400, 500, 1000, 2000, 4000, 5000, 10000 steps number of full steps per revolution |
| Accuracy error                        | +/- 6 arc min   |
| Maximum starting frequency            | 5.3 kHz   |
| Line Rated Current                    | 2.25 A  |
| Resistance                            | 6.5 Ohm winding)  |
| Time constant                         | 10 ms   |
| Maximum radial force Fr               | 110 N first shaft end)<br>50 N second shaft end)  |
| Maximum axial force Fa                | 175 N tensile force)<br>30 N force pressure)  |
| Service life in hours                 | 20000 h bearing)  |

The information provided in this documentation contains general descriptions and/or technical characteristics of the performance of the products contained herein. This documentation is not intended as a substitute for and is not to be used for determining suitability or reliability of these products for specific user applications. It is the duty of any such user or integrator to perform the appropriate and complete risk analysis, evaluation and testing of the products with respect to the relevant specific application or use thereof. Neither Schneider Electric Industries SAS nor any of its affiliates or subsidiaries shall be responsible or liable for misuse of the information contained herein.

|                      |                           |
|----------------------|---------------------------|
| Angular acceleration | 200000 rad/s <sup>2</sup> |
| Product weight       | 9.48 lb(US) (4.3 kg)      |

## Environment

|                                       |   |
|---------------------------------------|---|
| Standards                             | EN 50347<br>IEC 60072-1   |
| Type of cooling                       | Natural convection  |
| Ambient air temperature for operation | -13...104 °F (-25...40 °C)  |
| Ambient air temperature for storage   | -13...158 °F (-25...70 °C)  |
| Operating altitude                    | <= 3280.84 ft (1000 m) without power derating                                       |
| Relative humidity                     | 15...85 % without condensation  |
| Vibration resistance                  | 20 m/s <sup>2</sup> maximum<br>A EN/IEC 60034-14                                    |
| IP degree of protection               | Shaft bushing IP41 EN/IEC 60034-5<br>Total except shaft bushing IP56 EN/IEC 60034-5 |
| Temperature class                     | F winding IEC/EN 60034-1  |

## Ordering and shipping details

|                     |                        |
|---------------------|------------------------|
| Category            | 18284 - STEPPER MOTORS |
| Discount Schedule   | PC55                   |
| GTIN                | 03389119224123         |
| Package weight(Lbs) | 6.95 kg (15.33 lb(US)) |
| Returnability       | No                     |
| Country of origin   | DE                     |

## Offer Sustainability

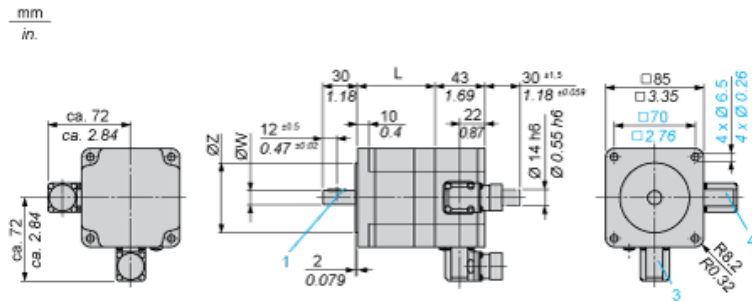
|                            |   |
|----------------------------|---|
| Sustainable offer status   | Green Premium product   |
| California proposition 65  | WARNING: This product can expose you to chemicals including: Lead and lead compounds which is known to the State of California to cause Carcinogen & Reproductive harm. For more information go to <a href="http://www.p65warnings.ca.gov">www.p65warnings.ca.gov</a> |
| REACH Regulation           | <a href="#">REACH Declaration</a>   |
| REACH free of SVHC         | Yes   |
| EU RoHS Directive          | Pro-active compliance (Product out of EU RoHS legal scope) <a href="#">EU RoHS Declaration</a>  |
| Mercury free               | Yes   |
| RoHS exemption information | <a href="#">Yes</a>   |
| China RoHS Regulation      | <a href="#">China RoHS Declaration</a>  |
| Environmental Disclosure   | <a href="#">Product Environmental Profile</a>   |
| Circularity Profile        | No need of specific recycling operations  |
| WEEE                       | The product must be disposed on European Union markets following specific waste collection and never end up in rubbish bins.  |

## Contractual warranty

|          |           |
|----------|-----------|
| Warranty | 18 months |
|----------|-----------|

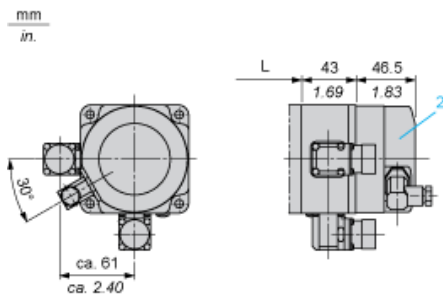
Dimensions

3-Phase Stepper Motor in Connector Version



- 3 : Motor connection 6 poles
- 4 : Motor connection (optional) 12 poles

Holding Brake



- 2 : Holding brake (optional)

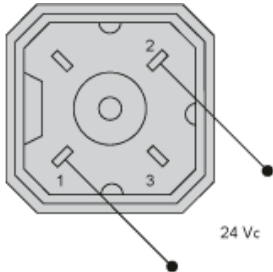
Dimensions in mm

| L                   | Shaft diameter ØW | Centring collar ØZ | Woodruff key DIN 6888 (1) |
|---------------------|-------------------|--------------------|---------------------------|
| 127.5 (+0.6) (-0.8) | 14 h6             | 60 h8              | 5 x 6.5                   |

Dimensions in in.

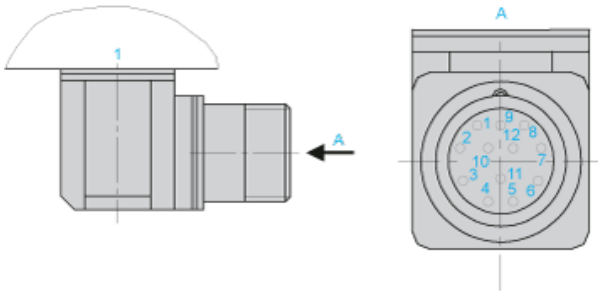
| L                      | Shaft diameter ØW | Centring collar ØZ | Woodruff key DIN 6888 (1) |
|------------------------|-------------------|--------------------|---------------------------|
| 5.02 (+0.023) (-0.031) | 0.55 h6           | 2.36 h8            | 0.20 x 0.25               |

Wiring Diagram of Holding Brake



The connector is part of the scope of delivery. Connector designation: Hirschmann type G4 A 5M

Wiring Diagram of Encoder Plug on BRS3••



1 : Motor housing

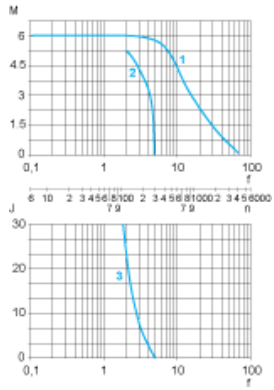
| Pin | Designation          |
|-----|----------------------|
| 1   | A                    |
| 2   | A negated            |
| 3   | B                    |
| 4   | B negated            |
| 5   | C, I                 |
| 6   | C negated, I negated |
| 7   | 5 V <sub>GND</sub>   |
| 8   | + 5                  |
| 9   | -SENSE               |
| 10  | +SENSE               |
| 11  | Temperature sensor   |
| 12  | Not connected        |

---

Torque Characteristics

---

Measurement at 1000 Steps/Revolution, Nominal Voltage DC Bus  $U_N$  and Phase Current  $I_N$



- M : Torque in Nm
- n : Speed in rpm
- f : Frequency in kHz
- J : Rotor inertia in kg.cm<sup>2</sup>
- 1 : Pull-out torque
- 2 : Pull-in torque
- 3 : Maximum load inertia