

120/240 VAC	
PART NO.	AMP RATING
QOU(*)10	10
QOU(*)15	15
QOU(*)20	20
QOU(*)25	25
QOU(*)30	30
QOU(*)35	35
QOU(*)40	40
QOU(*)45	45
QOU(*)50	50
QOU(*)60	60
QOU(*)70	70

(\*) = Number of Poles (1, 2, or 3)  
 "B" SUFFIX INDICATES 40 CT. BULK PKG'S.  
 3 POLE NOT AVAILABLE W/70 AMP RATING

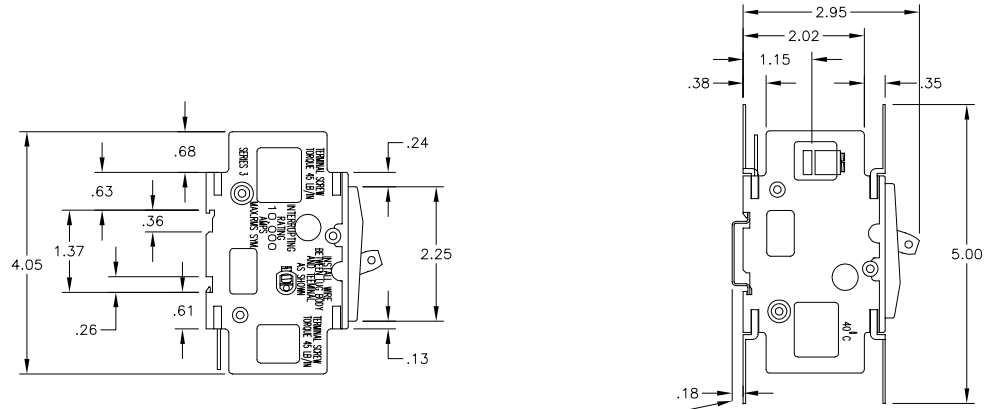
**CIRCUIT BREAKERS**

VOLTS ONE POLE 120/240  
 TWO POLE 120/240 OR 240  
 THREE POLE 240  
 10,000 AMP INTERRUPTING CAPACITY  
 CALIBRATED FOR 40 DEGREES CELSIUS

**SWITCHES**

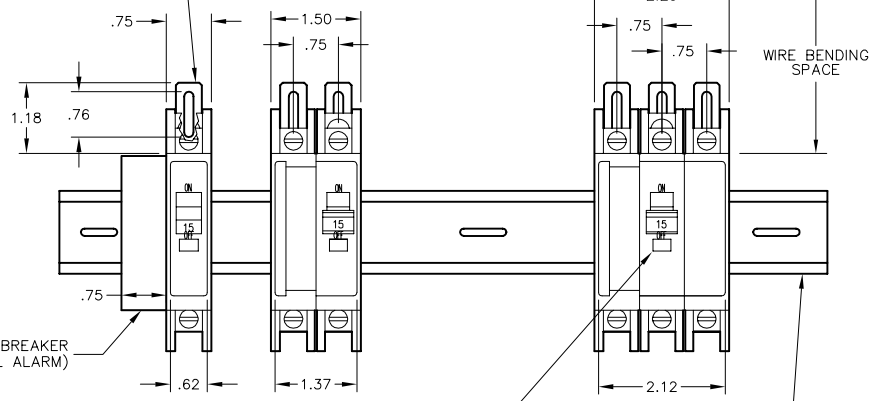
VOLTS ONE POLE 120/240  
 TWO AND THREE POLE 240  
 CAN BE USED ON CIRCUITS CAPABLE  
 OF DELIVERING 10,000 AMPS WHEN  
 PROTECTED UPSTREAM BY A CIRCUIT  
 BREAKER OF SIMILAR AMPERAGE  
 LUGS RATED FOR #2 - #14 CU/AL 60/75 DEGREE WIRE  
 SIMULTANEOUS SWITCHING ON AND OFF OF ALL POLES

Catalog Number: SEE CHART  
 Ratings: SEE CHART  
 UL File/Guide: E33117  
 CSA File/Guide: LR92888-1  
 Meets Standards: UL LISTED AS HACR EXCEPT 10 AMP  
 Weight: -  
 Wire Size: 1 - #14 - 2CU OR AL  
 Terminal torque: -  
 Mounting Hwd.: DIN MOUNT 35 X 7.5MM



MOUNTING BRACKETS TO  
 BE INSTALLED ON  
 BOTH ENDS AS SHOWN.  
 CATALOG NO.'S:  
 ONE POLE - QOUMF1  
 TWO POLE - QOUMF2  
 THREE POLE - QOUMF3

2.50 [64] MIN. WIRE BENDING  
 SPACE FOR 2 AWG  
 1.50 [38] MIN. WIRE BENDING  
 SPACE FOR 14 AWG  
 TYP. BOTH ENDS FOR ALL CB'S SHOWN  
 PER ARTICLE 430-1-(B) NEC



ACCESSORY PACKAGE TYPICAL ANY BREAKER  
 (SHUNT TRIP, "A" OR "B" SWITCH, BELL ALARM)

VISI - TRIP WINDOW:  
 SIMULTANEOUS OPENING AND CLOSING OF ALL POLES  
 WHEN CIRCUIT BREAKER TRIPS, HANDLE ASSUMES CENTER  
 POSITION AND RED INDICATOR APPEARS NEAR WINDOW

"THE SQUARE D COMPANY HAS PROPRIETARY RIGHTS TO THE INFORMATION CONTAINED  
 HEREON. THIS INFORMATION REMAINS THE PROPERTY OF SQUARE D COMPANY AND MAY  
 BE USED ONLY IN CONFORMANCE WITH INSTRUCTIONS ISSUED BY SQUARE D COMPANY.  
 USER SHOULD VERIFY DRAWINGS ARE TO THE LATEST/CURRENT REVISION PRIOR  
 TO INCORPORATING IN A DESIGN FILE."

**DO NOT SCALE DRAWING**  
 UNLESS OTHERWISE SPECIFIED DIMENSIONS ARE IN INCHES

THIRD ANGLE  
 PROJECTION  
**TOLERANCES**  
 UNLESS OTHERWISE SPECIFIED  
 2 PLACE DECIMALS ± .01

CIRCUIT BREAKER  
 QOU 10 - 70 AMP



DWG# QOU\_1-3P\_70A\_OUTLINE\_001  
 NO.