

**CONCEPT EMC, TYPE 4**

**INDUSTRY STANDARDS**

Mounting brackets required to meet UL/CSA external mounting requirement.

UL 508A Listed; Type 4, 12; File No. E61997  
 cUL Listed per CSA C22.2 No. 94; Type 4, 12; File No. E61997

NEMA/EEMAC Type 4, 12, 13  
 CSA, File No. 42186: Type 4, 12  
 VDE IP66  
 IEC 60529, IP66

**APPLICATION**

Use stylish CONCEPT EMC Enclosures with their convenient quarter-turn latches in indoor or outdoor applications to contain stray electromagnetic interference (EMI) signals produced by internal components and to shield those components from external EMI/RFI interference.

**SPECIFICATIONS**

- 18, 16 or 14 gauge steel
- Seams continuously welded and ground smooth
- Minimum width body flange provides maximum door opening
- External formed body flange channels away liquids
- Panel mounting studs fit optional CONCEPT panels and other accessories
- Mounting holes in back of body for direct mounting or for optional external mounting brackets
- Removable door with hidden hinges for clean, aesthetic appearance
- Door opens 210 degrees
- Corner-formed door
- Hinge mounting brackets for wire management or optional accessories
- Stainless steel spring finger EMI/RFI gasket
- Quarter-turn latches
- Grounding stud on body
- Door bars provided for wire management and bonding
- Hardware kit includes panel mounting nuts screws, grounding hardware and sealing washers
- Simple easy-to-remove and install hinge pins with captivation clip
- High-torque threadless studs and fasteners on door
- Illustrated instruction sheet

**FINISH**

Exterior and interior painted with RAL 7035 textured light-gray polyester powder paint over plating.

**ACCESSORIES**

CONCEPT Panels  
 Door Stop Kit  
 Handles  
 Lock Inserts  
 Mounting-Bracket Kits  
 Padlock Insert  
 Padlock Handle

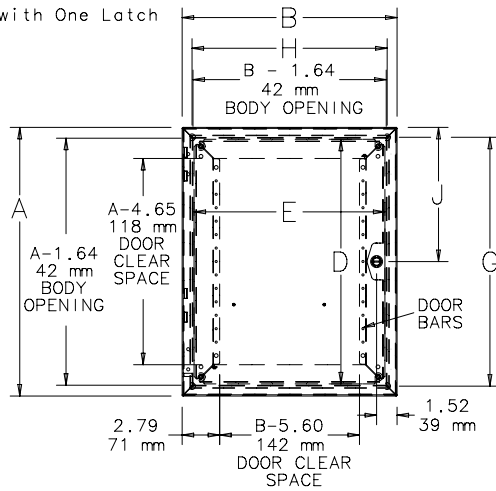
**BULLETIN: A53**

**Standard Product**

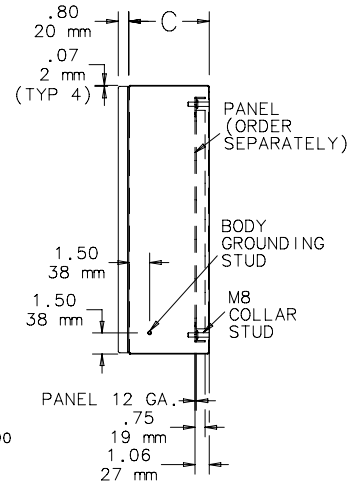
| Catalog Number | AxBxC in./mm                             | Door Ga. | Body Ga. | CONCEPT Panel | Conductive Panel | Panel Size D x E in./mm    | Mounting G x H in./mm      | Latches Qty. | J in./mm     |
|----------------|--|----------|----------|---------------|------------------|----------------------------|----------------------------|--------------|--------------|
| CSD12126LGEMC  | 12.00 x 12.00 x 6.00<br>305 x 305 x 152  | 16       | 18       | CP1212        | CP1212G          | 10.20 x 10.20<br>259 x 259 | 10.50 x 10.50<br>267 x 267 | 1            | 6.00<br>152  |
| CSD16126LGEMC  | 16.00 x 12.00 x 6.00<br>406 x 305 x 152  | 16       | 18       | CP1612        | CP1612G          | 14.20 x 10.20<br>361 x 259 | 14.50 x 10.50<br>368 x 267 | 1            | 8.00<br>203  |
| CSD16166LGEMC  | 16.00 x 16.00 x 6.00<br>406 x 406 x 152  | 16       | 18       | CP1616        | CP1616G          | 14.20 x 14.20<br>361 x 361 | 14.50 x 14.50<br>368 x 368 | 1            | 8.00<br>203  |
| CSD16206LGEMC  | 16.00 x 20.00 x 6.00<br>406 x 508 x 152  | 16       | 18       | CP2016        | CP2016G          | 18.20 x 14.20<br>462 x 361 | 14.50 x 18.50<br>368 x 470 | 1            | 8.00<br>203  |
| CSD20166LGEMC  | 20.00 x 16.00 x 6.00<br>508 x 406 x 152  | 16       | 18       | CP2016        | CP2016G          | 18.20 x 14.20<br>462 x 361 | 18.50 x 14.50<br>470 x 368 | 1            | 10.00<br>254 |
| CSD24206LGEMC  | 24.00 x 20.00 x 6.00<br>610 x 508 x 152  | 16       | 18       | CP2420        | CP2420G          | 22.20 x 18.20<br>564 x 462 | 22.50 x 18.50<br>572 x 470 | 1            | 12.00<br>305 |
| CSD24248LGEMC  | 24.00 x 24.00 x 8.00<br>610 x 610 x 203  | 14       | 16       | CP2424        | CP2424G          | 22.20 x 22.20<br>564 x 564 | 22.50 x 22.50<br>572 x 572 | 2            | 5.00<br>127  |
| CSD30248LGEMC  | 30.00 x 24.00 x 8.00<br>762 x 610 x 203  | 14       | 16       | CP3024        | CP3024G          | 28.20 x 22.20<br>716 x 564 | 28.50 x 22.50<br>724 x 572 | 2            | 5.00<br>127  |
| CSD36308LGEMC  | 36.00 x 30.00 x 8.00<br>914 x 762 x 203  | 14       | 14       | CP3630        | CP3630G          | 34.20 x 28.20<br>869 x 716 | 34.50 x 28.50<br>876 x 724 | 2            | 5.00<br>127  |
| CSD242412LGEMC | 24.00 x 24.00 x 12.00<br>610 x 610 x 305 | 14       | 16       | CP2424        | CP2424G          | 22.20 x 22.20<br>564 x 564 | 22.50 x 22.50<br>572 x 572 | 2            | 5.00<br>127  |
| CSD362412LGEMC | 36.00 x 24.00 x 12.00<br>914 x 610 x 305 | 14       | 16       | CP3624        | CP3624G          | 34.20 x 22.20<br>869 x 564 | 34.50 x 22.50<br>876 x 572 | 2            | 5.00<br>127  |

Purchase panels separately.

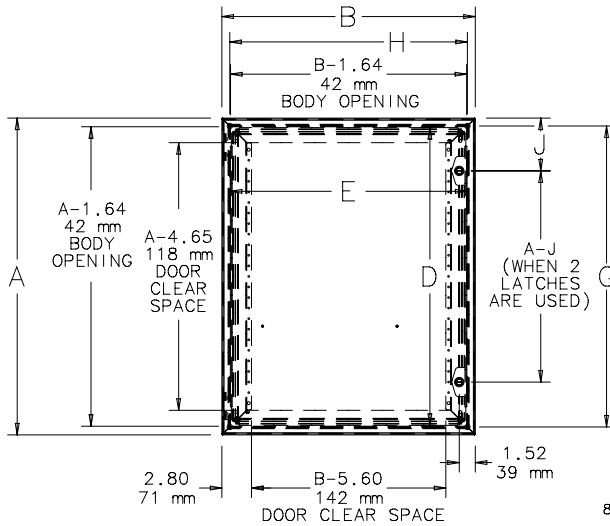
Enclosures with One Latch



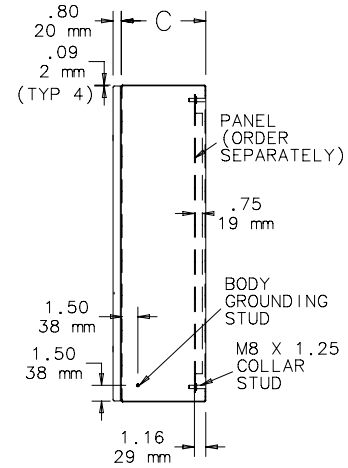
87794690



Enclosures with Two Latches



87745538



**CONCEPT Shielding Effectiveness**  
Standard CONCEPT Cabinet Compared to EMC Shielded CONCEPT Cabinet

