

Type MTE

Type MTE



Type MTE Transformers

Product Description

- Epoxy-encapsulated coils.

Application Description

Transformers provide stepped down voltages to machine tool control devices enabling control circuits to be isolated from all power and lighting circuits. This allows the use of grounded or ungrounded circuits that are independent of the power or lighting grounds; greater safety is afforded the operator. The control transformer line is particularly adaptable on applications where compact construction is demanded.

Note: The MTG, "open core-coil design" has been superseded by the epoxy-encapsulated core-coil design MTE with no change to dimensions or functionality.

Features, Benefits and Functions

- UL listed.
- CSA certified.
- Epoxy encapsulated.
- Laminations of high quality silicon steel to minimize core losses and optimize performance.
- Copper magnet wire for high quality, efficient operation.
- Secondary fuse clips where applicable.
- Optional primary fusing.
- Molded in terminals.
- 50/60 Hz operation.
- 55°C rise, 105°C insulation system.
- Performance meets/exceeds requirements of ANSI/NEMA ST-1.
- Regulation exceeds ANSI/NEMA requirements for all ratings.
- 25 – 1500 VA ratings.
- Molded-in terminals for maximum durability.

Standards and Certifications

Industry Standards

All Cutler-Hammer dry-type distribution and control transformers by Eaton Corporation are built and tested in accordance with applicable NEMA, ANSI, and IEEE Standards. All 600 volt class transformers are UL listed unless otherwise noted.

Options and Accessories

Primary Fuse Kit

The primary fuse kit includes a 2-pole class CC fuse block, instructions, and all associated mounting and wiring hardware. Fuses are not included. When installed, the primary fuse kit will add a maximum of 11/16 inch to the transformer depth and 1-15/16 inches to the transformer height.

Table 9-147. Primary Fuse Kit

Description	Catalog Number	Price U.S. \$
Primary Fuse Kit	PFK1	

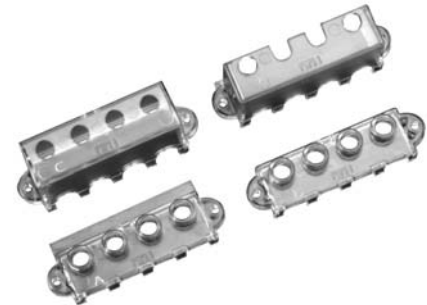
Note: 1000 VA and larger are Class 130°C Insulation System.

Finger-Safe Terminal Covers (Optional)

- Fits CE marked designs 50 – 750 VA.
- Fits MTE designs. 25 – 750 VA.

Table 9-148. Finger-Safe Terminal Covers

Description	Catalog Number	Price U.S. \$
4 Terminal Transformers	FSK4	
6 Terminal Transformers	FSK6	



Finger-Safe Terminal Covers — FSK4



Finger-Safe Terminal Covers — FSK6

Finger-Safe Primary Fuse Block Covers

- Fits 2-pole primary fuse blocks on MTE designs.

Table 9-149. Finger-Safe Primary Fuse Block Covers

Description	Catalog Number	Price U.S. \$
Primary Fuse Block Covers	FSKFB	



Finger-Safe Primary Fuse Block Covers

Discount Symbol DT-1

Product Specifications

Insulation System and Temperature Rise
Industry standards classify insulation systems and rise as shown below:

Table 9-150. Insulation System Classification

Ambient	+ Winding Rise	+ Hot Spot	= Temp. Class
40°C	55°C	10°C	105°C
40°C	80°C	30°C	150°C
40°C	115°C	30°C	185°C
40°C	150°C	30°C	220°C

The design life of transformers having different insulation systems is the same — the lower temperature systems are designed for the same life as the higher temperature systems.

Series-Multiple Windings

Series-multiple windings consist of 2 similar coils in each winding which can be connected in series or parallel (multiple). Transformers with series-multiple windings are designated with an "X" or "/" between the voltage ratings, such as voltages of "120/240" or "240 X 480." If the series-multiple winding is designated by an "X," the winding can be connected only for a series or parallel. With the "/" designation, a mid-point also becomes available in addition to the series or parallel connection. As an example, a 120 X 240 winding can be connected for either 120 (parallel) or 240 (series), but a 120/240 winding can be connected for 120 (parallel), or 240 (series), or 240 with a 120 mid-point.

Technical Data and Specifications

Please refer to **Page 9-149.**

Wiring Diagrams

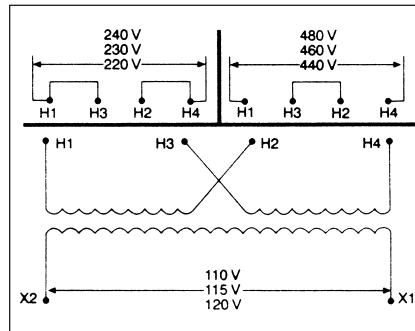


Figure 9-12. Diagram 1

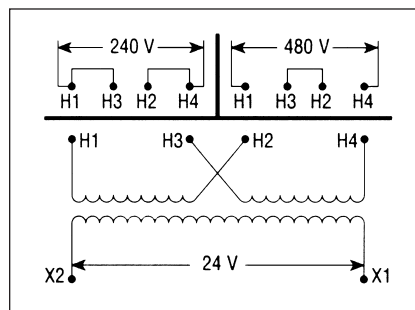


Figure 9-13. Diagram 2

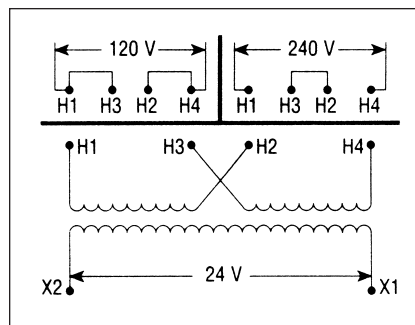


Figure 9-14. Diagram 3

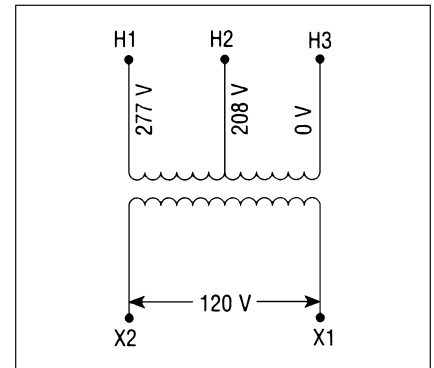


Figure 9-15. Diagram 4

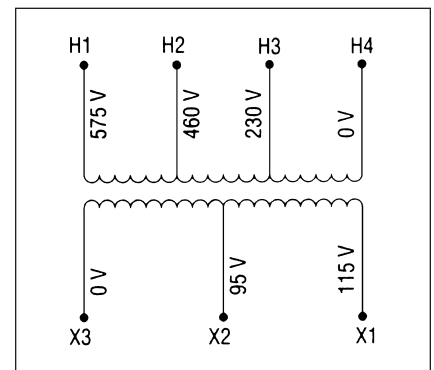


Figure 9-16. Diagram 5

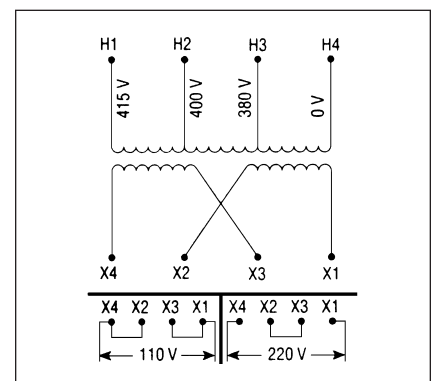


Figure 9-17. Diagram 6

Type MTE

Wiring Diagrams

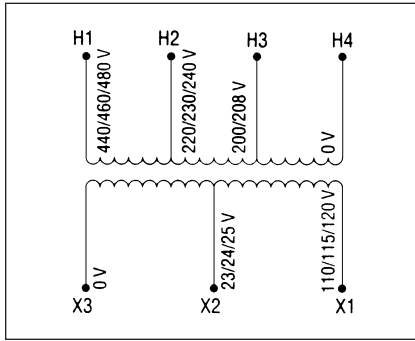


Figure 9-18. Diagram 7

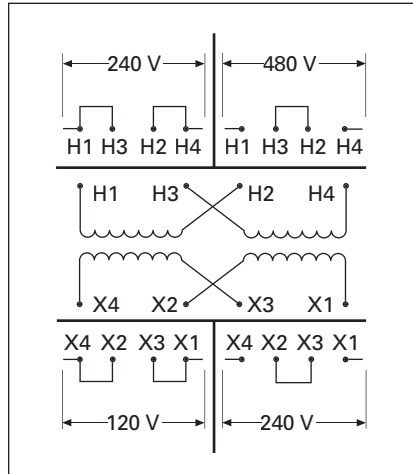


Figure 9-22. Diagram 11

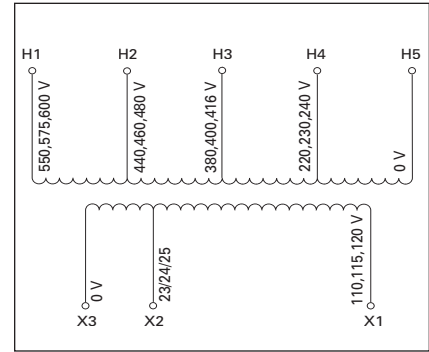


Figure 9-25. Diagram 14

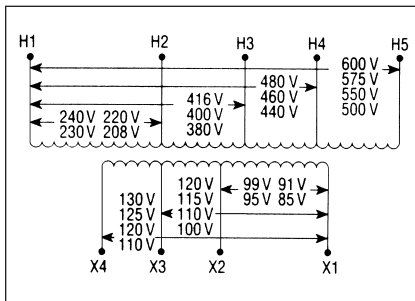


Figure 9-19. Diagram 8

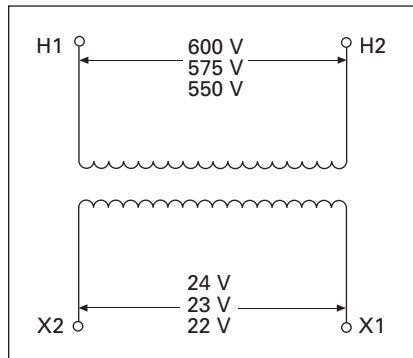


Figure 9-23. Diagram 12

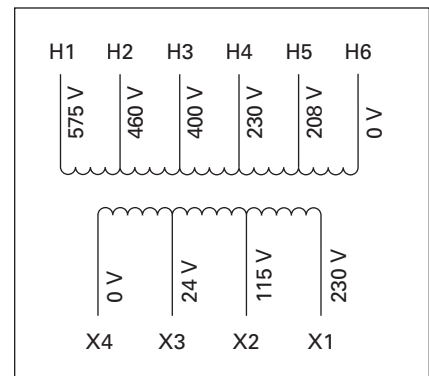


Figure 9-26. Diagram 15

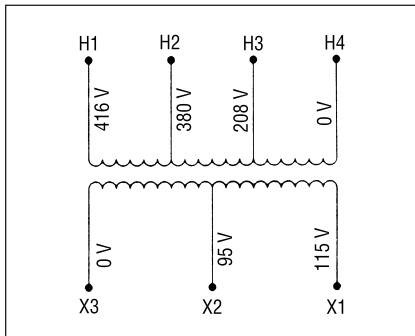


Figure 9-20. Diagram 9

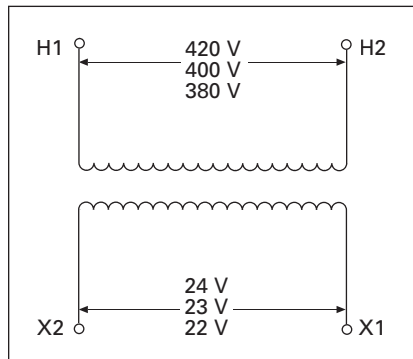


Figure 9-24. Diagram 13

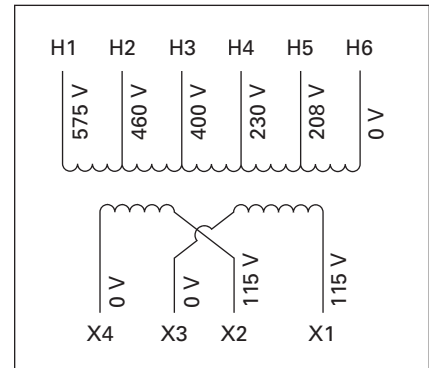


Figure 9-27. Diagram 16

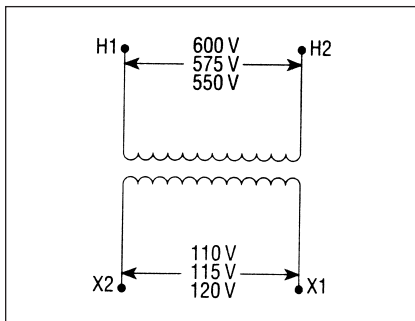


Figure 9-21. Diagram 10

Type MTE

Product Selection

Additional Product Selection information begins on **Page 9-164**.

Table 9-151. Type MTE — Product Selection

VA	Dimensions (Inches)			Weight Lbs.	Dimensions (mm)			Weight kg	Wiring Diagram ①	Style Number	Price U.S. \$
	Height	Width	Depth		Height	Width	Depth				
Primary: 240 x 480, 230 x 460, 220 x 440 with Jumpers											
Secondary: 120/115/110 with Fuse Clips for 13/32 x 1-1/2 Fuses											
25	2-9/16	3	2-1/2	1.7	65	76	64	.8	1	C0025E2A	
50	2-9/16	3	3	2.6	65	76	76	1.2	1	C0050E2A	
75	2-9/16	3	3-1/2	3.5	65	76	89	1.6	1	C0075E2A	
100	2-7/8	3-3/8	3-3/8	4.2	73	86	86	1.9	1	C0100E2A	
150	3-3/16	3-3/4	4	6.7	81	95	102	3.0	1	C0150E2A	
200	3-13/16	4-1/2	4	8.5	97	114	102	3.9	1	C0200E2A	
250	3-13/16	4-1/2	4-3/8	10.0	97	114	111	4.5	1	C0250E2A	
300	3-13/16	4-1/2	4-3/4	11.3	97	114	121	5.1	1	C0300E2A	
350	3-13/16	4-1/2	5-1/4	13.6	97	114	133	6.2	1	C0350E2A	
500	4-3/4	5-1/4	5-1/2	19.2	121	133	140	8.7	1	C0500E2A	
750	4-3/4	5-1/4	7	28.1	121	133	178	12.8	1	C0750E2A	
1000	5-11/16	6-3/4	6-7/16	29.5	144	171	164	13.4	1	C1000E2A	
1500	6-3/8	7-1/2	7-3/8	40.0	162	191	187	18.1	1	C1500E2A	

Primary: 240 x 480 with Jumpers

Secondary: 24 with Fuse Clips for 13/32 x 1-1/2 Fuses (through 500 VA)

50	2-9/16	3	3	2.7	65	76	76	1.2	2	C0050E2B	
75	2-9/16	3	3-1/2	3.5	65	76	89	1.6	2	C0075E2B	
100	2-7/8	3-3/8	3-3/8	4.2	73	86	86	1.9	2	C0100E2B	
150	3-3/16	3-3/4	4	6.7	81	95	102	3.0	2	C0150E2B	
200	3-13/16	4-1/2	4	8.5	97	114	102	3.9	2	C0200E2B	
250	3-13/16	4-1/2	4-3/8	10.1	97	114	111	4.6	2	C0250E2B	
300	3-13/16	4-1/2	4-3/4	11.4	97	114	121	5.2	2	C0300E2B	
350	3-13/16	4-1/2	5-1/4	13.4	97	114	133	6.1	2	C0350E2B	
500	4-3/4	5-1/4	5-5/8	17.5	121	133	143	7.9	2	C0500E2B	
750	4-3/4	5-1/4	7	28.1	121	133	178	12.8	2	C0750E2B	

Primary: 120 x 240 with Jumpers

Secondary: 24 with Fuse Clips for 13/32 x 1-1/2 Fuses

50	2-9/16	3	3	2.6	65	76	76	1.2	3	C0050E1B	
75	2-9/16	3	3-1/2	3.6	65	76	89	1.6	3	C0075E1B	
100	2-7/8	3-3/8	3-3/8	4.4	73	86	56	2.0	3	C0100E1B	
150	3-3/16	3-3/4	4	6.7	81	95	102	3.0	3	C0150E1B	
200	3-13/16	4-1/2	4	8.3	97	114	102	3.8	3	C0200E1B	
250	3-13/16	4-1/2	4-3/8	10.1	97	114	111	4.6	3	C0250E1B	
300	3-13/16	4-1/2	4-3/4	11.2	97	114	121	5.1	3	C0300E1B	
350	3-13/16	4-1/2	5-1/4	13.2	97	114	133	6.0	3	C0350E1B	
500	4-3/4	5-1/4	5-5/8	17.5	121	133	143	7.9	3	C0500E1B	

Primary: 208/277

Secondary: 120 with Fuse Clips for 13/32 x 1-1/2 Fuses

50	2-9/16	3	3	2.9	65	76	76	1.3	4	C0050E3A	
75	2-9/16	3	3-1/2	3.8	65	76	89	1.7	4	C0075E3A	
100	2-7/8	3-3/8	3-3/8	4.5	73	86	86	2.0	4	C0100E3A	
150	3-3/16	3-3/4	4	6.9	81	95	102	3.1	4	C0150E3A	
200	3-13/16	4-1/2	4	8.7	97	114	102	3.9	4	C0200E3A	
250	3-13/16	4-1/2	4-3/8	10.2	97	114	111	4.6	4	C0250E3A	
300	3-13/16	4-1/2	4-3/4	11.4	97	114	121	5.2	4	C0300E3A	
350	3-13/16	4-1/2	5-1/4	13.7	97	114	133	6.2	4	C0350E3A	
500	4-3/4	5-1/4	5-3/8	17.2	121	133	136	7.8	4	C0500E3A	
750	4-3/4	5-1/4	7	25.7	121	133	178	11.7	4	C0750E3A	

① See **Page 9-123** for Wiring Diagrams.

Note: For additional information, refer to the Cutler-Hammer Industrial Control Transformer Binder B1228A.

For other ratings or styles not shown, refer to Eaton.

Discount Symbol **DT-1**

Type MTE

Table 9-152. Type MTE — Product Selection

VA	Dimensions (Inches)			Weight Lbs.	Dimensions (mm)			Weight kg	Wiring Diagram ①	Style Number	Price U.S. \$
	Height	Width	Depth		Height	Width	Depth				

Primary: 240 x 480 with Jumpers

Secondary: 120 x 240 with Jumpers, Secondary Fuse Clips not Applicable

50	2-9/16	3	3	2.6	65	76	76	1.2	11	C0050E2CXX	
75	2-9/16	3	3-1/2	3.5	65	76	89	1.6	11	C0075E2CXX	
100	2-7/8	3-3/8	3-3/8	4.2	73	86	86	1.9	11	C0100E2CXX	
150	3-3/16	3-3/4	4	6.7	81	95	102	3.1	11	C0150E2CXX	
200	3-13/16	4-1/2	4	8.5	97	114	102	3.9	11	C0200E2CXX	
250	3-13/16	4-1/2	4-3/8	10.0	97	114	111	4.6	11	C0250E2CXX	
300	3-13/16	4-1/2	4-7/8	11.8	97	114	124	5.4	11	C0300E2CXX	
350	3-13/16	4-1/2	5-1/4	13.6	97	114	133	6.2	11	C0350E2CXX	
500	4-3/4	5-1/4	5-1/4	17.5	121	133	133	8.0	11	C0500E2CXX	
750	4-3/4	5-1/4	7	26.4	121	133	178	12.0	11	C0750E2CXX	

Primary: 550/575/600

Secondary: 110/115/120 with for 13/32 x 1-1/2 Fuses

50	2-9/16	3	3	2.7	65	76	76	1.2	10	C0050E4C	
75	2-9/16	3	3-1/2	3.6	65	76	89	1.6	10	C0075E4C	
100	2-7/8	3-3/8	3-3/8	4.2	73	86	86	1.9	10	C0100E4C	
150	3-3/16	3-3/4	4	6.8	81	95	102	3.1	10	C0150E4C	
200	3-13/16	4-1/2	4	8.4	97	114	102	3.8	10	C0200E4C	
250	3-13/16	4-1/2	4-3/8	10.0	97	114	111	4.6	10	C0250E4C	
300	3-13/16	4-1/2	4-3/4	11.3	97	114	121	5.1	10	C0300E4C	
350	3-13/16	4-1/2	5-1/4	13.6	97	114	133	6.2	10	C0350E4C	
500	4-3/4	5-1/4	5-3/8	16.8	121	133	137	7.6	10	C0500E4C	
750	4-3/4	5-1/4	7	25.7	121	133	178	11.7	10	C0750E4C	

Primary: 380/400/415

Secondary: 22/23/24 with Fuse Clips for 13/32 x 1-1/2 Fuses

50	2-9/16	3	3	2.5	65	76	76	1.1	13	C0050E4H	
75	2-9/16	3	3-1/2	3.5	65	76	89	1.6	13	C0075E4H	
100	2-7/8	3-3/8	3-3/8	4.0	73	86	86	1.8	13	C0100E4H	
150	3-3/16	3-3/4	4	6.5	81	95	102	3.0	13	C0150E4H	
200	3-13/16	4-1/2	4	8.2	97	114	102	3.7	13	C0200E4H	
250	3-13/16	4-1/2	4-3/8	10.0	97	114	111	4.5	13	C0250E4H	
300	3-13/16	4-1/2	4-3/4	11.0	97	114	121	5.0	13	C0300E4H	
350	3-13/16	4-1/2	5-1/4	13.6	97	114	133	6.2	13	C0350E4H	
500	4-3/4	5-1/4	5-1/2	17.7	121	133	140	8.0	13	C0500E4H	

Primary: 550/575/600

Secondary: 22/23/24 with Fuse Clips for 13/32 x 1-1/2 Fuses

50	2-9/16	3	3	2.5	65	76	76	1.1	12	C0050E4W	
75	2-9/16	3	3-1/2	3.5	65	76	89	1.6	12	C0075E4W	
100	2-7/8	3-3/8	3 3/8	4.0	73	86	86	1.8	12	C0100E4W	
150	3-3/16	3-3/4	4	6.5	81	95	102	3.0	12	C0150E4W	
200	3-13/16	4-1/2	4	8.2	97	114	102	3.7	12	C0200E4W	
250	3-13/16	4-1/2	4-3/8	10.0	97	114	111	4.5	12	C0250E4W	
300	3-13/16	4-1/2	4-3/4	11.0	97	114	121	5.0	12	C0300E4W	
350	3-13/16	4-1/2	5-1/4	13.6	97	114	133	6.2	12	C0350E4W	
500	4-3/4	5-1/4	5-1/2	17.7	121	133	140	8.0	12	C0500E4W	
750	4-1/2	5-1/4	7-3/8	28.0	114	133	187	12.7	12	C0750E4WXX ②	

① See Page 9-124 for Wiring Diagrams.

② Secondary fuse clips are not available on this catalog number.

Note: For additional information, refer to the Cutler-Hammer Industrial Control Transformer Binder B1228A.

For other ratings or styles not shown, refer to Eaton.

Discount Symbol DT-1

Type MTE

Table 9-153. Types MTE — Product Selection

VA	Dimensions (Inches)			Weight Lbs.	Dimensions (mm)			Weight kg	Wiring Diagram ①	Style Number	Price U.S. \$
	Height	Width	Depth		Height	Width	Depth				
Primary: 230/460/575											
Secondary: 115/95 with Fuse Clips for 13/32 x 1-1/2 Fuses											
50	2-9/16	3	3	3.5	65	76	76	1.6	5	C0050E3C	
75	2-7/8	3-3/8	3-3/8	4.5	73	86	86	2.0	5	C0075E3C	
100	2-7/8	3-3/8	3-7/8	6.0	73	86	98	2.7	5	C0100E3C	
150	3-3/16	3-3/4	4-1/4	7.7	81	95	108	3.5	5	C0150E3C	
200	3-13/16	4-1/2	4-1/4	9.0	97	114	108	4.1	5	C0200E3C	
250	3-13/16	4-1/2	4-3/4	9.7	97	114	121	4.4	5	C0250E3C	
300	3-13/16	4-1/2	5-1/8	11.7	97	114	130	5.3	5	C0300E3C	
350	4-3/4	5-1/4	5	16.5	121	133	127	7.5	5	C0350E3C	
500	4-3/4	5-1/4	5-5/8	21.5	121	133	143	9.8	5	C0500E3C	
750	4-3/4	5-1/4	7	28.0	121	133	178	12.7	5	C0750E3C	

Primary: 380/400/415
Secondary: 110 x 220 with Jumpers; Fuse Clips not Applicable

50	2-9/16	3	3	3.0	65	76	76	1.4	6	C0050E4D	
75	2-9/16	3	3-1/2	4.0	65	76	89	1.8	6	C0075E4D	
100	2-7/8	3-3/8	3-9/16	5.2	73	86	90	2.4	6	C0100E4D	
150	3-3/16	3-3/4	4	7.0	81	95	102	3.2	6	C0150E4D	
200	3-13/16	4-1/2	4	8.7	97	114	102	3.9	6	C0200E4D	
250	3-13/16	4-1/2	4-3/8	10.2	97	114	111	4.6	6	C0250E4D	
300	3-13/16	4-1/2	4-3/4	11.0	97	114	121	5.0	6	C0300E4D	
350	3-13/16	4-1/2	5-1/4	13.0	97	114	133	5.9	6	C0350E4D	
500	4-3/4	5-1/4	5-3/8	20.0	121	133	136	9.1	6	C0500E4D	
750	4-3/4	5-1/4	7	28.0	121	133	178	12.7	6	C0750E4D	

Primary: 200/220/440, 208/230/460, 240/480
Secondary: 23/110, 24/115, 25/120 with Fuse Clips for 13/32 x 1-1/2 Fuses

50	2-9/16	3	3-1/4	3.4	65	76	83	1.5	7	C0050E5E	
75	2-7/8	3-3/8	3-1/2	4.8	73	86	89	2.2	7	C0075E5E	
100	3-3/16	3-3/4	5-5/8	5.9	81	95	143	2.7	7	C0100E5E	
150	3-3/16	3-3/4	4-3/8	7.9	81	95	111	3.6	7	C0150E5E	
200	3-13/16	4-1/2	4-1/2	10.6	97	114	114	4.8	7	C0200E5E	
250	3-13/16	4-1/2	5-1/4	13.9	97	114	133	6.3	7	C0250E5E	
300	4-3/4	5-1/4	5-1/8	15.5	121	133	130	7.0	7	C0300E5E	
350	4-3/4	5-1/4	5-3/8	16.8	121	133	136	7.6	7	C0350E5E	
500	4-3/4	5-1/4	6-7/8	23.4	121	133	175	10.6	7	C0500E5E	

Universal Design (MTE Epoxy Encapsulated)
Primary: 240/416/480/600, 230/400/460/575, 220/380/440/550, 208/500
Secondary: 99/120/130, 95/115/125, 91/110/120, 85/100/110 with Fuse Clips for 13/32 x 1-1/2 Fuses

50	2-7/8	3-3/8	4	4.0	73	86	102	1.8	8	C0050E6U ②	
100	3-3/16	3-3/4	4-5/8	6.6	81	95	117	3.0	8	C0100E6U ②	
150	3-13/16	4-1/2	4-7/16	8.8	97	114	113	4.0	8	C0150E6U ③	
250	3-13/16	4-1/2	5-7/8	14.7	97	114	149	6.7	8	C0250E6U ③	
350	4-7/16	5-1/4	5-5/8	18.6	113	133	143	8.4	8	C0350E6U ③	
500	4-7/16	5-1/4	7	25.6	113	133	178	11.6	8	C0500E6U ③	
750	5-3/4	6-3/4	5-11/16	30.5	146	171	144	13.8	8	C0750E6U ③	

① See Pages 9-123 and 9-124 for Wiring Diagrams.

② Type MTG Open Core-Coil Universal Design has been superseded by Type MTE Epoxy Encapsulated Universal Design with no changes to form, fit or function.

③ Type MTE Epoxy Encapsulated Universal Design.

Note: For additional information, refer to the Cutler-Hammer Industrial Control Transformer Binder B1228A.

For other ratings or styles not shown, refer to Eaton.

Discount Symbol DT-1

Type MTE

Table 9-154. Transformers with Primary Fuse Blocks — Product Selection

VA	Dimensions (Inches)			Weight Lbs.	Dimensions (mm)			Weight kg	Wiring Diagram ①	Style Number	Price U.S. \$
	Height	Width	Depth		Height	Width	Depth				

Primary: 240 x 480, 230 x 460, 220 x 440 with Jumpers and Two-Pole Primary Fuse Block for Rejection Type Fuses
Secondary: 120/115/110 with Fuse Clips for 13/32 x 1-1/2 Fuses

50	3-15/16	3	3	2.8	100	76	76	1.3	1	C0050E2AFB	
75	3-15/16	3	3-1/2	3.7	100	76	89	1.7	1	C0075E2AFB	
100	4-1/4	3-3/8	3-3/8	4.4	108	86	86	2.0	1	C0100E2AFB	
150	4-9/16	3-3/4	4	6.9	116	95	102	3.1	1	C0150E2AFB	
200	5-3/16	4-1/2	4	8.7	132	114	102	3.9	1	C0200E2AFB	
250	5-3/16	4-1/2	4-3/8	10.2	132	114	111	4.6	1	C0250E2AFB	
300	5-3/16	4-1/2	4-3/4	11.5	132	114	121	5.2	1	C0300E2AFB	
350	5-3/16	4-1/2	5-1/4	13.8	132	114	133	6.3	1	C0350E2AFB	
500	6-1/8	5-1/4	5-1/2	19.4	156	133	140	8.8	1	C0500E2AFB	
750	6-1/8	5-1/4	7	28.3	156	133	178	12.8	1	C0750E2AFB	
1000	7-1/16	6-3/4	6-7/16	29.7	179	171	164	13.4	1	C1000E2AFB	
1500	7-3/4	7-1/2	7-3/8	40.2	197	191	187	18.1	1	C1500E2AFB	

Primary: 240 x 480 with Jumpers and Two-Pole Primary Fuse Block for Rejection Type Fuses
Secondary: 24 with Fuse Clips for 13/32 x 1-1/2 Fuses

50	3-15/16	3	3	2.8	100	76	76	1.3	2	C0050E2BFB	
75	3-15/16	3	3-1/2	3.8	100	76	89	1.7	2	C0075E2BFB	
100	4-1/4	3-3/8	3-3/8	4.4	108	86	86	2.1	2	C0100E2BFB	
150	4-9/16	3-3/4	4	6.9	116	95	102	3.1	2	C0150E2BFB	
200	5-3/16	4-1/2	4	8.7	132	114	102	3.9	2	C0200E2BFB	
250	5-3/16	4-1/2	4-3/8	10.3	132	114	111	4.7	2	C0250E2BFB	
300	5-3/16	4-1/2	4-3/4	11.6	132	114	121	5.3	2	C0300E2BFB	
350	5-3/16	4-1/2	5-1/4	13.6	132	114	133	6.2	2	C0350E2BFB	
500	6-1/8	5-1/4	5-5/8	17.7	156	133	143	8.0	2	C0500E2BFB	

Primary: 120 x 240 with Jumpers and Two-Pole Primary Fuse Block for Rejection Type Fuses
Secondary: 24 with Fuse Clips for 13/32 x 1-1/2 Fuses

50	3-15/16	3	3	2.8	100	76	76	1.3	3	C0050E1BFB	
75	3-15/16	3	3 1/2	3.8	100	76	89	1.7	3	C0075E1BFB	
100	4-1/4	3-3/8	3 3/8	4.6	108	86	86	2.1	3	C0100E1BFB	
150	4-9/16	3-3/4	4	6.9	116	95	102	3.1	3	C0150E1BFB	
200	5-3/16	4-1/2	4	8.5	132	114	102	3.9	3	C0200E1BFB	
250	5-3/16	4-1/2	4 3/8	10.3	132	114	111	4.7	3	C0250E1BFB	
300	5-3/16	4-1/2	4 3/4	11.4	132	114	121	5.2	3	C0300E1BFB	
350	5-3/16	4-1/2	5 1/4	13.4	132	114	133	6.1	3	C0350E1BFB	
500	6-1/8	5-1/4	5 5/8	17.7	156	133	143	8.0	3	C0500E1BFB	

Primary: 208/277 with Two-Pole Primary Fuse Block for Rejection Type Fuses
Secondary: 120 with Fuse Clips for 13/32 x 1-1/2 Fuses

50	3-15/16	3	3	3.1	100	76	76	1.4	4	C0050E3AFB	
75	3-15/16	3	3-1/2	4.0	100	76	89	1.8	4	C0075E3AFB	
100	4-1/4	3-3/8	3-3/8	4.7	108	86	86	2.1	4	C0100E3AFB	
150	4-9/16	3-3/4	4	7.1	116	95	102	3.2	4	C0150E3AFB	
200	5-3/16	4-1/2	4	8.9	132	114	102	4.0	4	C0200E3AFB	
250	5-3/16	4-1/2	4-3/8	10.4	132	114	111	4.7	4	C0250E3AFB	
300	5-3/16	4-1/2	4-3/4	11.6	132	114	121	5.3	4	C0300E3AFB	
350	5-3/16	4-1/2	5-1/4	13.9	132	114	133	6.3	4	C0350E3AFB	
500	6-1/8	5-1/4	5-3/8	17.4	156	133	143	7.9	4	C0500E3AFB	

① See Page 9-123 for Wiring Diagrams.

Note: For additional information, refer to the Cutler-Hammer Industrial Control Transformer Binder B1228A.

For other ratings or styles not shown, refer to Eaton.

Discount Symbol DT-1

Type MTE

Table 9-155. Transformers with Primary Fuse Blocks — Product Selection

VA	Dimensions (Inches)			Weight Lbs.	Dimensions (mm)			Weight kg	Wiring Diagram ①	Style Number	Price U.S. \$
	Height	Width	Depth		Height	Width	Depth				

Primary: 550/575/600 with Two-Pole Primary Fuse Block for Rejection Type Fuses

Secondary: 110/115/120 with Fuse Clips for 13/32 x 1-1/2 Fuses

50	3-15/16	3	3	2.9	100	76	76	1.3	10	C0050E4CFB	
75	3-15/16	3	3-1/2	3.8	100	76	89	1.7	10	C0075E4CFB	
100	4-1/4	3-3/8	3 3/8	4.4	108	86	86	2.0	10	C0100E4CFB	
150	4-9/16	3-3/4	4	7.0	116	95	102	3.2	10	C0150E4CFB	
200	5-3/16	4-1/2	4	8.6	132	114	102	3.9	10	C0200E4CFB	
250	5-3/16	4-1/2	4 3/8	10.2	132	114	111	4.6	10	C0250E4CFB	
300	5-3/16	4-1/2	4 3/4	11.5	132	114	121	5.2	10	C0300E4CFB	
350	5-3/16	4-1/2	5 1/4	13.8	132	114	133	6.3	10	C0350E4CFB	
500	6-1/8	5-1/4	5 3/8	17.0	156	133	137	7.7	10	C0500E4CFB	
750	6-1/8	5-1/4	7	25.9	156	133	178	11.8	10	C0750E4CFB	

Primary: 380/400/415 with Two-Pole Primary Fuse Block for Rejection Type Fuses

Secondary: 22/23/24 with Fuse Clips for 13/32 x 1-1/2 Fuses

50	2-9/16	3	3	2.6	65	76	76	1.2	13	C0050E4HFB	
75	2-9/16	3	3-1/2	3.7	65	76	89	1.7	13	C0075E4HFB	
100	2-7/8	3-3/8	3-3/8	4.2	73	86	86	1.9	13	C0100E4HFB	
150	3-3/16	3-3/4	4	6.7	81	95	102	3.0	13	C0150E4HFB	
200	3-13/16	4-1/2	4	8.4	97	114	102	3.8	13	C0200E4HFB	
250	3-13/16	4-1/2	4-3/8	10.2	97	114	111	4.6	13	C0250E4HFB	

Primary: 550/575/600 with Two-Pole Primary Fuse Block for Rejection Type Fuses

Secondary: 22/23/24 with Fuse Clips for 13/32 x 1-1/2 Fuses

50	2-9/16	3	3	2.7	65	76	76	1.2	12	C0050E4WFB	
75	2-9/16	3	3-1/2	3.7	65	76	89	1.7	12	C0075E4WFB	
100	2-7/8	3-3/8	3-3/8	4.2	73	86	86	1.9	12	C0100E4WFB	
150	3-3/16	3-3/4	4	6.7	81	95	102	3.0	12	C0150E4WFB	
200	3-13/16	4-1/2	4	8.4	97	114	102	3.8	12	C0200E4WFB	
250	3-13/16	4-1/2	4-3/8	10.2	97	114	111	4.6	12	C0250E4WFB	

① See Page 9-124 for Wiring Diagrams.

Note: For additional information, refer to the Cutler-Hammer Industrial Control Transformer Binder B1228A.

For other ratings or styles not shown, refer to Eaton.

Discount Symbol DT-1

Type MTE

Table 9-156. Transformers with Primary Fuse Blocks — Product Selection

VA	Dimensions (Inches)			Weight Lbs.	Dimensions (mm)			Weight kg	Wiring Diagram ①	Style Number	Price U.S. \$
	Height	Width	Depth		Height	Width	Depth				

Primary: 230/460/575 with Two-Pole Primary Fuse Block for Rejection Type Fuses
Secondary: 115/95 with Fuse Clips for 13/32 x 1-1/2 Fuses

50	3-13/16	3	3	3.7	97	76	76	1.7	5	C0050E3CFB	
75	4-1/4	3-3/8	3-3/8	4.7	108	86	86	2.1	5	C0075E3CFB	
100	4-1/4	3-3/8	3-7/8	6.2	108	86	98	2.8	5	C0100E3CFB	
150	4-9/16	3-3/4	4-1/4	7.9	116	95	108	3.6	5	C0150E3CFB	
200	5-3/16	4-1/2	4-1/4	9.2	132	114	108	4.2	5	C0200E3CFB	
250	5-3/16	4-1/2	4-3/4	9.9	132	114	121	4.5	5	C0250E3CFB	
300	5-3/16	4-1/2	5-1/8	11.9	132	114	130	5.4	5	C0300E3CFB	
350	6-1/8	5-1/4	5	16.7	156	133	127	7.6	5	C0350E3CFB	
500	6-1/8	5-1/4	5-7/8	21.7	156	133	149	9.9	5	C0500E3CFB	

Primary: 380/400/415 with Two-Pole Primary Fuse Block for Rejection Type Fuses
Secondary: 110 x 220 with Jumpers; Fuse Clips Not Available

50	3-15/16	3	3	3.2	100	76	76	1.5	6	C0050E4DFB	
75	3-15/16	3	3-1/2	4.2	100	76	89	1.9	6	C0075E4DFB	
100	4-1/4	3-3/8	3-9/16	5.4	108	86	90	2.5	6	C0100E4DFB	
150	4-9/16	3-3/4	4	7.2	116	95	102	3.3	6	C0150E4DFB	
200	5-3/16	4-1/2	4	8.9	132	114	102	4.0	6	C0200E4DFB	
250	5-3/16	4-1/2	4-3/8	10.4	132	114	111	4.7	6	C0250E4DFB	
300	5-3/16	4-1/2	4-3/4	11.2	132	114	121	5.1	6	C0300E4DFB	
350	5-3/16	4-1/2	5-1/4	13.2	132	114	133	6.0	6	C0350E4DFB	
500	6-1/8	5-1/4	5-5/8	20.2	156	133	143	9.2	6	C0500E4DFB	

Primary: 200/220/440, 208/230/460, 240/480 with Two-Pole Primary Fuse Block for Rejection Type Fuses
Secondary: 23/110, 24/115, 25/120 with Fuse Clips for 13/32 x 1-1/2 Fuses

50	3-15/16	3	3-1/4	3.6	100	76	83	1.6	7	C0050E5EFB	
75	4-1/4	3-3/8	3-1/2	5.0	108	86	89	2.3	7	C0075E5EFB	
100	4-9/16	3-3/4	3-5/8	6.1	116	95	92	2.8	7	C0100E5EFB	
150	4-9/16	3-3/4	4-3/8	8.1	116	95	111	3.7	7	C0150E5EFB	
200	5-3/16	4-1/2	4-1/2	10.8	132	114	114	4.9	7	C0200E5EFB	
250	5-3/16	4-1/2	5-1/4	14.1	132	114	133	6.4	7	C0250E5EFB	
300	6-1/8	5-1/4	5-1/8	15.7	156	133	130	7.1	7	C0300E5EFB	
350	6-1/8	5-1/4	5-3/8	17.0	156	133	136	7.7	7	C0350E5EFB	
500	6-1/8	5-1/4	6-7/8	23.6	156	133	175	10.7	7	C0500E5EFB	

Universal Design (MTE Epoxy Encapsulated)

Primary: 240/416/480/600, 230/400/460/575, 220/380/440/550, 208/500 with Two-Pole Primary Fuse Block for Rejection Type Fuses
Secondary: 99/120/130, 95/115/125, 91/110/120, 85/100/110 with Fuse Clips for 13/32 x 1-1/2 Fuses

50	4-1/4	3-3/8	4	4.2	108	86	102	1.9	8	C0050E6UFB ②	
100	4-9/16	3-3/4	4-5/8	6.8	116	95	117	3.1	8	C0100E6UFB ②	
150	5-3/16	4-1/2	4-7/16	9.0	132	114	113	4.1	8	C0150E6UFB ③	
250	5-3/16	4-1/2	5-7/8	14.9	132	114	149	6.8	8	C0250E6UFB ③	
350	5-13/16	5-1/4	5-5/8	18.8	148	133	143	8.5	8	C0350E6UFB ③	
500	5-13/16	5-1/4	7	25.8	148	133	178	11.7	8	C0500E6UFB ③	

① See Pages 9-123 and 9-124 for Wiring Diagrams.

② Type MTG Open Core-Coil Universal Design has been superseded by Type MTE Epoxy Encapsulated Universal Design with no changes to form, fit or function.

③ Type MTE Epoxy Encapsulated Universal Design.

Note: For additional information, refer to the Cutler-Hammer Industrial Control Transformer Binder B1228A.

For other ratings or styles not shown, refer to Eaton.

Discount Symbol DT-1