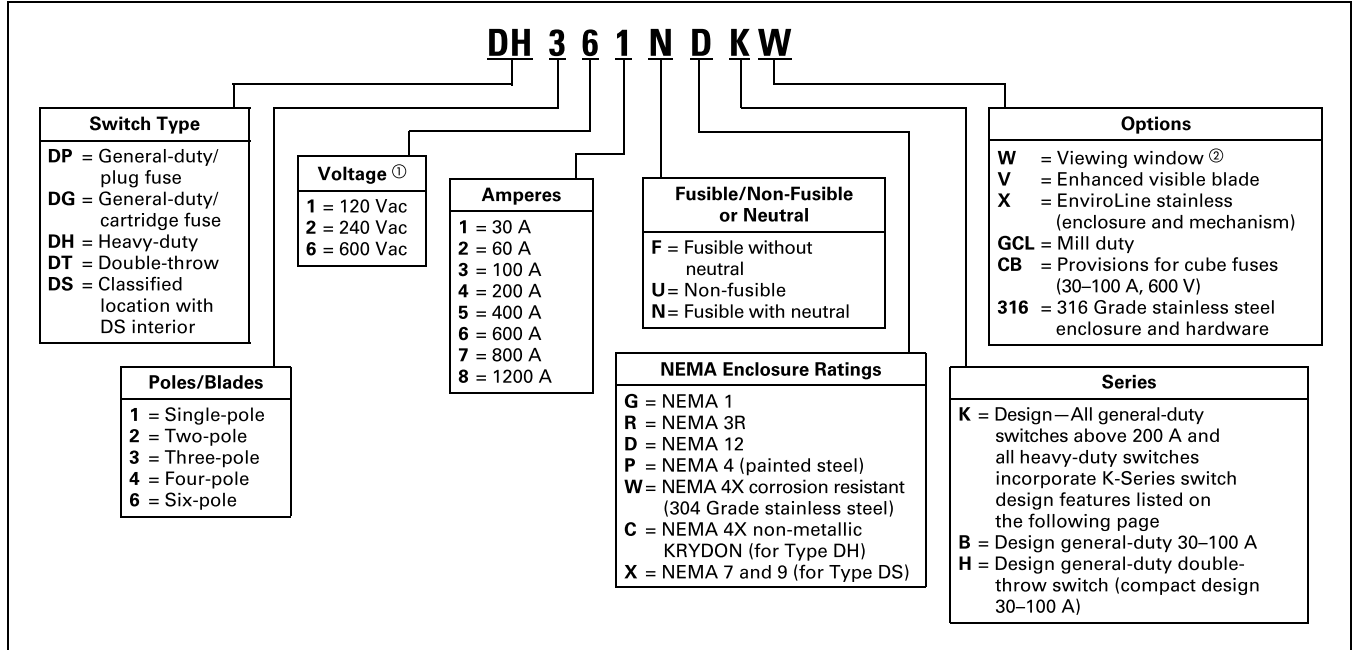


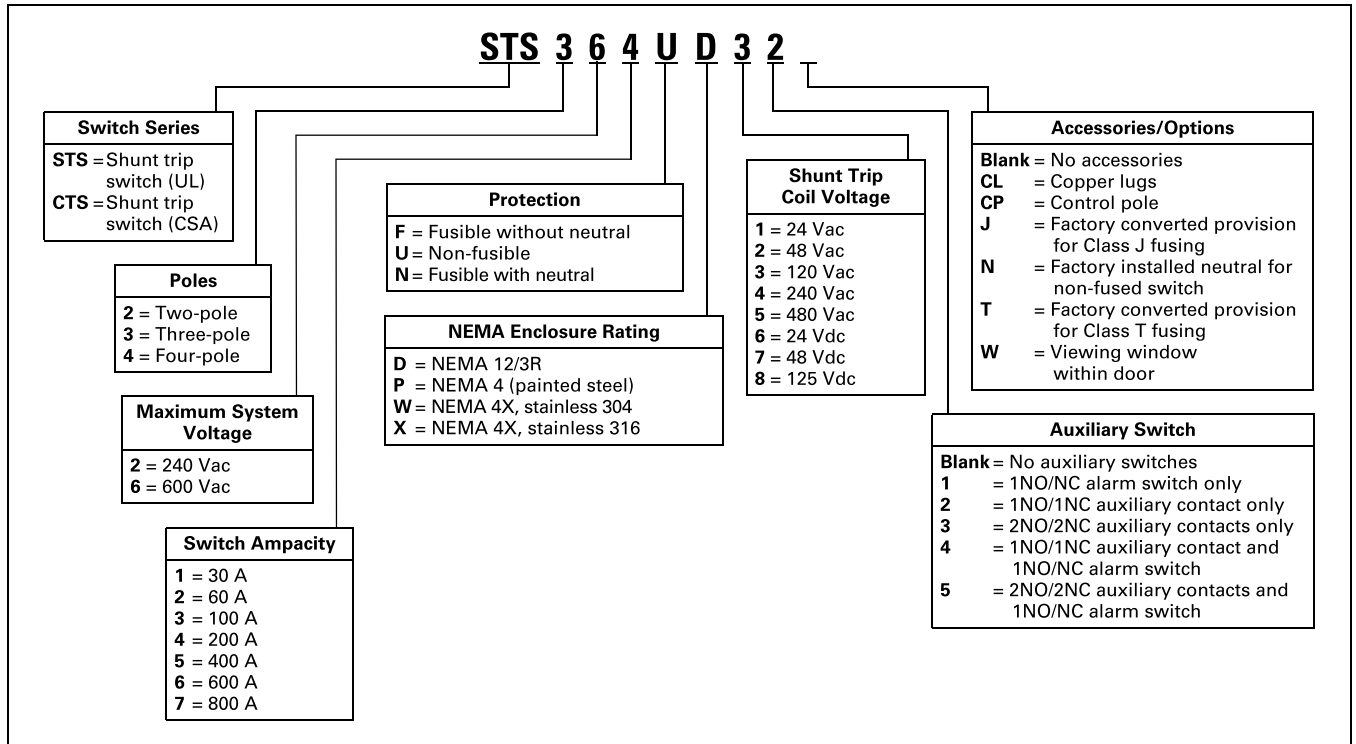
Catalog Numbering System

Table 28.0-5. Safety Switch Catalog Numbering System



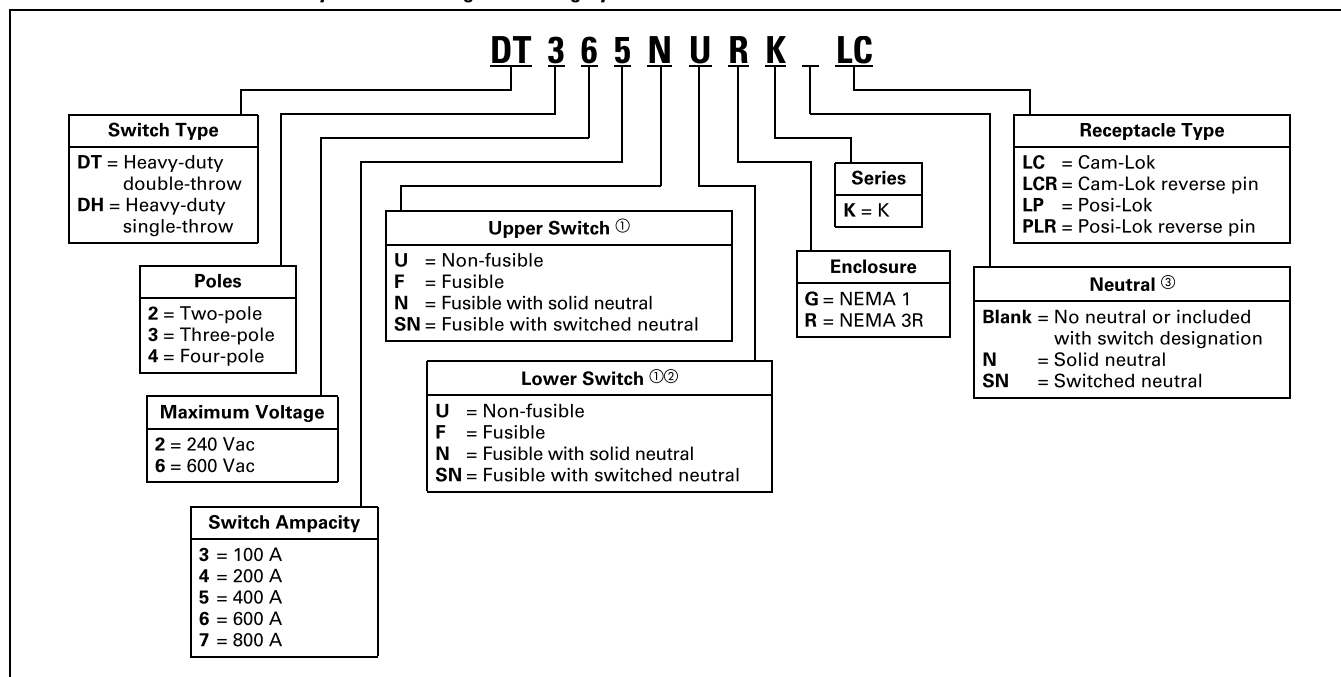
① For DC ratings, check individual switch ratings.
② All window switches feature enhanced visible blade design as standard.

Table 28.0-6. Shunt Trip Safety Switch Catalog Numbering System



General Description—Catalog Numbering System

Table 28.0-7. Quick-Connect Safety Switch Catalog Numbering System

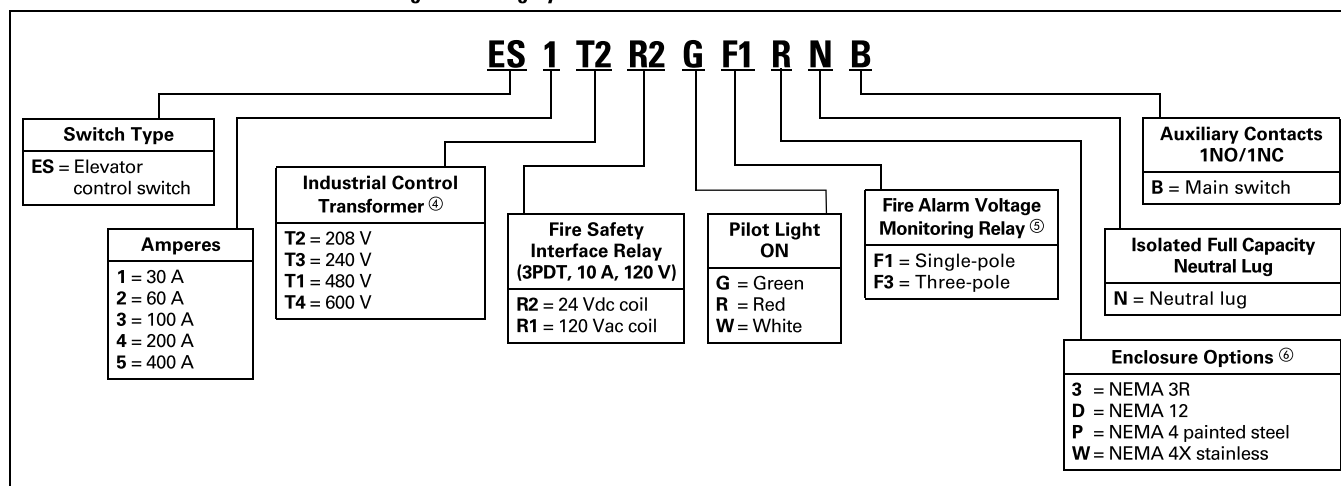


① When upper and lower switches are the same, the switch configuration is consolidated in one letter (e.g., "U" not "UU"). Also, a switch with a neutral will have either a solid neutral or a switched neutral, not both. Lastly, a switched neutral pole is never fused.

② Heavy-duty single-throw switches will not have a lower switch option.

③ This field is only used when a switch is completely non-fused.

Table 28.0-8. Elevator Control Switch Catalog Numbering System



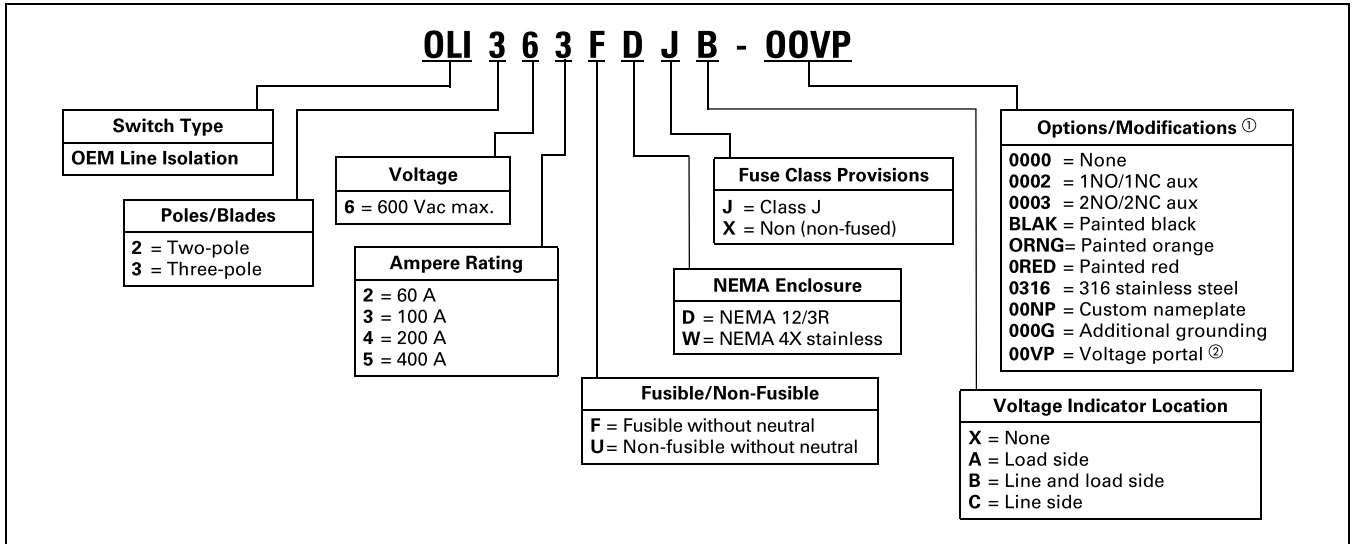
④ 100 VA with primary and secondary fusing (120 V secondary).

⑤ To monitor shunt trip voltage.

⑥ NEMA 1 standard with no suffix designation required.

Note: All modules are three-pole, 600 V and contain a key to test switch and mechanically interlocked auxiliary contact as standard.

Table 28.0-9. OEM Line Isolation Switch Catalog Numbering System



① More combinations and options are available.
② One voltage portal for each voltage indicator specified.

Table 28.0-10. Auxiliary Power Heavy-Duty Safety Switch Catalog Numbering System

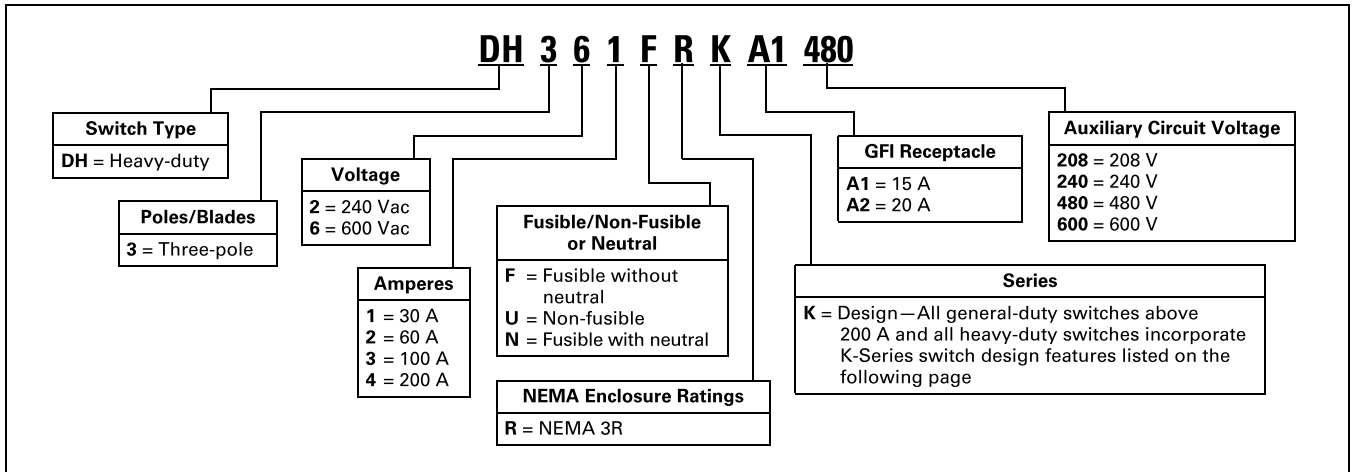
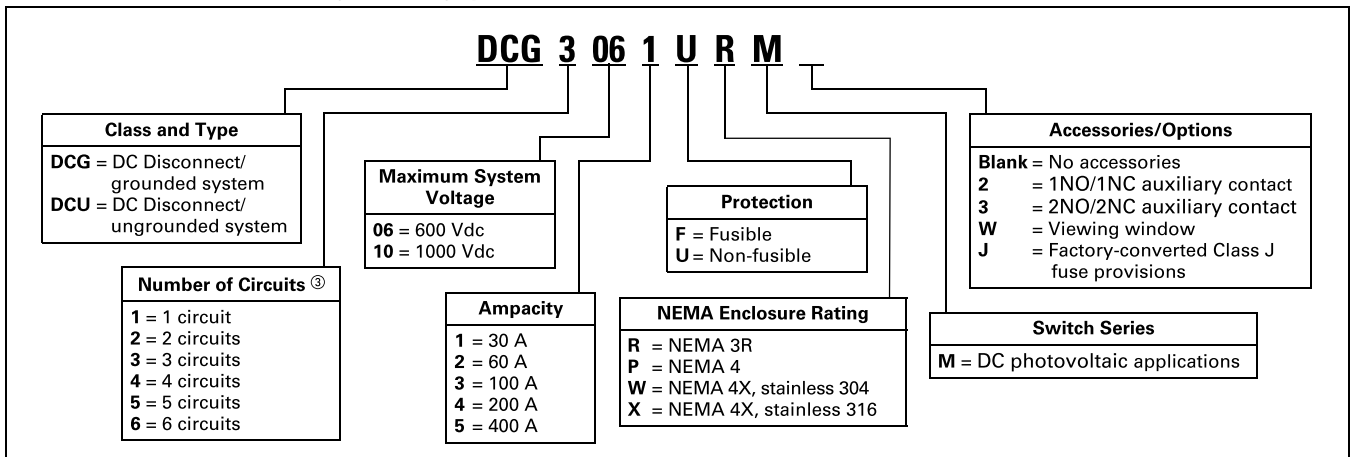


Table 28.0-11. DC Disconnect Catalog Numbering System



③ Not all configurations for ampere rating and number of circuits are available. All circuit configurations can be found in the product dimension tables.