

Non-RF accessory switch (no neutral required version)

Project Name:	Prepared By:
Project Number:	Date:
Catalog Number:	Type:

Description

3-way or up to 3 locations
120V/AC, 60Hz

Design features for Non-RF accessory switch (no neutral required)

- Compatible with Aspire RF master switch (RF9518) for 3-way, multi-location control using traditional 3-way wiring or dedicated traveller wires (up to 3 locations)
- Cannot use association function, as this is a non-RF device - use traveller wires for 3-way application
- Neutral wire is not required for installation of device
- Decorator and designer series products offer the same functionality with two distinct styles
- Electro-mechanical push pad for ON/OFF operation
- Blue LED at center right indicates ON/OFF load status



RF9520AW
Designer series



RF9520DW
Decorator series

Table 1. Non-RF accessory switch (no neutral required)

Catalog No.	Description	Designer Color Suffix	Decorator Color Suffix
□ RF9520_	Non-RF accessory switch compatible only with non-neutral RF switch (RF9518)	AW, DS, SG, WS	DBK, DLA, DW

Compliances, specifications and availability are subject to change without notice.



Powering Business Worldwide

Project Name:	Prepared By:
Project Number:	Date:
Catalog Number:	Type:

Applications for Non-RF accessory switch (no neutral required)

The Aspire RF accessory switch replaces regular switches or dimmers to provide local ON/OFF control. The device provides 3-way or multi-location ON/OFF control with the use of traditional 3-way wiring. The Aspire RF switch utilizes existing 120V/AC 60Hz standard house wiring and fits in a standard-sized wallbox. No neutral wire required. No new wiring needed.

Table 2. Specifications

Catalog No.	Non-RF accessory switch RF9520
Performance	Rating: 120V/AC, 60Hz
Installation & Programming	Please reference the Instruction Sheet included with the product for wiring installation. For programming of the device, see the Aspire RF User Manual, which is provided with either the handheld (RFHDCSG) or tabletop (RFTDCSG) controllers and are also accessible online at www.cooperwiringdevices.com/AspireRF
Testing & Code Compliance	cULus Listed 6B28. NOM Certified.
Terminations	Switch has three 6" pre-stripped wire leads for line, traveller and ground
Material Characteristics	Flammability: Meets UL94 requirements; V2 rated Temperature Rating: 32°F to 104°F (0°C to 40°C)
Warranty	2-year limited product warranty

Table 3. Color Ordering Information

For ordering devices, include Catalog No. followed by the Color Suffix: AW (Alpine White), DS (Desert Sand), Silver Granite (SG), WS (White Satin), DBK (Decorator Black), DLA (Decorator Light Almond), DW (Decorator White).

Designer series color options:

AW	AW	DS	DS	SG	SG	WS	WS
Alpine White		Desert Sand		Silver Granite		White Satin	

Decorator series color options:

DBK	DLA	DW
Decorator Black	Decorator Light Almond	Decorator White

Project Name:	Prepared By:
Project Number:	Date:
Catalog Number:	Type:

Product Dimensions

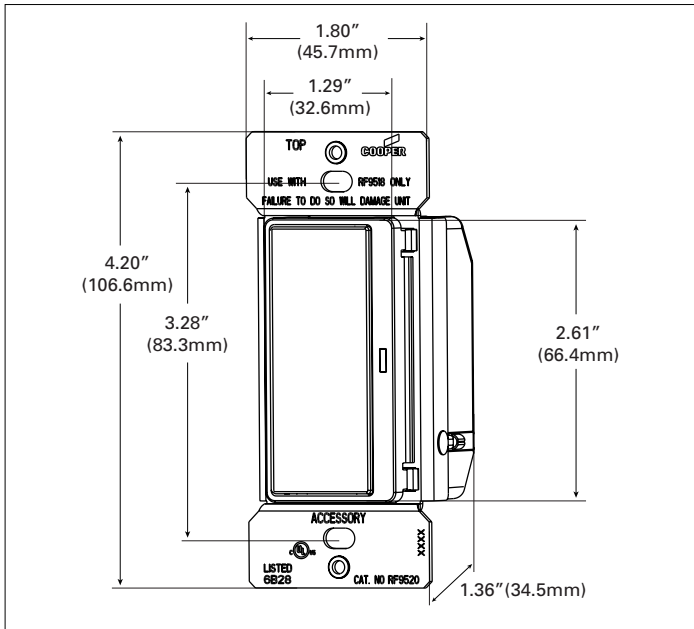
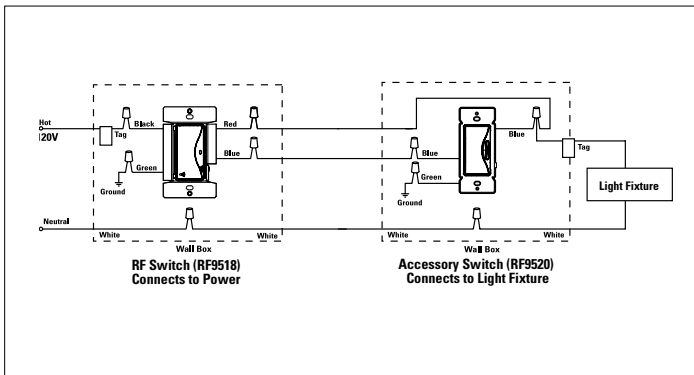
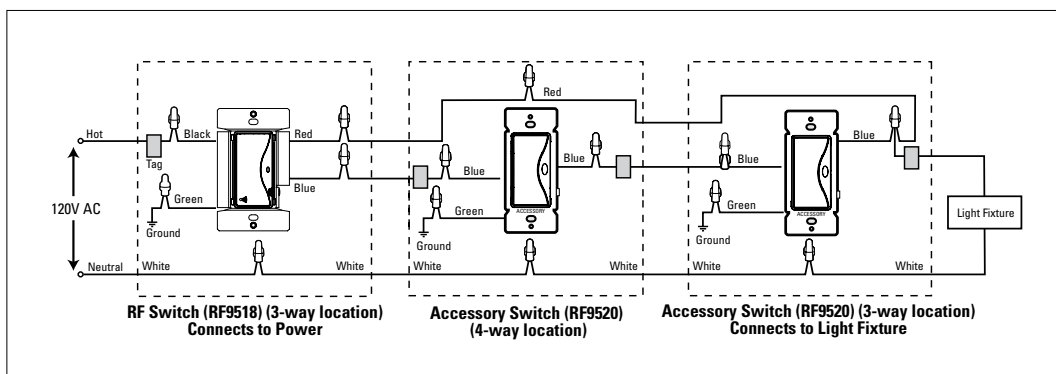


Figure 1. RF9520

3-Way Wiring Diagram





4-Way Wiring Diagram



Project Name:	Prepared By:
Project Number:	Date:
Catalog Number:	Type:

Certifications & compliances

Catalog No.		
RF9520	•	•

KEY:  cULus  NOM

Related Products

Aspire RF controllers



RFHDCSG, RFTDCSG, RFWC5WS

Aspire RF products



RF9518DBK, RF9534DW, RFTR9505-TDS

Aspire products



9566TRWS, 9544DS, 9521WS

Compliances, specifications and availability are subject to change without notice.

Electrical Sector
203 Cooper Circle
Peachtree City, GA 30269
United States
Eaton.com
Eaton.com/wiringdevices

Electrical Sector
Canada Operations
5925 McLaughlin Road
Mississauga, Ontario, L5R 1B8
Canada
EatonCanada.ca
Eaton.com/wiringdevices

Electrical Sector
Mexico Operations
Carr. Tlalnepantla -
Cuautitlan Km 17.8 s/n
Col. Villa Jardin esq.
Cerrada 8 de Mayo
Cuautitlan, Mexico CP 54800
Mexico
Eaton.mx
Eaton.com/wiringdevices

Eaton
1000 Eaton Boulevard
Cleveland, OH 44122
United States
Eaton.com

© 2018 Eaton
All Rights Reserved
Printed in USA
Publication No. TD610085EN
February 2018

Eaton is a registered trademark.
All other trademarks are property
of their respective owners.