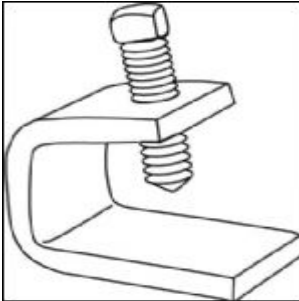




Site Search:  >>

Home About Us Products Price Lists Library ERICO Partners Software & Downloads Contact Us

You are here: [ERICO International](#) : [Products](#) : [ERISTRUT® Strut and Accessories](#) : [Strut Fasteners](#) : CADDY® [Change Country](#)  
 Beam Clamps for Strut



**CADDY® Beam Clamps for Strut**



[Where to buy](#) [Printer friendly](#)

ERICO offers the CADDY Beam Clamps for Strut.

Supporting Information

CADDY Electrical and Low Voltage/Datacomm Fasteners 2007

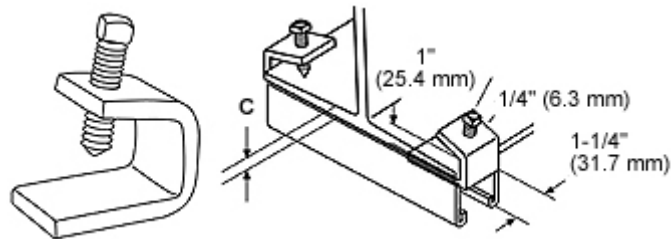
Features

Applications

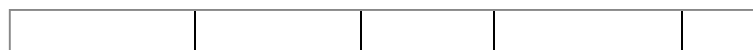
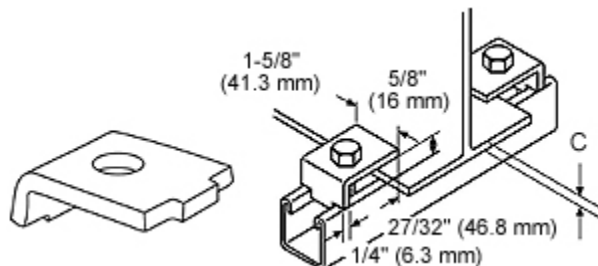
A variety of beam clamps offered for all types of strut applications.

More Information

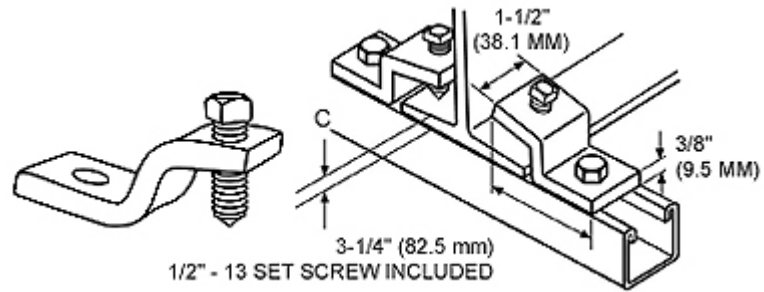
Product Available In:  
 North America  
 Latin America



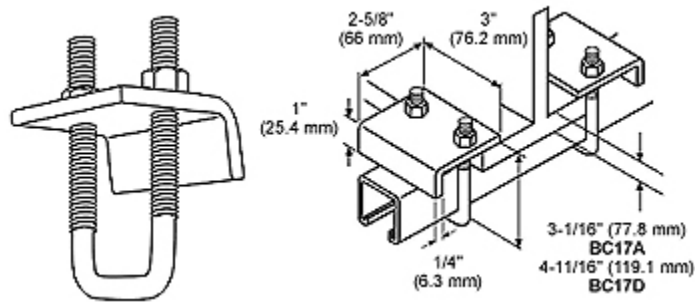
Catalog Number	m	C MAX		Coating	Std Box Qty	Lbs
		in	mm			
BC180037EG	3/8" - 16	1"	25	EG	25	660
BC180050EG	1/2" - 13	1"	25	EG	25	660



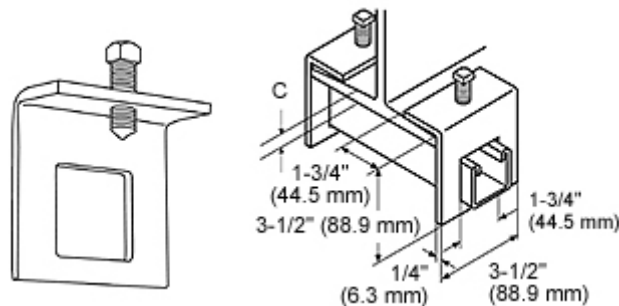
Catalog No.	C MAX		Coating	Std Box Qty	Lbs
	in	mm			
BC200000EG	1/2"	13	EG	50	460



Catalog No.	C MAX		Coating	Std Box Qty	Lbs
	in	mm			
BC210000EG	1"	25	EG	25	460



Catalog No.	C MAX		Coating	Std Box Qty	Lbs
	in	mm			
BC17A000EG	3/4"	20	EG	25	1200
BC17D000EG	3/4"	20	EG	25	1200
BC17PL00EG	Plate Only				



Catalog No.	C MAX		Coating	Std Box Qty	Lbs*
	in	mm			
BC16A000EG	7/8"	22	EG	20	740

\*When Used in Pairs

C = Flange Size

Copyright © 2008 ERICO International Corporation. [Privacy and Legal Statements](#) · [Top of Page](#)