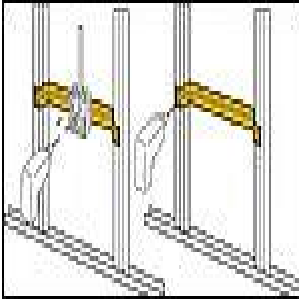


Site Search: >>
[Home](#) [About Us](#) [Products](#) [Price Lists](#) [Library](#) [ERICO Partners](#) [Software & Downloads](#) [Contact Us](#)

You are here: [ERICO International](#) : [Products](#) : [CADDY® Fasteners - Electrical](#) : [Stud Wall](#) : CADDY® Screw Gun Box Bracket - For Between Studs [Change Country](#)



▶ CADDY® Screw Gun Box Bracket - For Between Studs


[Where to buy](#) [Printer friendly](#)

ERICO offers the CADDY Screw Gun Box Bracket for between Studs.

Supporting Information

- [CADDY Electrical and Low Voltage/Datacomm Fasteners 2007](#)
- [CADDY SGB demo video \(Apple iPod\)](#)
- [CADDY SGB demo video \(Windows Media Player\)](#)
- [CADDY TSGB demo video \(Apple iPod\)](#)
- [CADDY TSGB demo video \(Windows Media Player\)](#)

Related Products

- [CADDY® Combination Push-in Wall Clips WC812](#)
- [CADDY® Conduit Support](#)
- [CADDY® TPC Tube & Pipe Clamp](#)

Product Available In:

North America
Latin America
Europe/Middle East/Africa

Features

- | Can mount multiple 1-1/2" or 2-1/8" deep boxes
- | Notched and marked for easy identification and bending
- | Improved design with stamped inch markings and pilot holes accelerates precise box and conduit mounting between studs
- | Pilot holes allow easy box attachment with a screwdriver
- | Requires only a screw gun to install
- | Eliminates movement of the box when used with flexible conduit, ENT®, MC, AC or ROMEX®
- | Can be mounted on face or inside of stud
- | No more time-consuming field fabrication with scrap floor track

SGB (Preset)

- | Preset for studs 16" or 24" on center
- | Can be pre-assembled by the contractor to allow for greater production at the job site

TSGB (Adjustable)

- | Adjustable for non-standard stud spacing
- | Unique, one-piece, break-apart design
- | Interlocking tab prevents accidental disassembly

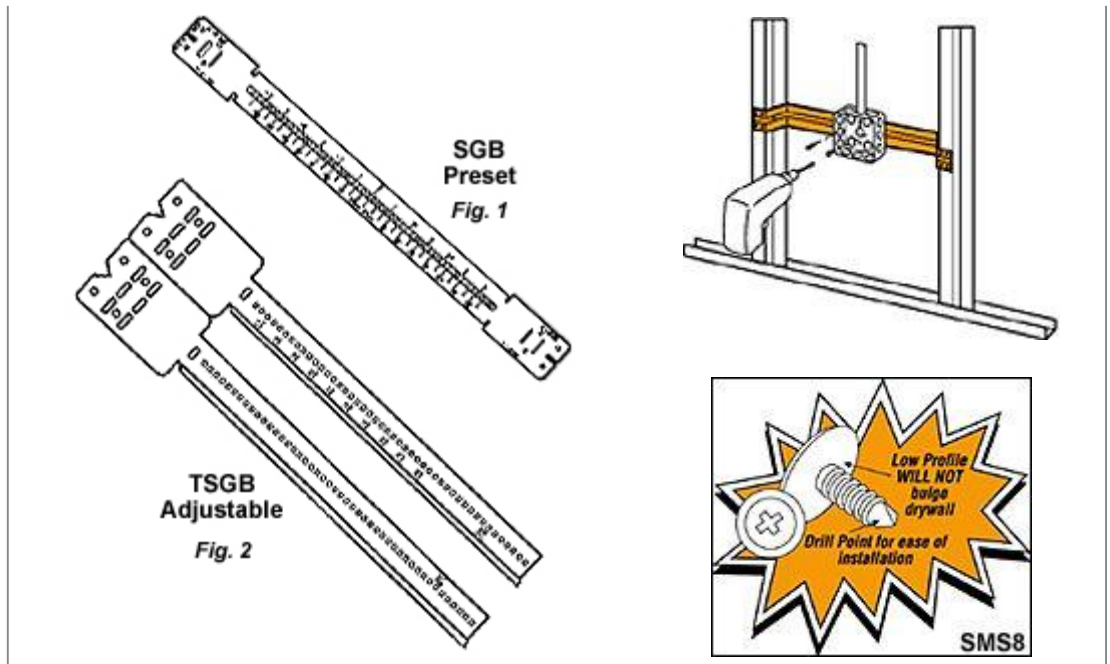
Applications

Preset Screw Gun Box Bracket for studs 16" or 24" on center.

Adjustable Screw Gun Box Bracket for non-standard stud spacing.

More Information





Catalog No.	Fig No.	Description	Stud Spacing	Box Depth
SGB16†	1	Preset	16" OC	1-1/2" or 2-1/8"
SGB24A††	1	Preset	24" OC	1-1/2" or 2-1/8"
TSGB16*	2	Adjustable	11" to 18"	1-1/2" or 2-1/8"
TSGB24*	2	Adjustable	17" to 26"	1-1/2" or 2-1/8"

Quantity 50 per box.

† Replaces SGB16 & SGB16D

†† Replaces SGB24 & SGB24D

*Preassembled brackets available - contact factory