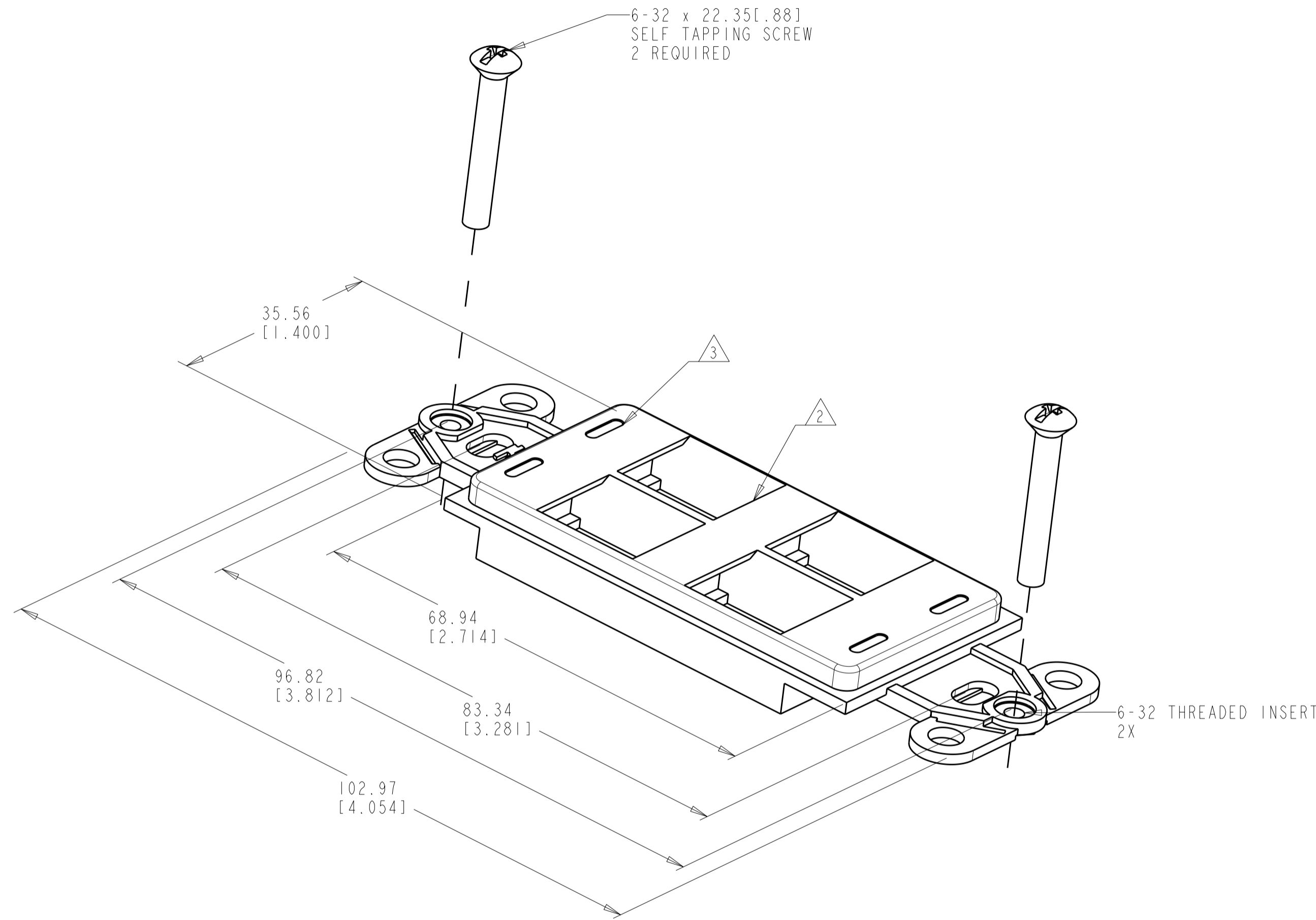


THIS DRAWING IS UNPUBLISHED. RELEASED FOR PUBLICATION 20  
 © COPYRIGHT 20 BY TYCO ELECTRONICS CORPORATION. ALL RIGHTS RESERVED.

| LOC |     | DIST                |           | REVISIONS |      |  |  |
|-----|-----|---------------------|-----------|-----------|------|--|--|
| P   | LTR | DESCRIPTION         | DATE      | DWN       | APVD |  |  |
|     | A   | RLSD PER NSD 03-033 | 20JUN03   | LH        | GB   |  |  |
|     | B   | REV; ECO-09-018194  | 07AUG2009 | JB        | RA   |  |  |
|     |     |                     |           |           |      |  |  |



1. KIT SHIPPED WITH SCREWS NOT ASSEMBLED.
2. OPENINGS WILL ACCEPT AMP 110 CONNECT JACKS, SL SERIES JACKS, MT-RJ OUTLET JACKS AND 110 CONNECT OR SL SERIES MULTIMEDIA INSERTS.
3. SLOTS WILL ACCEPT AMP COLOR CODED ICONS.
4. DIMENSIONS ARE NOMINAL UNLESS OTHERWISE SPECIFIED.
5. MATERIAL: STRAP  
 ABS MOLDING COMPOUND. SEE TABLE FOR COLOR.  
 SCREWS - ZINC PLATED CARBON STEEL.  
 THREADED INSERT - STAINLESS STEEL.

|                |             |
|----------------|-------------|
| ELECTRIC IVORY | 1-1479504-1 |
| NEMA GRAY      | 1479504-4   |
| WHITE          | 1479504-3   |
| BLACK          | 1479504-2   |
| LT. ALMOND     | 1479504-1   |
| COLOR          | PART NO.    |

| DIMENSIONS: |  | TOLERANCES UNLESS OTHERWISE SPECIFIED: |    | DWN              |         | Tyco Electronics                       |           | AMP Incorporated |               |
|-------------|--|----------------------------------------|----|------------------|---------|----------------------------------------|-----------|------------------|---------------|
| MM [INCHES] |  | 0 PLC                                  | ±- | L HALL           | 20JUN03 | Harrisburg, PA 17105-3608              |           |                  |               |
|             |  | 1 PLC                                  | ±- | CHK G. BOWMAN    | 20JUN03 | KIT, MOUNTING STRAP, DECORATOR, 4 PORT |           |                  |               |
|             |  | 2 PLC                                  | ±- | APVD G. BOWMAN   | 20JUN03 |                                        |           |                  |               |
|             |  | 3 PLC                                  | ±- | PRODUCT SPEC     |         | SIZE                                   | CAGE CODE | DRAWING NO       | RESTRICTED TO |
|             |  | 4 PLC                                  | ±- | APPLICATION SPEC |         | A2                                     | 00779     | C-1479504        | -             |
|             |  | ANGLES                                 | ±- | WEIGHT           |         | CUSTOMER DRAWING                       |           |                  |               |
|             |  | FINISH                                 | ±- | SCALE            |         | SHEET 1 OF 1 REV B                     |           |                  |               |