

GENERAL PURPOSE TWO-DOOR FLOOR-MOUNT WITH QUARTER-TURN LATCHES, TYPE 4X



SPECIFICATIONS

- 14 gauge doors and 12 gauge body from Type 304 stainless steel
- Seams continuously welded and ground smooth
- Flange trough collar on all four sides of door openings
- Seamless foam-in-place one-piece gasket provides water-, oil- and dust-tight seal against contaminants
- Black die-cast quarter-turn latches with slotted insert provided on three sides of each door
- Concealed hinges provide 180-degree door opening and allow easy door removal and cleaning of hinge area
- Bolt-on 12-in.-high stainless steel floor stands
- Heavy-duty Type 316L stainless steel lifting eyes
- Collar studs on inside of enclosure back for mounting optional panels
- Removable centerpost for easy panel installation
- Bonding provisions on doors; grounding studs on body
- Data pocket is high-impact plastic attached with pressure-sensitive adhesive
- No interior stiffeners to obstruct component mounting
- Accessory mounting channel provided in enclosure top

FINISH

Stainless steel enclosures are unpainted. External surfaces of front, sides, top and bottom have a #4 finish. Interior welds are not finished. Optional mild steel panels are painted white. Optional conductive panels are available.

ACCESSORIES

- Electric Heaters
- PaneLite Enclosure Lights
- Panel Support Kit
- Panels for Type 3R, 4, 4X, 12 and 13 Enclosures
- Steel, Stainless Steel and Non-Metallic Window Kits

MODIFICATION AND CUSTOMIZATION

nVent HOFFMAN excels at modifying and customizing products to your specifications. Contact your local nVent HOFFMAN sales office or distributor for complete information.

BULLETIN: A4S2

INDUSTRY STANDARDS

UL 508A Listed; Type 3R, 4, 4X, 12; File No. E61997
 cUL Listed per CSA C22.2 No 94; Type 3R, 4, 4X, 12; File No. E61997

NEMA/EEMAC: Type 3R, 4, 4X, 12
 Number E61997

IEC 60529, IP66
 Meets NEMA Type 3RX requirements

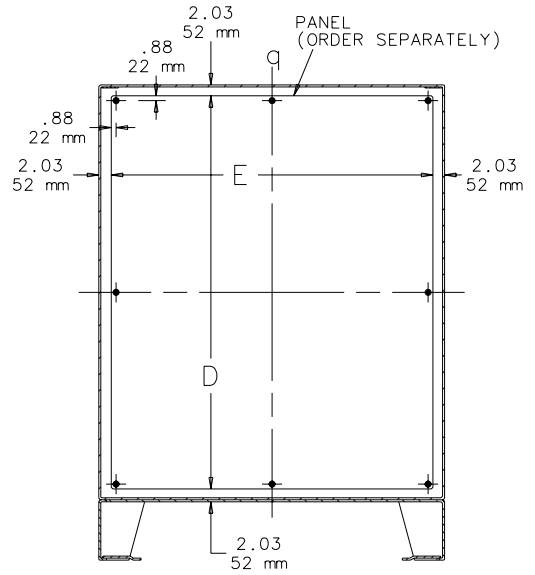
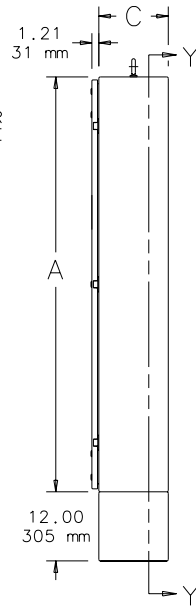
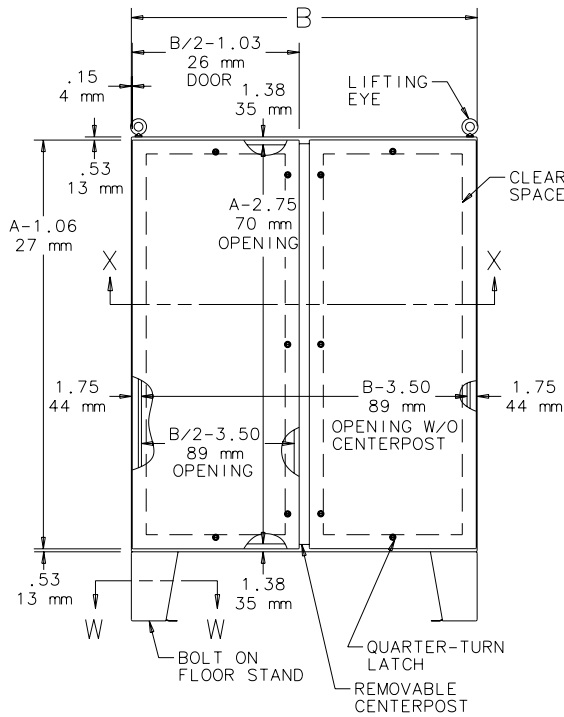
APPLICATION

This two-door stainless steel enclosure with quarter-turn latches is designed to house electronic controls and components. It provides protection from noncorrosive or mildly corrosive elements in both indoor and outdoor environments. Typical applications are in the food and beverage, packaging, water, petroleum and chemical processing industries.

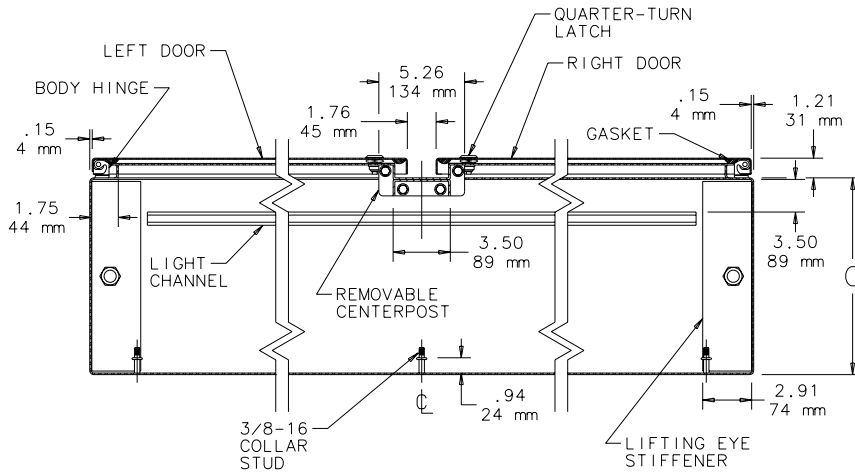
Standard Product

Catalog Number	AxBxC in./mm	Panel	Conductive Panel	Panel Size D x E in./mm	Number of Latches
A60H4812SSLPQT	60.06 x 48.06 x 12.06 1526 x 1221 x 306	A60P48	A60P48G	56.00 x 44.00 1422 x 1118	10
A60H6012SSLPQT	60.06 x 60.06 x 12.06 1526 x 1526 x 306	A60P60	A60P60G	56.00 x 56.00 1422 x 1422	10
A72H6012SSLPQT	72.06 x 60.06 x 12.06 1830 x 1526 x 306	A72P60	A72P60G	68.00 x 56.00 1727 x 1422	10
A72H7212SSLPQT	72.06 x 72.06 x 12.06 1830 x 1830 x 306	A72P72	A72P72G	68.00 x 68.00 1727 x 1727	10
A60H4818SSLPQT	60.06 x 48.06 x 18.06 1526 x 1221 x 459	A60P48	A60P48G	56.00 x 44.00 1422 x 1118	10
A60H6018SSLPQT	60.06 x 60.06 x 18.06 1526 x 1526 x 459	A60P60	A60P60G	56.00 x 56.00 1422 x 1422	10
A72H6018SSLPQT	72.06 x 60.06 x 18.06 1830 x 1526 x 459	A72P60	A72P60G	68.00 x 56.00 1727 x 1422	10
A72H7218SSLPQT	72.06 x 72.06 x 18.06 1830 x 1830 x 459	A72P72	A72P72G	68.00 x 68.00 1727 x 1727	10
A72H7224SSLPQT	72.06 x 72.06 x 24.06 1830 x 1830 x 611	A72P72	A72P72G	68.00 x 68.00 1727 x 1727	10

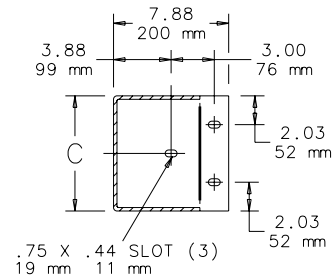
Purchase panels separately.



SECTION Y-Y



SECTION X-X



SECTION W-W

87780208