



► 2000 Series Models XEN1 and XEN4

Flameproof Strobe Lights

The 2000 Series Models XEN1 and XEN4 Xenon beacons are visual warning lights for use in hazardous locations that require ATEX approval. Model XEN1 is a strobe light that contains a single xenon flashing tube. This makes it ideally suited for use in indoor explosion-proof areas that require compliance to European electrical safety directives.

Model XEN4 is a strobe light that utilizes four strobe tubes, timed in a sequential manner, to simulate the operation of a mechanical rotating beacon. This four-strobe version is ideal in outdoor situations where a conventional beacon may not be adequate.

The 2000 Series Xenon beacon is sealed from dust and water by a nitrile rubber o-ring seal. All exterior cast aluminum surfaces are finished in powder coat paint and external hardware is manufactured from stainless steel to resist corrosion.

The 2000 Series Xenon beacon is externally powered by a DC or AC power source. Screw type terminal blocks are provided for field wiring on all units.

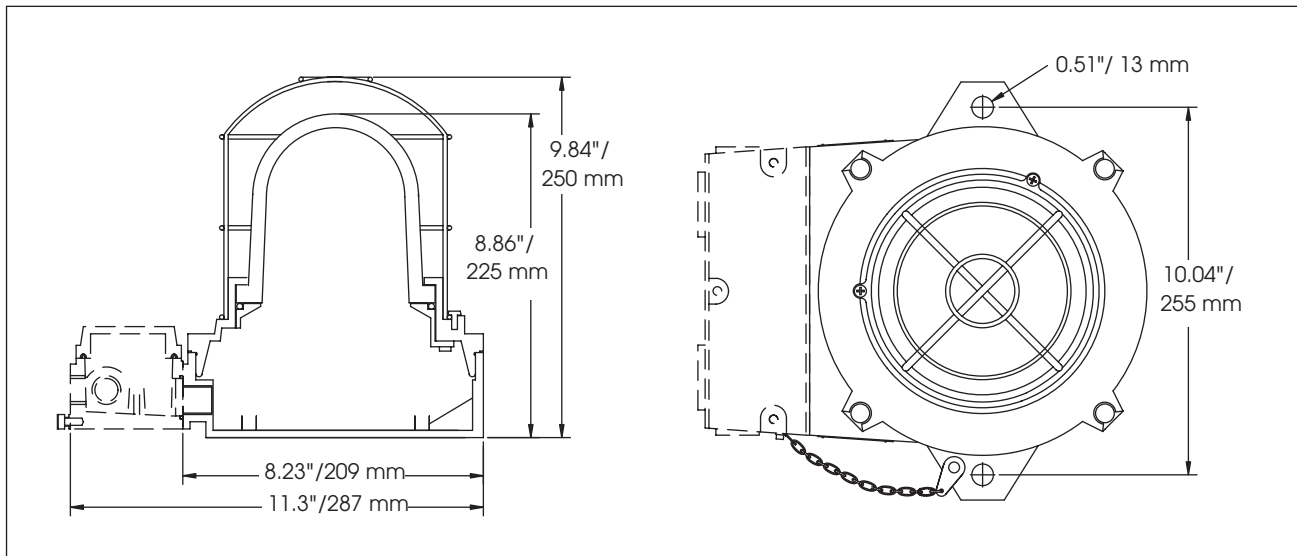
All variations of the 2000 Series Xenon beacon feature a four entry fixture to allow cable looping. These cable entries are metric (M20 X 1.5) but other configurations are available upon request.

FEATURES

- Single and four strobe tube models
- Internal fresnel lens (sold separately)
- Six dome colors: Amber, Blue, Clear, Green, Red and Yellow
- Ex de terminal chamber available
- AC and DC voltage ranges
- Approved for use in Zone 1, 2, 21, 22 Atmospheres
- Corrosion resistant powder coat finish
- Stainless steel external hardware
- Telephone ringer initiation option
- ATEX, IECEx and CE Certified

MODEL	VOLTAGE	OPERATING CURRENT	FLASH RATE/ MINUTE
XEN1	24VDC	0.93 amps	80
	48VDC	0.81 amps	80
	110VDC	0.61 amps	80
	110VAC	0.48 amps	80
	240VAC	0.38 amps	80
XEN4	24VDC	1.90 amps	N/A
	48VDC	1.22 amps	N/A
	110VDC	0.92 amps	N/A
	110VAC	0.53 amps	N/A
	240VAC	0.41 amps	N/A

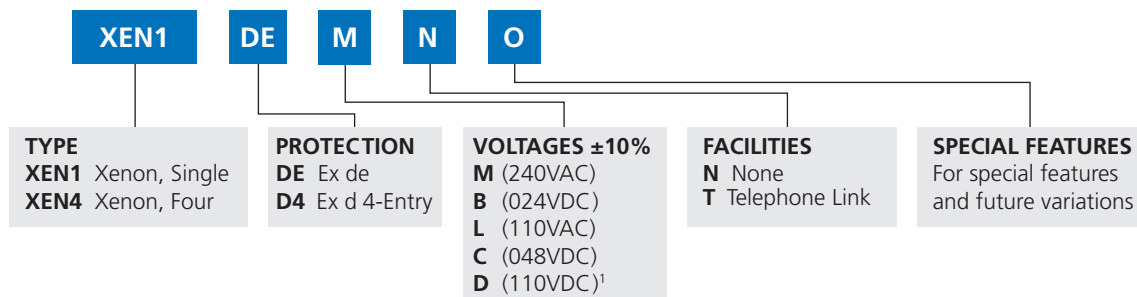
Explosion-Proof Strobe Lights (2000 Series XEN1/XEN4)



SPECIFICATIONS

Lamp Life:	5,000 Hours		Certification Marking:	Ex d IIB T4 Gb, Ex tb IIIB Db Ex de IIB T4 Gb, Ex tb IIIB Db	
Light Source:	Xenon		Terminals:	Ex d: 4 way block mounted PCB Ex de: 12 way block in terminal chamber	
Operating Temperature:			Cable entries:	Ex d: 4 entries - M20 x 1.5 Ex de: 4 entries - M20 x 1.5	
Ex d and Ex de:	-40°C to 158°F	-40°C to 70°C	Mounting:	Via fixed cast lugs at two mounting points	
Net Weight:			Body:	Marine Grade Alloy painted Regal Red	
Ex d:	13.23 lbs	6.0 kg	Exterior dome:	Toughened glass	
Ex de:	15.43 lbs	7.0 kg	Guard:	316 stainless steel	
Shipping Weight:	16.5 lbs	7.5 kg	Ingress Protection:	IP66	
Height:	9.84"	250 mm			
Width:	10.04"	255 mm			
Length:	8.23"	209 mm			
ATEX Certificate Number:	Baseefa 07ATEX0150				
IECEX Certificate Number:	IECEX BAS 07.0038				

HOW TO ORDER



Colored Xenon Lens Sold Separately:

Description	Part Number
Amber	A1131S
Blue	A1111S
Clear	A2133S
Green	A1198S
Red	A1779S
Yellow	A3410S

¹ Range 100VDC to 135VDC with xenon beacons (inclusive of ±10%).