

Antimicrobial Treated Devices



Introducing our new antimicrobial treated switches and wallplates

These devices are made with an antimicrobial additive that helps protect them from the growth of harmful bacteria. Antimicrobial treated devices are certified by NSF International to meet sanitation requirements for use in food handling and processing environments.

Wallplate Features

Stainless Steel wallplate treated with antimicrobial polyurethane powder coating

Mounting screws protected with antimicrobial polyurethane powder coating

Available in single- or double-gang configurations

Powder coating resists fingerprints and has been tested to ISO 7784.2 for durability

Common Applications

- Healthcare Facilities
- Educational Institutions
- Hospitality Facilities
- Commercial Kitchens
- Nurseries
- Bathrooms



Switch Features

- 20A, 120/277V AC
- Single pole and three-way functionalities
- Toggle material embedded with silver ion antimicrobial additive



*Switch and wallplate sold separately

Ordering Information

Toggle Switches		
Description	Cat. No.	Color
Single Pole	A1221-2W	White
	A1221-2I	Ivory
	A1221-2R*	Red
	A1221-GY*	Gray
3-Way	A1223-2W	White
	A1223-2I	Ivory
	A1223-2R*	Red
	A1223-GY*	Gray



Wallplates		
Description	Cat. No.	Color
1-Gang Toggle	84001-A40	Clear (Stainless Steel)
2-Gang Toggle	84009-A40	Clear (Stainless Steel)
1-Gang EMERGENCY Toggle	84001-E4A*	Clear (Stainless Steel)

* New additions.

Custom Engraving Available at leviton.com/antimicrobial

Antimicrobial Treated Devices from Leviton are manufactured by incorporating silver ions (Ag+) as the antimicrobial agent in the product material. This material has been tested to the international standard JIS Z 2801:2000 and has been shown to be 99.9% effective in reducing the growth of harmful bacteria.

Specifications

Toggle Switches

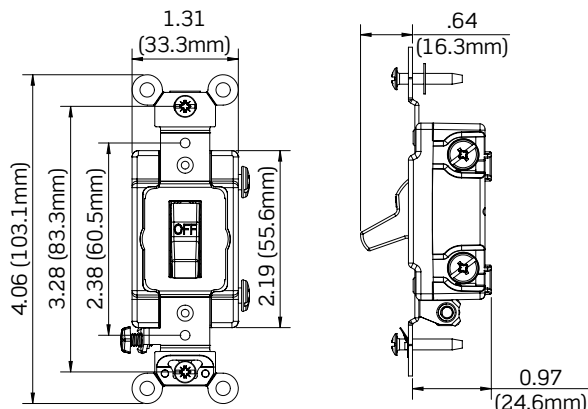
Catalog Number	Single Pole (A1221) & 3-Way Toggle (A1223)
Electrical Specifications	
Amperage	20A
Voltage	120/277V AC
Dielectric Voltage	Withstands 1500V for 1 minute
Overload UL 20	100 cycles of OL at 4.8 times rated current
Temperature Rise	Maximum 30° C rise
Endurance	50,000 cycles minimum
AC Horsepower Ratings	1 HP @ 120V, 2 HP @ 240V, 16A Max.
Environmental Specifications	
Flammability	UL 94 HB Flammability Rating
Operating Temperature	-40°C to 65°C
Storage Temperature	-40°C to 65°C
Material Specifications	
Base	Thermoplastic
Cover	Thermoplastic
Strap	.050" Thick Galvanized Steel
Toggle	Antimicrobial Urea
Contacts	Silver Alloy
Terminal Screws	Brass 8-32
Grounding Screw	Galvanized Steel 8-32
Ground Clip	Brass
Mechanical Specifications	
Terminal Accom.	#14-#10 AWG back wired; #14-#12 AWG side wired
Terminal Screw Torque Range	12-14 inch pounds
Terminal ID	Brass-Hot, Black-Hot, White-Neutral, Green-Gnd
Product ID	Ratings are permanently marked on device
Standards & Certifications	
NEMA	WD-1, WD-6
NSF	169 - Special Purpose Food Equipment and Devices
UL Fed Spec WS896	File # E7458
UL Standard	UL 20
CSA C22.2 No 111	File # 152105
NOM	NOM-ANCE
JIS Z 2801:2000	Test for Antimicrobial Activity and Efficacy
ISO 22196	Measurement of Antibacterial Activity on Plastics and Other Non-Porous Surfaces
Warranty	
Product Warranty	10-Year Limited

Wallplates

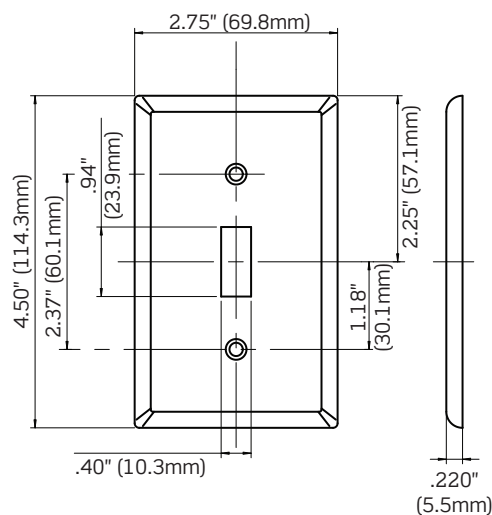
Catalog Number	1-Gang Toggle (84001) & 2-Gang Toggle (84009)
Material Specifications	
Material	Stainless Steel coated with Antimicrobial Polyurethane Powder Coating
Standards & Certifications	
UL Standard	UL 514D
NSF	169 - Special Purpose Food Equipment and Devices
CSA	CSA C22.2 No. 42.1-13
JIS Z 2801:2000	Test for Antimicrobial Activity and Efficacy
ISO 22196	Measurement of Antibacterial Activity on Plastics and Other Non-Porous Surfaces
Warranty	
Product Warranty	10-Year Limited

Dimensions

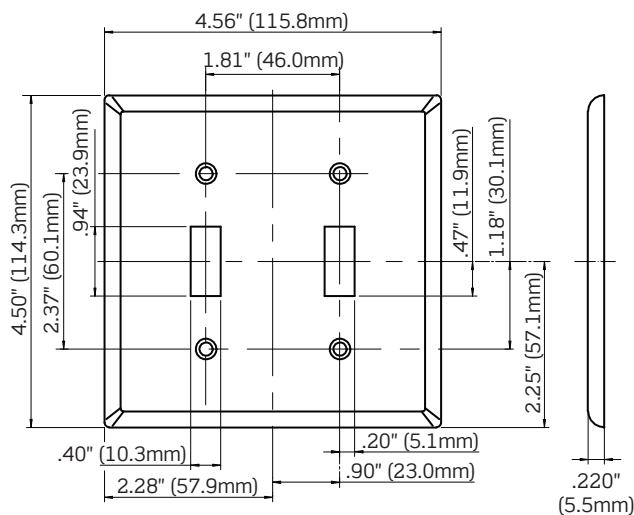
Front & Side View, Single Pole & 3-Way Toggles



Front & Side View, 1-Gang Wallplates



Front & Side View, 2-Gang Wallplates



Visit our Website at:

www.leviton.com/antimicrobial

email: antimicrobial@leviton.com

Q-911A

042817

Leviton Manufacturing Co., Inc.

201 N Service Rd, Melville, NY 11747

Telephone: 1-800-323-8920 • FAX: 1-800-832-9538

Tech Line (8:30AM-7:30PM E.S.T. Monday-Friday): 1-800-824-3005

© 2015 Leviton Manufacturing Co., Inc. All rights reserved.

